

**SECTION H - TABLE OF CONTENTS**

**Section H Contents:**

Table Lifts & Sit-To-Stand  
 Workstation.....2 - 3  
 Monitor Arms & Outlet Strips..... 4 - 5  
 Standoffs..... 6 - 7  
 Grommets..... 8 - 18  
 Wire Channels.....19  
 Pull-Out Keyboard Arms & Trays.....20 - 22  
 Pencil Drawer Pull-Outs  
 & CPU Holders..... 23  
 Record Dividers  
 & CD Storage Trays..... 24  
 Pocket Door Slides.....25 - 28



↑ Grommets H-8 - H-18



↑ Grommet Outlet Strip H-8



← Monitor Arms H-4



↑ Trash Grommets H-16 - H-17



↑ Table Lift H-2



↓ Sit-To-Stand Workstations H-3



Keyboard → Arms & Trays H-20 - H-22



↑ Outlet Strips H-4 - H-5



↑ Pocket Door Slides H-25 - H-28

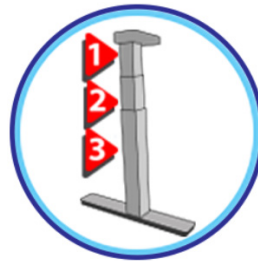
- A
- B
- C
- D
- E
- F
- G
- H**
- I
- J
- K
- L
- M
- N
- O
- P
- Q
- R
- S
- T
- U
- V
- W
- X
- Y

A  
B  
C  
D  
E  
F  
G  
H  
I  
J  
K  
L  
M  
N  
O  
P  
Q  
R  
S  
T  
U  
V  
W  
X  
Y

## PRO TABLE LIFTS

### PRO Table Lift 2-Leg/3-Sections Height Adjustment: 22.84"H - 48.63"H

- Total Weight Capacity: 285 Lbs.
- LED Display that shows the exact height in inches
- Collision Sensors (detect obstructions when raising or lowering the table)
- Height Adjustment Range: 25.79"
- Lowest position 22.84" / Highest position 48.63"
- Width Range: 43.31" - 63"
- Foot Length: 27.5"
- Shipping Weight: 61.7 Lbs.
- Number of leg sections: 3
- 3-Programmable Positions
- Non-scratch glides & casters
- 2-Motors built into legs
- Leg Profile: Rectangular
- Available in Gray or Black



3-Section Mechanisms



**PRO**  
VALUE SERIES

**5 YEAR**  
LIMITED  
WARRANTY

c **UL** US  
LISTED

**BIFMA**

**ANSI**

Item#	Description	Finish
SZSHLTM2L275-GA2M	Table Lift w/2-Legs & 3-Sections, Height Adj: 22.84"H - 48.63"H	Gray
SZSHLTM2L275-NR2M	Table Lift w/2-Legs & 3-Sections, Height Adj: 22.84"H - 48.63"H	Black

### PRO Table Lift 2-Leg/2-Sections Height Adjustment: 26.56"H - 46.25"H

- Total Weight Capacity: 285 Lbs.
- User can preset up to 4 different heights, LED height readout
- Height Adjustment Range: 19.69"
- Lowest position 26.56" / Highest position 46.25"
- Width Range: 46.56" - 63"
- Foot Length: 25.5"
- Shipping Weight: 70.5 Lbs.
- Number of leg sections: 3
- 3-Programmable Positions
- Non-scratch glides & casters
- 2-Motors built into legs
- Leg Profile: Rectangular
- Available in Gray or Black



2-Section Mechanisms



**PRO**  
VALUE SERIES

**5 YEAR**  
LIMITED  
WARRANTY

c **UL** US  
LISTED

**BIFMA**

**ANSI**

Item#	Description	Finish
SZAOLTM2L-GAEL	Table Lift w/2-Legs & 2-Sections, Height Adj: 26.56"H - 46.25"H	Gray
SZAOLTM2L-NREL	Table Lift w/2-Legs & 2-Sections, Height Adj: 26.56"H - 46.25"H	Black

**PRO DESKTOP SIT-TO-STAND WORKSTATION & ANTI-FATIGUE MAT**

A  
B  
C  
D  
E  
F  
G  
H  
I  
J  
K  
L  
M  
N  
O  
P  
Q  
R  
S  
T  
U  
V  
W  
X  
Y



**PRO Desktop Sit-To-Stand Workstation**

- Total Weight Capacity: 33 Lbs.
- Sit-To-Stand workstation adaptable to existing furniture
- Height Adjustment Range: 5.875”H - 19.6875”H
- No holes required on the top of the original desk
- Support groove for smart phone and tablet
- Shipping Weight: 50 Lbs.
- Easy to operate, 15 height options
- Raises vertically
- Sturdy steel structure
- Top Size: 26.77”W x 22.83”D
- Keyboard Size: 26.77”W x 12.79”D



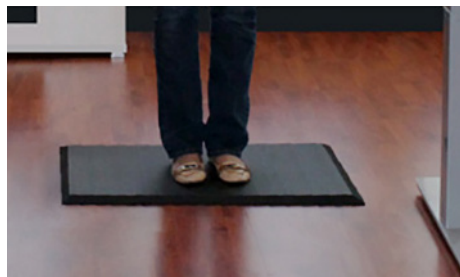
Item#	Description	Finish
SZLTPLUS-NR	Desktop Sit-To-Stand Workstation	Black

**PRO Anti-Fatigue Mat**



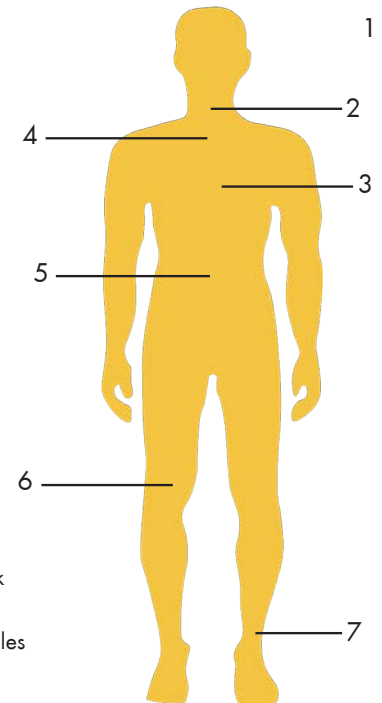
The mat’s beveled edge is designed to avoid tripping and its textured surface is designed to be antiskid on both sides.

- Made of rubberized gel foam
- Great for people who work at offices, workshops, hospitals and cash registers
- Perfect for residential or commercial use



**Benefits of Using the Anti-Fatigue Mat: →**

1. Reduces migraines and headaches
2. Eases stiffness of neck and shoulders
3. Stimulates blood circulation
4. Minimizes pressure of the spine and strains of the back
5. Relieves lower back pain
6. Requires less energy to support the back and leg muscles
7. Reduces heel and ankle pain



Item#	Description	Finish
SZLTACCASM50X90-NR	Anti-Fatigue Mat, 34-1/2”W x 20”L x 11/16”Thick	Black

**A PRO MONITOR ARMS & OUTLET STRIPS**

**PRO Single & Double Monitor Arms with 2 USB Ports**



**Single Monitor Arm**

- Total Weight Capacity: 11 Lbs.
- Screen Size: 10"-27"
- 2-USB Ports
- Installation: Grommet Mount or Side Mount
- The gas spring allows tilt in any position
- Swivel: 360°
- Shipping Weight: 9.5 Lbs.



**Double Monitor Arm**

- Total Weight Capacity: 11 Lbs. (Each Arm)
- Screen Size: 10"-27"
- 2-USB Ports
- Installation: Grommet Mount or Side Mount
- The gas spring allows tilt in any position
- Swivel: 360°
- Shipping Weight: 12.85 Lbs.



Item#	Description	Finish
SZDTM502USB-NR	Single Screen Monitor Arm Mount	Black
SZDTM502DBLUSB-NR	Double Screen Monitor Arm Mount	Black

**PRO Pivoting Outlet | Data Strip | Recess Mount**



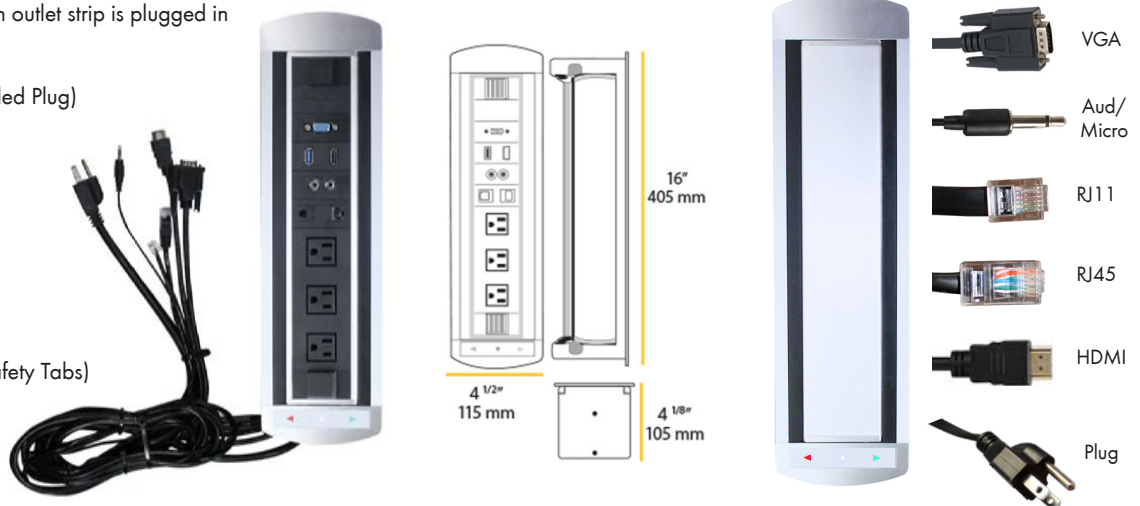
- Hide Outlets by pressing "red arrow button"
- Specifications: 125Volts AC / 60Hz / 15Amps
- Light Indicator is "on" when outlet strip is plugged in

**Included Cords:**

- 1-72" Power Cord (Grounded Plug)
- 1-Male VGA Cord
- 1-RJ45 Cord
- 1-RJ11 Cord
- 1-HDMI Cord
- 1-Audio/Microphone Cord

**Included Outlets:**

- 3-Sockets (Grounded w/Safety Tabs)
- 1-USB Port (1 Amp)
- 1-Female VGA Port
- 1-HDMI Port
- 2-Audio/Microphone Ports
- 1-RJ45 Port
- 1-RJ11 Port



Item#	Description	Finish
SZART918PBEL-MF	Pivoting Outlet/Data Strip, Recess Mount	Black

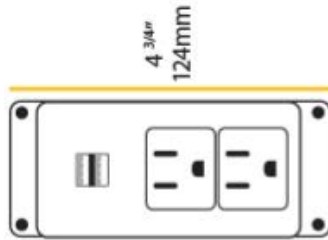
## PRO OUTLET STRIPS

### PRO Outlet Strips | Sockets & USB Ports



#### Outlet Strip / Surface Mount / 2-Sockets & 2-USB Ports (1 Amp Each)

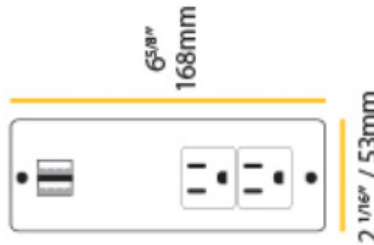
- Specifications: 125Volts AC / 60GHz / 12Amps
- Grounded Plug & 2-Sockets Grounded
- 2-USB Ports (1Amp Each)
- 120" Power Cord



Item#	Description	Finish
SZ918PB2SURF-2U	Outlet Strip, Surface Mount, 2-Sockets & 2-USB Ports	Black

#### Outlet Strip / Recess Mount / 2-Sockets & 2-USB Ports (1 Amp Each)

- Specifications: 125Volts AC / 60GHz / 12Amps
- Grounded Plug & 2-Sockets Grounded
- 2-USB Ports (1Amp Each)

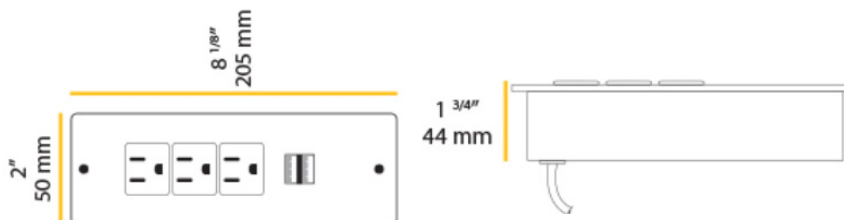


Item#	Description	Finish
SZ918PB22U-2A	Outlet Strip, Recess Mount, 2-Sockets & 2-USB Ports	Black



#### Outlet Strip / Recess Mount / 3-Sockets & 2-USB Ports (1 Amp Each)

- Specifications: 125Volts AC / 60GHz / 12Amps
- Grounded Plug & 3-Sockets Grounded
- 2-USB Ports (1Amp Each)



Item#	Description	Finish
SZ918PB22U-2A	Outlet Strip, Recess Mount, 2-Sockets & 2-USB Ports	Black



A  
B  
C  
D  
E  
F  
G  
H  
I  
J  
K  
L  
M  
N  
O  
P  
Q  
R  
S  
T  
U  
V  
W  
X  
Y

A  
B  
C  
D  
E  
F  
G  
H  
I  
J  
K  
L  
M  
N  
O  
P  
Q  
R  
S  
T  
U  
V  
W  
X  
Y

**PRO STANDOFFS**

**PRO Privacy Panel Standoffs**



A



B



C



D



E



F

	Item#	Description	Installation	Application	Finish
A	SZB3322-BSN	Double Sided Standoff, adjustable width for panels up to 5/8" thick	Installs on the edges between two 1" thick surfaces	Mounted Between Two Desks	Brushed Nickel
B	SZB3322-GA	Double Sided Standoff, adjustable width for panels up to 5/8" thick	Installs on the edges between two 1" thick surfaces	Mounted Between Two Desks	Gray
C	SZB3321-BSN	Single Side Standoff, adjustable width for panels up to 5/8" thick	Installs on the edge of a 1" thick surface	Mounted on the Side of a Desk	Brushed Nickel
D	SZB3321-GA	Single Side Standoff, adjustable width for panels up to 5/8" thick	Installs on the edge of a 1" thick surface	Mounted on the Side of a Desk	Gray
E	SZB3320-BSN	Top/Bottom Mount Standoff, adjustable width for panels up to 5/8" thick	Installs on the top or bottom of a surface	Top or Bottom of a Desk	Brushed Nickel
F	SZB3320-GA	Top/Bottom Mount Standoff, adjustable width for panels up to 5/8" thick	Installs on the top or bottom of a surface	Top or Bottom of a Desk	Gray

**PRO STANDOFFS**



Installed up

Installed down

**L-Shaped Standoff**



- Decorative standoffs with quality finishes for a sophisticated look
- Can be used to install a privacy panel
- Adj. width for panels from 1/4" - 5/8" thick
- Can be installed up or down



Brushed Nickel

Gray

Item#	Description	Finish
SZB3323-BSN	L-Shaped Standoff, adjustable width for panels from 1/4" - 5/8" thick	Brushed Nickel
SZB3323-GA	L-Shaped Standoff, adjustable width for panels from 1/4" - 5/8" thick	Gray



**Round Standoff**



- Decorative standoffs with quality finishes for a sophisticated look
- Can be used to install signs on the wall
- Adj. width for panels up to 15/32" thick

Item#	Description	Finish
SZBF311902254MC	Round Standoff, 3/4" Diameter x 1"H	Matte Chrome
SZBF313002254MC	Round Standoff, 1-1/16" Diameter x 1"H	Matte Chrome



**Half Moon Standoff**



- Decorative standoffs with quality finishes for a sophisticated look
- Can be used to install a privacy panel
- Adj. width for panels up to 1/4" thick

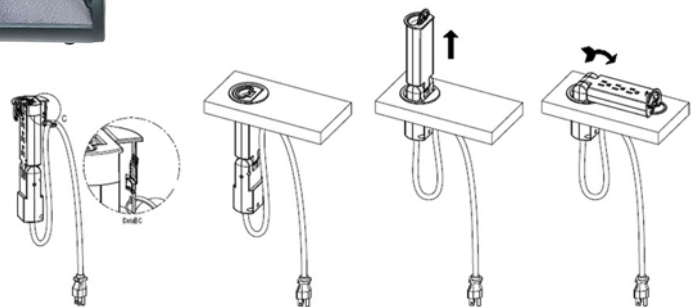
Item#	Description	Finish
SZ8910BSN-UP	Half-Moon Shaped Standoff, Top Mount	Brushed Nickel

A  
B  
C  
D  
E  
F  
G  
H  
I  
J  
K  
L  
M  
N  
O  
P  
Q  
R  
S  
T  
U  
V  
W  
X  
Y

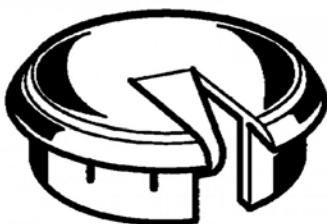
**A PRO GROMMET OUTLET STRIPS**

**PRO Grommet Outlet Strip**

- Specifications: 125Volts AC / 60Hz / 15Amps
- 4-Sockets (with Surge Protection)
- 2-USB Ports (1Amp Each)
- 120"L Power Cord
- Bore Hole: 60mm Diameter



Item#	Description	Finish
SZ918PBGROM32U-NR	Grommet Outlet Strip, Recess Mount, 60mm Diameter Hole	Black



**One Piece Plastic, 1" Bore Hole**

- 1/4" Liner depth
- 1-1/4" Overall diameter
- Cap has pivot hinge hole for wire
- One piece design with integral cap and liner



<b>Item #</b>
PL6330BL



## ROUND PLASTIC GROMMETS



### Two Piece Plastic, 1-3/4" Bore Hole



- 2" Overall diameter
- Liner depth is 3/4"
- Overlapping trim edge with smooth finish
- Cap has built-in permanent wire hole

Color	Hole Liner Item #	Hole Liner & Cap Item #
White	PL6320WH	PL6325WH
Black	PL6320BL	PL6325BL



### Two Piece Plastic, 2" to 2-1/2" Bore Hole



- Cap has permanent wire hole cutout
- Two colors with smooth finish
- Liner depth: 5/8"
- Cap and liner included

Color	Bore Hole Dia.: 2" Overall Dia.: 2-1/2"	Bore Hole Dia.: 2-3/8" Overall Dia.: 2-7/8"	Bore Hole Dia.: 2-1/2" Overall Dia.: 3"
White	PL6730WH	-	PL6740WH
Black	PL6730BL	PL6737BL	PL6740BL



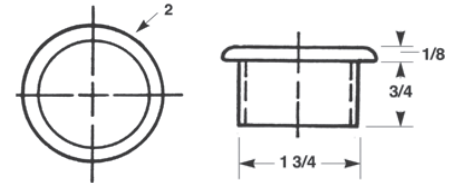
### Two Piece Plastic, 1-3/4" Bore Hole



- Grommet hole liner and cover cap sold separately
- Available in two types of cover caps. With and without wire holes.

Packing: Box quantities of 10 & 100.

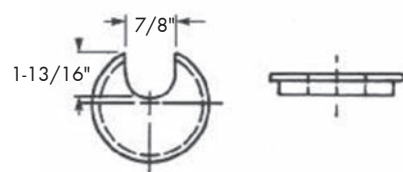
Sold In: Full box quantities only.



Color	Grommet Hole Liner Hole Liner Depth: 3/4" Overall Dia.: 2"		Cover Cap With Wire Cut Out Designed To Go With 1-3/4" Hole Dia. Liner	
	Box Qty: 10	Box Qty: 100	Box Qty: 10	Box Qty: 100
Black	PGH403BL-X	PGH403BL	PGH785BL-X	PGH785BL
Gray	PGH403GY-X	-	PGH785GY-X	-
White	PGH403WH-X	-	PGH785WH-X	-

A  
B  
C  
D  
E  
F  
G  
H  
I  
J  
K  
L  
M  
N  
O  
P  
Q  
R  
S  
T  
U  
V  
W  
X  
Y

## ROUND PLASTIC GROMMETS



### Two Piece, 2-1/2" Bore Hole

- Plastic grommet hole liner and cover cap sold separately
- Cover cap has permanent wire hole cut out

Packing: Full box quantities of 10 & 100.

Sold In: Full box quantity only.



Color	Grommet Hole Liner Hole Liner Depth: 2-3/8" Overall Dia.: 3"		Cover Cap With Wire Cut Out Designed To Go With 2-1/2" Hole Dia. Liner	
	Box Qty: 10	Box Qty: 100	Box Qty: 10	Box Qty: 100
Almond	PGH404A-X	PGH404A	PGH786A-X	PGH786A
Beige	PGH404BG-X	PGH404BG	PGH786BG-X	PGH786BG
Black	PGH404BL-X	PGH404BL	PGH786BL-X	PGH786BL
Brass	PGH404BP-X	PGH404BP	PGH786BP-X	PGH786BP
Chrome	PGH404CP-X	PGH404CP	PGH786CP-X	PGH786CP
Gray	PGH404GY-X	PGH404GY	PGH786GY-X	PGH786GY
Dark Brown	PGH404WAL-X	PGH404WAL	PGH786WAL-X	-
White	PGH404WH-X	PGH404WH	PGH786WH-X	PGH786WH



### Two Piece Plastic, 3/4" To 4" Bore Hole

- Cap has permanent cut out for wires
- 5/8" depth (Bore hole diameter of 4" has 3/4" depth)
- Available in eight sizes from 3/4" bore hole depth dia. to 4" bore hole dia.

Packing: Cap and liner sold together. Full box quantities of 5 & 10.



Color	Inside Dia.: 9/16" Bore Hole Dia.: 3/4" O.A. Dia.: 1" Full Box Qty: 10	Inside Dia.: 13/16" Bore Hole Dia.: 1" O.A. Dia.: 1-5/16" Full Box Qty: 5	Inside Dia.: 1-5/16" Bore Hole Dia.: 1-1/2" O.A. Dia.: 1-3/4" Full Box Qty: 10	Inside Dia.: 1-9/16" Bore Hole Dia.: 1-3/4" O.A. Dia.: 2" Full Box Qty: 10
Black	MQAG3BK	MQOG3BK	MQBG3BK	MQSG3BK
Light Gray	-	-	MQBG3LG	MQSG3LG
Putty	MQAG3PY	MQOG3PY	MQBG3PY	MQSG3PY
White	MQAG3WH	MQOG3WH	MQBG3WH	MQSG3WH
Pol. Brass Plated	-	-	MQBG5BR	MQSG5BR
Pol. Chrome Plated	-	-	MQBG5CH	MQSG5CH

Color	Inside Dia.: 1-7/8" Bore Hole Dia.: 2" O.A. Dia.: 2-3/8" Full Box Qty: 5	Inside Dia.: 2-9/32" Bore Hole Dia.: 2-1/2" O.A. Dia.: 3" Full Box Qty: 5	Inside Dia.: 2-13/16" Bore Hole Dia.: 3" O.A. Dia.: 3-1/2" Full Box Qty: 5	Inside Dia.: 3-7/8" Bore Hole Dia.: 4" O.A. Dia.: 4-1/2" Full Box Qty: 5
Black	MQTG3BK	MQEDP3BK	MQXG3BK	MQZG3BK
Light Gray	MQTG3LG	MQEDP3LG	MQXG3LG	MQZG3LG
Putty	MQTG3PY	MQEDP3PY	MQXG3PY	MQZG3PY
White	MQTG3WH	MQEDP3WH	MQXG3WH	MQZG3WH
Pol. Brass Plated	MQTG5BR	MQEDP5BR	MQXG5BR	-
Pol. Chrome Plated	MQTG5CH	MQEDP5CH	MQXG5CH	-

## ROUND PLASTIC GROMMETS



### Two Piece Plastic, 3/4" To 3" Bore Hole

- Cap has pivot hinge hole for wire
- Cap and liner sold together



Color	Bore Hole Dia.	Hole Liner Depth	Overall Dia.	Item #
Black	3/4"	5/8"	1"	PL6605BL
White	1"	5/8"	1-1/4"	PL6610WH
Black	1"	5/8"	1-1/4"	PL6610BL
Black	1-1/4"	5/8"	1-1/2"	PL6615BL
White	1-1/4"	5/8"	1-1/2"	PL6615WH
White	1-1/2"	5/8"	1-3/4"	PL6620WH
Black	1-1/2"	5/8"	1-3/4"	PL6620BL
White	1-3/4"	1"	2"	PL6626WH
Black	1-3/4"	1"	2"	PL6626BL
White	2"	5/8"	2-1/4"	PL6630WH
Black	2"	5/8"	2-1/4"	PL6630BL
Gray	2"	5/8"	2-1/4"	PL6630GY
Almond	2"	5/8"	2-1/4"	PL6630A
Brown	2"	5/8"	2-1/4"	PL6630BN
White	2-3/8"	5/8"	2-5/8"	PL6637WH
Black	2-3/8"	5/8"	2-5/8"	PL6637BL
White	2-1/2"	5/8"	2-3/4"	PL6640WH
Black	2-1/2"	5/8"	2-3/4"	PL6640BL
Gray	2-1/2"	5/8"	2-3/4"	PL6640GY
Almond	2-1/2"	5/8"	2-3/4"	PL6640A
Brown	2-1/2"	5/8"	2-3/4"	PL6640BN
White	3"	5/8"	3-1/4"	PL6650WH
Black	3"	5/8"	3-1/4"	PL6650BL
Gray	3"	5/8"	3-1/4"	PL6650GY
Black	3-1/2"	5/8"	3-3/4"	PL6660BL



### Dually Grommet, 2-1/2" Bore

- Dual sided locking grommet finishes both sides of your hole
- No gluing required
- Works with depths from 3/4" - 2-1/2"



- Trim marks every 1/4"
- Two Piece Plastic

Item #	Color	Box Qty
FADUALLY2.5SNG-L-BL	Black	1 Each
FADUALLY2.5SNG-L-WH	White	1 Each

A  
B  
C  
D  
E  
F  
G  
H  
I  
J  
K  
L  
M  
N  
O  
P  
Q  
R  
S  
T  
U  
V  
W  
X  
Y

A  
B  
C  
D  
E  
F  
G  
H  
I  
J  
K  
L  
M  
N  
O  
P  
Q  
R  
S  
T  
U  
V  
W  
X  
Y

## ROUND GROMMETS



### Three Piece Plastic, 1.875", 2.375" & 3.125" Bore Hole



- This style grommet has three pieces; grommet cap, rotary cap and hole liner
- Rotating liner enables grommet cap wire opening to be adjusted to three positions; closed, half open and fully opened

Color	Bore Hole Diameter	Hole Liner Depth	Overall Diameter	Item#
Black	1.875"	1"	2.5"	CWCPF-2500
White	1.875"	1"	2.5"	CWCPF-2501
Gray	1.875"	1"	2.5"	CWCPF-2503
Almond	1.875"	1"	2.5"	CWCPF-2504
Black	2.375"	1"	2.875"	CWCPF-2600
White	2.375"	1"	2.875"	CWCPF-2601
Gray	2.375"	1"	2.875"	CWCPF-2603
Almond	2.375"	1"	2.875"	CWCPF-2604
Black	3.125"	1"	3.625"	CWCPF-2800
White	3.125"	1"	3.625"	CWCPF-2801
Almond	3.125"	1"	3.625"	CWCPF-2804



### Round Wire Grommets, 1-3/4" Bore Hole Two Piece Solid Brass



- Solid brass, hand machined grommet caps and liners
- Sits 1/16" above the desktop
- Cap has permanent cut out for wires
- Grommet liner and grommet cap sold separately
- Three finishes available

Packing: Caps and liners sold separately. Full box quantities of liners & caps are 5.

Item #	Bore Hole	Depth	Overall Diameter	Finish
<b>Hole Liners</b>				
MQMM3ABR	1-3/4"	1-3/4"	1-7/8"	Bright Brass
MQMM3ACH	1-3/4"	1-3/4"	1-7/8"	Bright Chrome
MQMM3AEA	1-3/4"	1-3/4"	1-7/8"	English Antique
<b>Grommet caps</b>				
MQMM3BR	-	-	2"	Bright Brass
MQMM3CH	-	-	2"	Bright Chrome
MQMM3EA	-	-	2"	English Antique

## ROUND GROMMETS



### Two Piece Metal 2-23/64" Bore Hole



- 2 piece metal grommet (liner & cap) with locking top and wire brush cable passage

Item #	Bore Hole Dia.	Overall Dia.	Finish
CWVER60-26D	2-23/64"	2-11/16"	Dull Chrome



### One Piece Wood Cover Caps 1-3/4" Bore Hole



- One-piece solid wood Maple grommets with a radiused top, does not require a hole liner
- Grommet has permanent wire hole cut out

Item#	Bore Hole Dia.	Overall Dia.	Cord Slot
SBWG-M175	1-3/4"	2-1/4"	5/8"



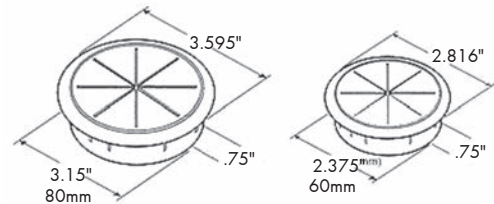
### One Piece Plastic 2-3/8" & 3-5/32" Bore Hole



- Flexigrom® wire grommets control wire feeds to work surfaces
- Patented flexible top allows for multiple wires from various directions
- One piece construction eliminates lost inserts

Packing: As shown below.

Sold In: Full box quantities only.



Finish	Bore Hole Diameter: 2-3/8" Overall Diameter: 2-13/16" Liner Depth: 3/4" Box Qty: 10 Item#	Bore Hole Diameter: 2-3/8" Overall Diameter: 2-13/16" Liner Depth: 3/4" Box Qty: 100 Item#	Bore Hole Diameter: 3-5/32" Overall Diameter: 3-19/32" Liner Depth: 3/4" Box Qty: 100 Item#
Black	CWF2670-X	CWF2670	CWF2870
White	CWF2671-X	CWF2671	-

A  
B  
C  
D  
E  
F  
G  
H  
I  
J  
K  
L  
M  
N  
O  
P  
Q  
R  
S  
T  
U  
V  
W  
X  
Y

## OVAL GROMMETS

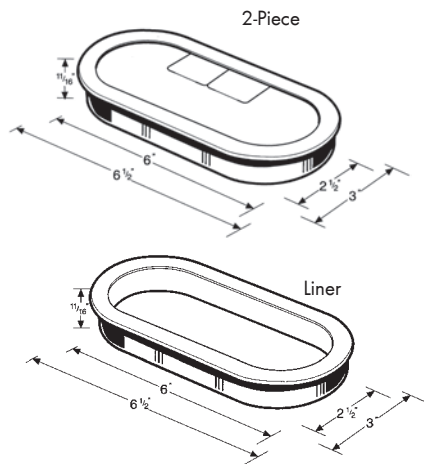


### Oval Wire Grommets, Two Piece Plastic



- Overall dimensions are 6-1/2" long x 3" wide fitting into an oval bore slot of 6" x 2-1/2"
  - Textured cap has an "invisible" 3-1/2" x 1" hinged wire access slot
- Packing: Cap and liner are sold together. Full box quantity of 5.  
Sold In: Full box quantity only.

Item#	Color	Box Qty
MQLO3BK	Black	5
MQLO3LG	Light Gray	5
MQLO3PY	Putty	5
MQLO3WH	White	5

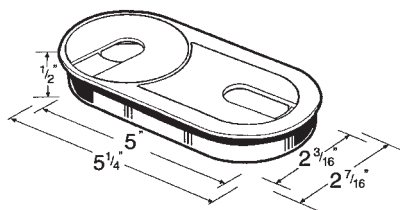


### Oval Wire Grommets Two Piece Plastic



- Fine pebble texture
- Cap has two independent pivot hinges for wires

Color	Liner & Cap Item #	Liner Only Item #	Bore Hole	Liner Depth	Overall Size
White	PL6399WH	PL6398WH	6"L x 2-1/2"W	11/16"	6-1/2" L x 3"W
Black	PL6399BL	PL6398BL	6"L x 2-1/2"W	11/16"	6-1/2" L x 3"W
Gray	PL6399GY	PL6398GY	6"L x 2-1/2"W	11/16"	6-1/2" L x 3"W
Almond	PL6399A	PL6398A	6"L x 2-1/2"W	11/16"	6-1/2" L x 3"W
Brown	PL6399BN	PL6398BN	6"L x 2-1/2"W	11/16"	6-1/2" L x 3"W



### Oval Wire Grommets, Three Piece Plastic



- Grommets include: grommet hole liner, round cap and oval cap
- Both caps have fixed hole cut out for wires
- Fine pebble texture
- Two caps and liner sold together

Color	Item #	Bore Hole	Liner Depth	Overall Size
White	PL6385WH	5"L x 2-3/16"W	1/2"	5-1/4" L x 2-7/16"W
Black	PL6385BL	5"L x 2-3/16"W	1/2"	5-1/4" L x 2-7/16"W
Almond	PL6385A	5"L x 2-3/16"W	1/2"	5-1/4" L x 2-7/16"W
Brown	PL6385BN	5"L x 2-3/16"W	1/2"	5-1/4" L x 2-7/16"W

## VENTILATION GROMMETS

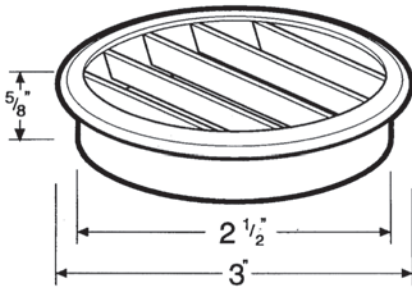


### Ventilation Grommets, 2-1/2" Bore Hole One Piece Round Plastic



- Round plastic rings that can be used for air vents in computer cabinetry, stereo/TV cabinetry, etc.
- Packing: Full box quantity of 10.

Item#	Color	Bore Hole	Liner Depth	Overall Diameter
MQAV2BK	Black	2-1/2"	2-5/16"	3"
MQAV2LG	Light Gray	2-1/2"	2-5/16"	3"
MQAV2PY	Putty	2-1/2"	2-5/16"	3"
MQAV2WH	White	2-1/2"	2-5/16"	3"

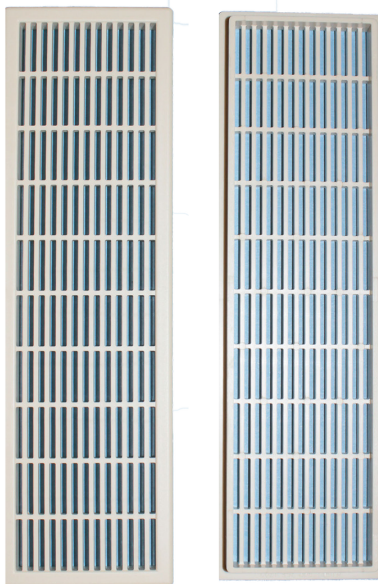


### Ventilation Grommets, 2-1/2" Bore Hole, One Piece Round Plastic



- Available in five colors; white, black, gray, almond and brown

Item #	Bore Hole	Liner Depth	Overall Diameter	Color
PL6435WH	2-1/2"	5/8"	3"	White
PL6435BL	2-1/2"	5/8"	3"	Black
PL6435GY	2-1/2"	5/8"	3"	Gray
PL6435A	2-1/2"	5/8"	3"	Almond
PL6435BN	2-1/2"	5/8"	3"	Brown



### Ventilation Grommets One Piece Rectangular Plastic

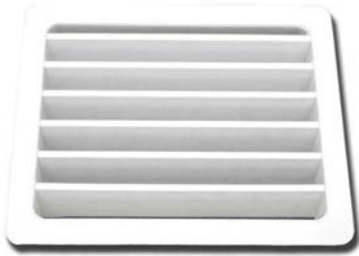


- Plastic entertainment center vent grill
- Provides air circulation where needed
- Hole size 2-3/8" x 8-5/8"; no lip
- Easy to install; simply glue in

Item#	Color	Box Qty
PL1970AL	Almond	50
PL1970BK	Black	50
PL1970BN	Brown	50
PL1970GY	Gray	50
PL1970WH	White	50

**A VENTILATION & TRASH GROMMETS**

B  
C  
D  
E  
F  
G  
H  
I  
J  
K  
L  
M  
N  
O  
P  
Q  
R  
S  
T  
U  
V  
W  
X  
Y

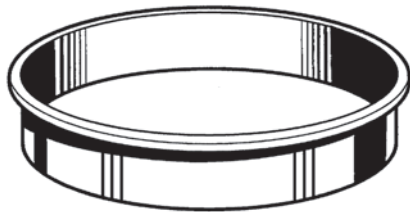


**Ventilation Grommets,  
4-1/4" L x 3-1/4" W Bore Hole  
Two Piece Plastic**



- One liner and one cap, cap is designed to lock on the liner

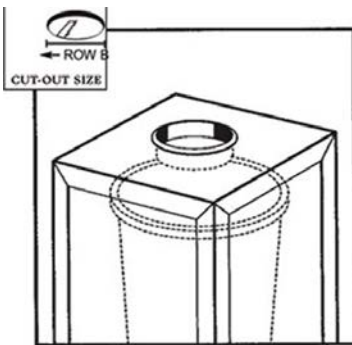
Item #	Liner Depth	Overall Size	Color
PL6437WH	5/8"	4-1/2" L x 3-1/2" W	White
PL6437BL	5/8"	4-1/2" L x 3-1/2" W	Black
PL6437GY	5/8"	4-1/2" L x 3-1/2" W	Gray



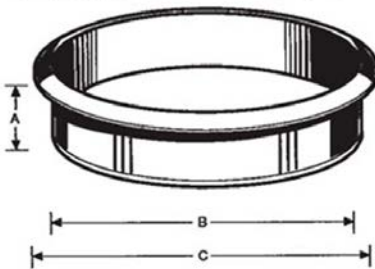
**Trash Grommets, 4-1/8" & 6" Bore Hole  
One Piece Plastic Grommets**



- Available in six colors



Item #	Liner Depth (A)	Bore Hole (B)	Overall Dia. (C)	Color
PL6122WH	7/8"	4-1/8"	4-3/8"	White
PL6122BL	7/8"	4-1/8"	4-3/8"	Black
PL6122GY	7/8"	4-1/8"	4-3/8"	Gray
PL6122A	7/8"	4-1/8"	4-3/8"	Almond
PL6122GD	7/8"	4-1/8"	4-3/8"	Gold
PL6144WH	1"	6"	6-3/4"	White
PL6144BL	1"	6"	6-3/4"	Black
PL6144GY	1"	6"	6-3/4"	Gray
PL6144A	1"	6"	6-3/4"	Almond





## TRASH GROMMETS



### Trash Grommets, 3" To 12" Bore Hole One Piece Stainless Steel



- High quality stainless steel material and finish

Item #	Bore Hole	Liner Depth	Overall Diameter	Finish
PL6123SS	3"	2"	3-3/4"	Polished
PL6124SS	4"	2"	4-3/4"	Polished
PL6143-100SS	6"	1"	6-3/4"	Brushed
PL6143-179SS	6"	1"	6-3/4"	Polished
PL6143-279SS	6"	2"	6-3/4"	Polished
PL6143-479SS	6"	4"	6-3/4"	Polished
PL6143-679SS	6"	6"	6-3/4"	Polished
PL6148-179SS	8"	1"	8-3/4"	Polished
PL6148-279SS	8"	2"	8-3/4"	Polished
PL6150-179SS	10"	1"	10-3/4"	Polished
PL6150-279SS	10"	2"	10-3/4"	Polished
PL6152-179SS	12"	1"	12-3/4"	Polished
PL6152-279SS	12"	2"	12-3/4"	Polished
PL6152-679SS	12"	6"	12-3/4"	Polished



### Trash Grommets, 6" & 8" Bore Hole One Piece Plastic & Stainless Steel



- Plastic and polished stainless steel trash grommets
- Polished stainless steel liners meet local codes for restaurant kitchens and public installations
- Simple installation, just rout or drill a 6" or 8" hole and insert liner

Item#	Bore Hole	Liner Depth	Overall Diameter	Finish
<b>Plastic</b>				
MQTM1BK	6"	1"	6-3/4"	Black
MQTM1LG	6"	1"	6-3/4"	Light Gray
MQTM1PY	6"	1"	6-3/4"	Putty
MQTM1WH	6"	1"	6-3/4"	White
<b>Polished Stainless Steel</b>				
MQTM1PSS	6"	1"	6-3/4"	Polished
MQTM2PSS	8"	1"	8-5/8"	Polished
MQTM1B-PSS	6"	2"	6-3/4"	Polished

A  
B  
C  
D  
E  
F  
G  
H  
I  
J  
K  
L  
M  
N  
O  
P  
Q  
R  
S  
T  
U  
V  
W  
X  
Y

A  
B  
C  
D  
E  
F  
G  
H  
I  
J  
K  
L  
M  
N  
O  
P  
Q  
R  
S  
T  
U  
V  
W  
X  
Y

## SPECIALTY GROMMETS



### One Piece Plastic Paper Slot Grommets



- Two sizes available: 12" and 17-3/8" L, 1" liner depth
- Full relief groove all around the overlapping trim edge

Item #	Bore Hole	Overall Size	Color
PL6307BL	12"L x 1-5/8"W	12-3/4"L x 2-7/16"W	Black
PL6317BL	17-3/8"L x 1-5/8"W	18-1/4"L x 2-7/16"W	Black



Hair Dryer Grommet

### Round Vanity Grommets One Piece Grommet



- Hair dryer grommet is made of a special rubber and plastic composition that "gives" when the hair dryer is inserted, and the top rim is fashionably textured for a well groomed appearance, resists heat
- Curling iron holders are made of a thick steel tube that absorbs heat well
- Scissor grommet has a steel bottom added with a rubber bottom pad inside so the scissors points won't get dull or bent



Curling Iron & Scissor Grommet

Item#	Type Holder	Bore Hole	Overall Dia.	Inside Dia.	Liner Depth	Finish
MQHD1BK	Hair Dryer	3"	4"	2-7/8"	1-1/2"	Black
MQCT1BK	Small Curling Iron	1-1/2"	1-7/8"	1-3/8"	4-11/16"	Black
MQCT1CH	Small Curling Iron	1-1/2"	1-7/8"	1-3/8"	4-11/16"	Polished Chrome
MQCT2BK	Large Curling Iron	2-1/2"	3-1/32"	2-3/8"	4-25/32"	Black
MQCT2CH	Large Curling Iron	2-1/2"	3-1/32"	2-3/8"	4-25/32"	Polished Chrome
MQCT3BK	Scissors	2-1/2"	3-1/32"	2-3/8"	4-27/32"	Black



MQJB1BK



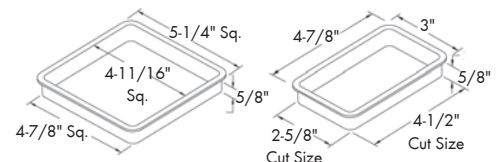
MQJB2BK

### Junction Box Grommets, One Piece Plastic



- Junction box grommets are perfect for finishing off wall coverings or furniture with junction boxes
- Grommets are available for either 2 outlet (rectangular) or four outlet (square) junction boxes
- Both grommets have 3/8" wide lip
- Double box dimensions are 5-1/4" square outside size, fitting into a 4-13/16" square hole
- Single box dimensions are 5" x 3" outside size fitting into a 4-1/2" x 2-5/8" hole

Finish	Single Box Item #	Double Box Item #
Black	MQJB1BK	MQJB2BK
White	MQJB1WH	MQJB2WH



## WIRE CHANNELS



Single Trim Ring

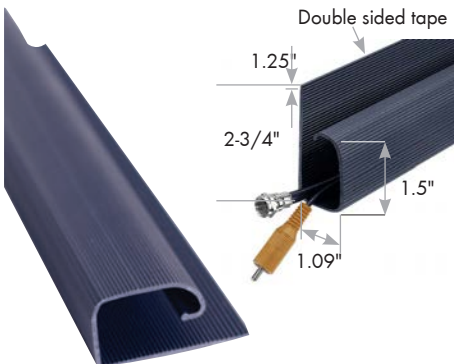
Double Trim Ring

### Junction Box Grommets Trimmable, One Piece Plastic Electric Trim Ring



- Designed to clean up electrical cutouts in the back of cabinets
  - Single box inside opening dimensions are 3-1/2" wide and 5.3125" tall, double box inside dimensions are 5-5/16" wide and tall
  - 1-1/4" liner depth can be trimmed in perforated 1/4" increments
- Packing & Sold in: Full box quantities as shown below.

Single Trim Ring Item#	Double Trim Ring Item #	Finish	UM	Box Qty
FAETR-SNGLBLK	FAETR-DBLBLK	Black	EA	1
FAETR-SNGLBLK10PK	FAETR-DBLBLK10PK	Black	PK	10
FAETR-SNGLWH	FAETR-DBLWH	White	EA	1
FAETR-SNGLWH10PK	FAETR-DBLWH10PK	White	PK	10



### Snap Open/Close Square Wire Channels



- Plastic channel tracks snap closed, have double sided self-adhesive tape on rear and have serrated edges to hide fingerprints
- Channel clips: 2"L, wire channel tracks: 98"L
- Material: Black ABS plastic

Item#
CWWM1500T



### Cable Manager Kit Link 360





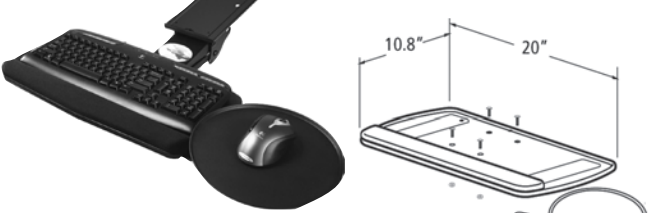
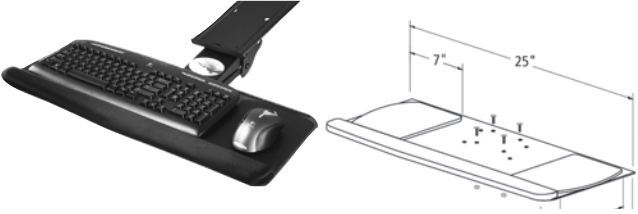


- Kit Includes: (45) Link Elements, (1) Quad Connector, (1) Dumbbell Connector, (1) Foot Assembly, & (2) Magnetic Clips
- 51" Length

Item #	Description	Finish
CWCPF-75361M	Link 360 Cable Manager Kit, 51" Length	Black
CWCPF-75362M	Link 360 Cable Manager Kit, 51" Length	White
CWCPF-75364M	Link 360 Cable Manager Kit, 51" Length	Translucent

**A KEYBOARD ARMS WITH TRAYS**

**Keyboard Arm/Tray Sets  
Single Knob Control**



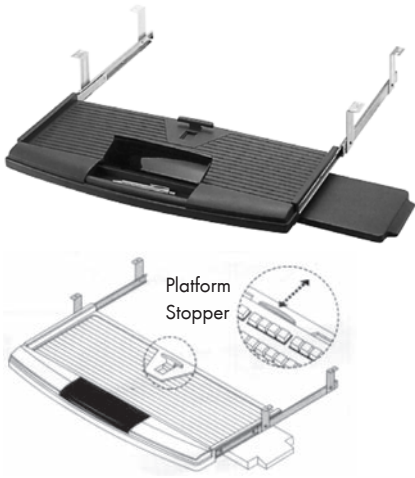
Keyboard Arms & Trays Sold Together	Item #	Features
	KVSD1	<ul style="list-style-type: none"> <li>• 20" L slim profile keyboard platform does not have a palmrest</li> <li>• Non-skid surface pads keeps stationary Tray Size: 10-13/16"W x 20"L</li> </ul>
	KVSD2	<ul style="list-style-type: none"> <li>• 20" L slim profile keyboard has 18" L gel palm rest Tray Size: 10-13/16" W x 20"L</li> </ul>
	KVSD-3	<ul style="list-style-type: none"> <li>• 20" long slim profile keyboard platform has 18" L gel palm rest</li> <li>• Non-skid surface pad</li> <li>• Mouse pad attached Tray Size: 10-13/16" W x 20"L</li> </ul>
	KVSD-4	<ul style="list-style-type: none"> <li>• 25" L slim profile keyboard and mouse platform has 25" L gel palm rest</li> <li>• Non-skid surface pad</li> <li>• Allows for mouse to be placed either on left or right side of keyboard Tray Size: 10" W x 25" L</li> </ul>
	KVSD-10	<ul style="list-style-type: none"> <li>• 18" long gel palm rest</li> <li>• Non-skid surface pads keep keyboard stationary</li> <li>• Adjustable tilt and swivel mouse pad (left or right mount able) included Tray Size: 10-3/8" W x 20" L</li> </ul>
	KVSD-14	<ul style="list-style-type: none"> <li>• 25" long gel palm rest</li> <li>• Non-skid surface pads keep keyboard stationary</li> <li>• Mouse can be placed on tray to left or right side of keyboard Tray Size: 10"W x 25" L</li> </ul>

**PULL-OUT KEYBOARD TRAYS**

A  
B  
C  
D  
E  
F  
G  
H  
I  
J  
K  
L  
M  
N  
O  
P  
Q  
R  
S  
T  
U  
V  
W  
X  
Y



**Economy Pull-Out Keyboard Tray With Pull-Out Mouse Pad**



- Top Mount 3/4 extension, ball bearing sides with 13-1/2" overall length and 10" travel
- Weight Capacity: 40 lbs.
- Adjustable height mounting brackets
- Lockout detent and adjustable platform stopper stabilizes keyboard when in use
- Slide out mouse tray may be extended from left or right hand side of keyboard
- Wrist rest contains center storage space for basic office supplies
- Requires 8 screws to install (screws not included)

Item#	Tray Size	Material/Finish
UF89230	23"L x 11-3/4" W	Plastic, Black

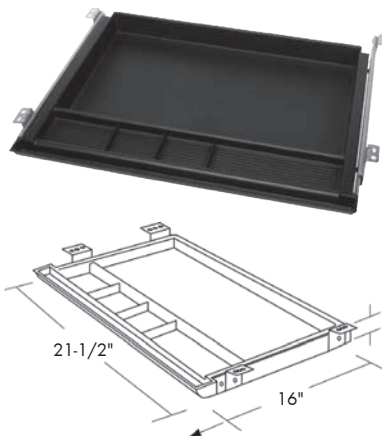
**Economy Pull-Out Keyboard Trays**



- Mounting: Brackets mount in outboard position under work surface for application widths 24" or greater or in the inboard position for widths less than 24"
- Precision ball bearing slides provide 75 lbs. load rating
- KV5700SPBLK-18 height adjustment in seven positions, 2-11/16" to 3-11/16"
- KV5710SPBLK-18 height adjustment in seven positions, 2-19/32" to 4-1/4"
- Integrated adjustable wrist rest
- Integrated mouse tray that can open left/right side (KV5710SPBLK-18)

Item#	Description	Tray Size	Finish
KV5700SPBLK-18	Without Mouse Tray	21-3/4"L x 18"W	Black
KV5710SPBLK-18	With Mouse Tray	21-3/4"L x 18"W	Black

**Economy Pull-Out Keyboard Tray With Front Tray Storage**



- Brackets mount in outboard position under work surface for application widths 29" or greater or in the inboard position for widths less than 26 -3/4"
- Precision ball bearing slides with lockout provides 20 lbs. load rating
- Height adjustment from 2-1/4 to 3-3/5"

Item#	Tray Size	Material/Finish
KVKD75	21-1/2"L x 16"W	Plastic, Black

**A PULL-OUT KEYBOARD TRAYS**



**Standard Pull-Out Keyboard Trays  
With Built-In Wrist Pad & Mouse Pad**



- Brackets mount in outboard position under work surface for widths 23" or greater or in the inboard position for widths less than 20 -3/4"
- Precision ball bearing slides with lockout provide 75 lbs. load rating
- Height adjustment 2-1/4" to 3-5/8" from bottom of work surface
- Integrated 23" long Lycra gel cushion wrist rest wraps around front edges of drawer

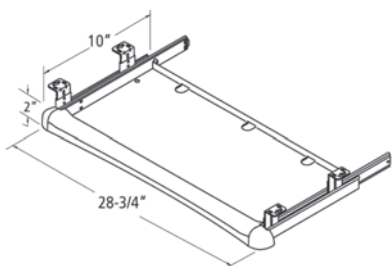
Item#	Description	Tray Size	Finish
KVKD100	Standard	19-1/2"L x 10"W	Black
KVKD110	With 8" Dia. Mouse Pad	19-1/2"L x 10"W	Black



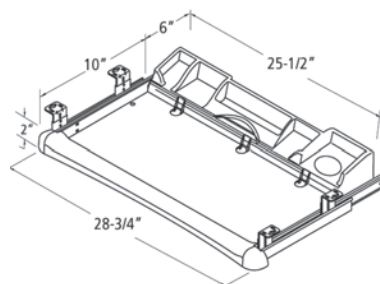
**Pull-Out Keyboard Trays  
Extra Wide**



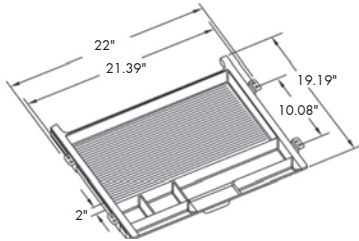
- Brackets mount in outboard position under work surface for applications 29" W or greater or in the inboard position for 26 -3/4"W or less
- Precision ball bearing slides with lockout provide 75 lbs. load rating
- Integrated 28-3/4"L Lycra gel cushion wrist rest wraps around front edges of drawer
- Model KVKD1020 has integrated 25"L x 5"W accessory tray and over-extension slides



Item#	Tray Size	Finish
KVKD1000	28-3/4"L x 10" W	Black
KVKD1020	28-3/4"L x 10" W	Black



**PENCIL DRAWER PULL-OUTS & CPU HOLDERS**

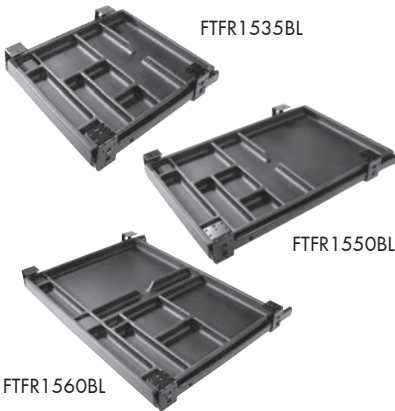


**Pencil Drawer Pull-Outs  
Wide Double Compartment**



- Sleek, low profile offers deep compartments
- Ball bearing 3/4 extension slides provide smooth operation
- Drawer tray is double wide at 21.39"
- Ribbed back compartment prevents items from sliding
- Protective end caps cover sharp edges and prevent injury
- Center finger tab for easy opening

Item#	Dimensions	Finish
CWCPF-89777	22"W x 19.19" L x 2" D	Black



**Pencil Drawer Pull-Outs  
Top Mount Tray**



- Epoxy slides are used to provide full extension access to drawer contents
- Trays require 1/2" space on each side of slide to be properly mounted
- Each tray has a 75 lb. load capacity

Item#	Tray Size	Slide Length	Finish
FTFR1535BL	12-5/8"W x 14"L	14"	Black
FTFR1550BL	12-5/8"W x 16"L	18"	Black
FTFR1560BL	22"W x 20"L	20"	Black



**Economy CPU Holder  
Fixed Mount**



- Adjustable to either a vertical or horizontal position
- Adjustable width (5-1/2" to 9-13/16") and height (15-1/2" to 20")

Item#	Description	Height	Width
KVC730	CPU Holder	15-1/2" to 20"	5-1/2" to 9-13/16"



**Under Desk CPU Holders, 50 Lb. Rating  
Slide & Swivel**



- 360° swivel for easy access to back panel
- 18" track length provides 13" of in/out adjustment range

Item#	Weight Capacity	Height Adjustability	Width Adjustability	Locking CPU Holder	Finish
KVCPU3	50 lbs.	15" to 23"	4-3/4" to 8-1/2"	No	Black

A  
B  
C  
D  
E  
F  
G  
H  
I  
J  
K  
L  
M  
N  
O  
P  
Q  
R  
S  
T  
U  
V  
W  
X  
Y

A  
B  
C  
D  
E  
F  
G  
H  
I  
J  
K  
L  
M  
N  
O  
P  
Q  
R  
S  
T  
U  
V  
W  
X  
Y

## RECORD DIVIDERS & CD STORAGE TRAYS



### Record Dividers

- Pre-formed rods are designed to insert into 3/16" diameter holes
- Material: Steel



Item#	Type	Dimensions	Finish
CN50NP	Pointed Divider	10"H x 6-3/4"W	Polished Nickel



### CD & DVD Storage Trays, Flip & See Rails, Horizontal Storage



- Trays are two pieces (left and right) and can be affixed via pre-mounted adhesive strips
  - Individual tray rails (both left and right) are 12-1/2" long and 1-1/2" wide
  - Made of black plastic
- Packing: Full boxes of 10 sets of left and right rails.

Item #	Capacity	Depth	Width	Height
RICD	24 CDs	12-1/2"	1-1/2"	.45"
RIDV	18 DVDs	12-1/2"	1-1/2"	.63"



### CD Storage Rack Flip & See, Horizontal Storage



- Storage tray is designed to store CDs at a slight angle and enables users to flip CDs forward to see next CD selection
- Assembled rack forms a single piece made of black plastic polymer

Item#	CD Capacity	Size
CWFR4300	20	5-13/16"W x 13-15/16"D



### Multimedia Storage & Organizers Pull-Out Trays, Flip & See Horizontal Storage



- Tray is designed to be mounted onto a shelf and can then be pulled out for media access
  - Tray features a base mount that has four high strength plastic rollers that permits 3/4 extension
  - Built-in back support mechanism supports media (CD's, VHS tapes, etc.) to remain upright
- Packing & Sold In: Each.

Item#	Length	Media Capacity		
		CD	DVD	VHS
USWK676	12-19/32"	20	16	9

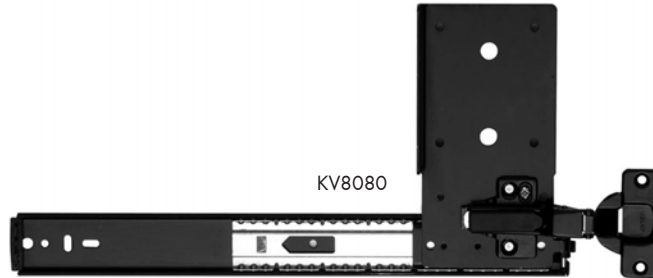


## POCKET DOOR SLIDES

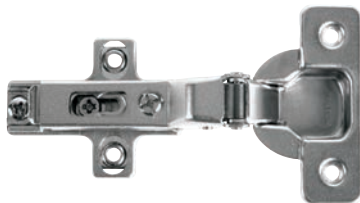
### KV Pivot Door Slides, 8080/8081/8082



- 8080: 3/4 extension slide with self-close 35mm hinge
- 8081: 3/4 extension slide without hinge and base
- 8082: 3/4 extension slide with attached hinge base
- Cushioned stops and door hold-out
- Three-way adjustable door hinge
- Mounting: Side
- Action: Ball-bearing movement
- Load Rating: 30 lb. class
- Maximum Dimensions:
  - Vertical doors: 42" high x 24" wide
  - Horizontal pivot doors: 24" high x 48" wide
- Packaged 1 pair per bag with screws. 10 pairs per carton.



Includes Hinges And Bases			No Hinges Or Bases			Hinge Base Only		
	8080EZ Anochrome	8080EZ Ebony Black		8081EZ Anochrome	8081EZ Ebony Black		8082EZ Anochrome	8082EZ Ebony Black
Size	Item #	Item #	Size	Item #	Item #	Size	Item #	Item #
12"	KV8080PEZ-12	KV8080PEZEB-12	12"	KV8081PEZ-12	—	12"	KV8082PEZ-12	KV8082PEZEB-12
14"	KV8080PEZ-14	KV8080PEZEB-14	14"	KV8081PEZ-14	KV8081PEZEB-14	14"	KV8082PEZ-14	KV8082PEZEB-14
16"	KV8080PEZ-16	KV8080PEZEB-16	16"	KV8081PEZ-16	KV8081PEZEB-16	16"	KV8082PEZ-16	KV8082PEZEB-16
18"	KV8080PEZ-18	KV8080PEZEB-18	18"	KV8081PEZ-18	KV8081PEZEB-18	18"	KV8082PEZ-18	KV8082PEZEB-18
20"	KV8080PEZ-20	KV8080PEZEB-20	20"	KV8081PEZ-20	KV8081PEZEB-20	20"	KV8082PEZ-20	KV8082PEZEB-20
22"	KV8080PEZ-22	KV8080PEZEB-22	22"	KV8081PEZ-22	KV8081PEZEB-22	22"	KV8082PEZ-22	KV8082PEZEB-22



#### Hinge Kit Options

- Packed 2 hinges per kit; 10 kits per box

Item #	Hinge Cup Size	Door Thickness	Application
<b>Nickel Hinges</b>			
KV8080HKEZS	35mm	3/4"	Inset
KV8080HKEZL	40mm	3/4"	Overlay
<b>Ebony Black Hinges</b>			
KV8080HKEZSEB	35mm	3/4"	Inset
KV8080HKEZLEB	40mm	3/4"	Overlay



#### KV 8090P CR Raised Panel Cassette Roller

- Additional protection for raised panel doors
- Packed 1 per poly pack with screws; 20 per box

Item#
KV8090CR

A  
B  
C  
D  
E  
F  
G  
H  
I  
J  
K  
L  
M  
N  
O  
P  
Q  
R  
S  
T  
U  
V  
W  
X  
Y

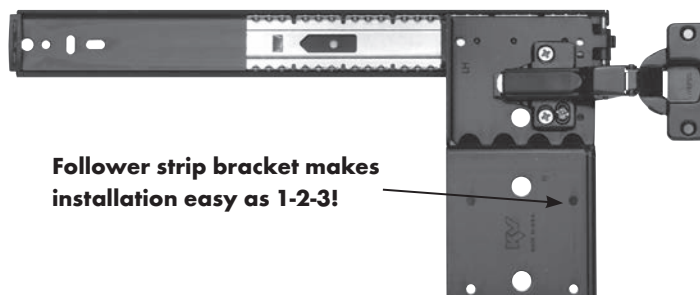
A  
B  
C  
D  
E  
F  
G  
H  
I  
J  
K  
L  
M  
N  
O  
P  
Q  
R  
S  
T  
U  
V  
W  
X  
Y

## POCKET DOOR SLIDES

### KV Pivot Door Slides 8070/8071/8072

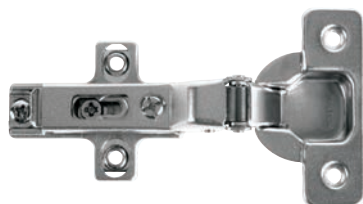


- 8070: 3/4 extension slide with self-close 35mm hinge
- 8071: 3/4 extension slide without hinge and base
- 8072: 3/4 extension slide with included hinge base
- Cabinet acts as installation jig
- Cushioned stops and door hold-out
- Three-way adjustable door hinge
- Mounting: Side
- Action: Ball-bearing movement
- Load Rating: 30 lb. class
- Maximum Dimensions:
  - Vertical doors: 42" high x 24" wide
  - Horizontal pivot doors: 24" high x 48" wide
- Packaged 1 pair per bag with screws. 10 pairs per carton.



Follower strip bracket makes installation easy as 1-2-3!

8070EZ Ebony Black		8071EZ Ebony Black		8072EZ Ebony Black	
Includes standard 3/4 inset hinge and baseplate		Hinges and baseplates are not included		Baseplate included; must order hinges separately	
Size	Item #	Size	Item #	Size	Item #
12"	KV8070PEB-12	12"	KV8071PEB-12	12"	KV8072PEB-12
14"	KV8070PEB-14	14"	KV8071PEB-14	14"	KV8072PEB-14
16"	KV8070PEB-16	16"	KV8071PEB-16	16"	KV8072PEB-16
18"	KV8070PEB-18	18"	KV8071PEB-18	18"	KV8072PEB-18
20"	KV8070PEB-20	20"	KV8071PEB-20	20"	KV8072PEB-20
22"	KV8070PEB-22	22"	KV8071PEB-22	22"	KV8072PEB-22
24"	KV8070PEB-24	24"	KV8071PEB-24	24"	KV8072PEB-24



#### Hinge Kit Options

- Packed 2 hinges per kit; 10 kits per box

Item #	Hinge Cup Size	Door Thickness	Application
<b>Nickel Hinges</b>			
KV8080HKEZS	35mm	3/4"	Inset
KV8080HKEZL	40mm	3/4"	Overlay
<b>Ebony Black Hinges</b>			
KV8080HKEZSEB	35mm	3/4"	Inset
KV8080HKEZLEB	40mm	3/4"	Overlay



#### KV 8090P CR Raised Panel Cassette Roller

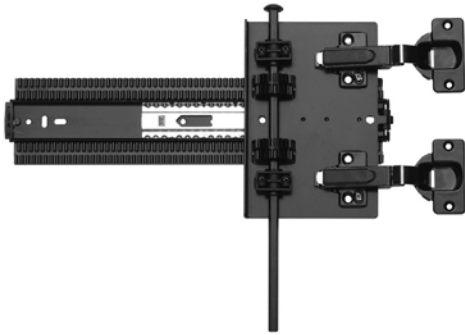
- Additional protection for raised panel doors
- Packed 1 per poly pack with screws; 20 per box

<b>Item#</b>
KV8090CR

**POCKET DOOR SLIDES**

A  
B  
C  
D  
E  
F  
G  
H  
I  
J  
K  
L  
M  
N  
O  
P  
Q  
R  
S  
T  
U  
V  
W  
X  
Y

**KV Pivot Door Slides 8091/8092**

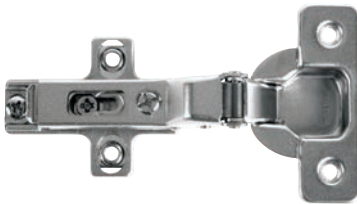


- 8091: Hinge and baseplate not included
- 8092: Baseplate attached; hinge must be ordered separately
- Rack and pinion design
- Multiple hinge options
- Greatly reduces door sag
- Mounting: Side
- Action: Ball-bearing movement
- Load Rating: 75 lb class
- Maximum Dimensions: Vertical Doors: 72" high x 26" wide

8091 Ebony Black		8092 Ebony Black	
Hinge and baseplate not included		Baseplate attached; hinges must be ordered separately	
Size	Item #	Size	Item #
12"	KV8091PEB-12	12"	KV8092PEB-12
13"	KV8091PEB-13	13"	KV8092PEB-13
14"	KV8091PEB-14	14"	KV8092PEB-14
15"	KV8091PEB-15	15"	KV8092PEB-15
16"	KV8091PEB-16	16"	KV8092PEB-16
18"	KV8091PEB-18	18"	KV8092PEB-18

**Hinge Kit Options**

- Packed 2 hinges per kit; 10 kits per box



Item #	Hinge Cup Size	Door Thickness	Application
<b>Nickel Hinges</b>			
KV8080HKEZS	35mm	3/4"	Inset
KV8080HKEZL	40mm	3/4"	Overlay
<b>Ebony Black Hinges</b>			
KV8080HKEZSEB	35mm	3/4"	Inset
KV8080HKEZLEB	40mm	3/4"	Overlay

**KV 8090P CR Raised Panel Cassette Roller**

- Additional protection for raised panel doors
- Packed 1 per poly pack with screws; 20 per box



Item#
KV8090CR

**KV 8092 Pinion Shafts for 4x4 Pocket Door Slides**

- 1 pair of shafts per pack



Length	Item #
36"	KV8092SEB-36
48"	KV8092SEB-48
72"	KV8092SEB-72

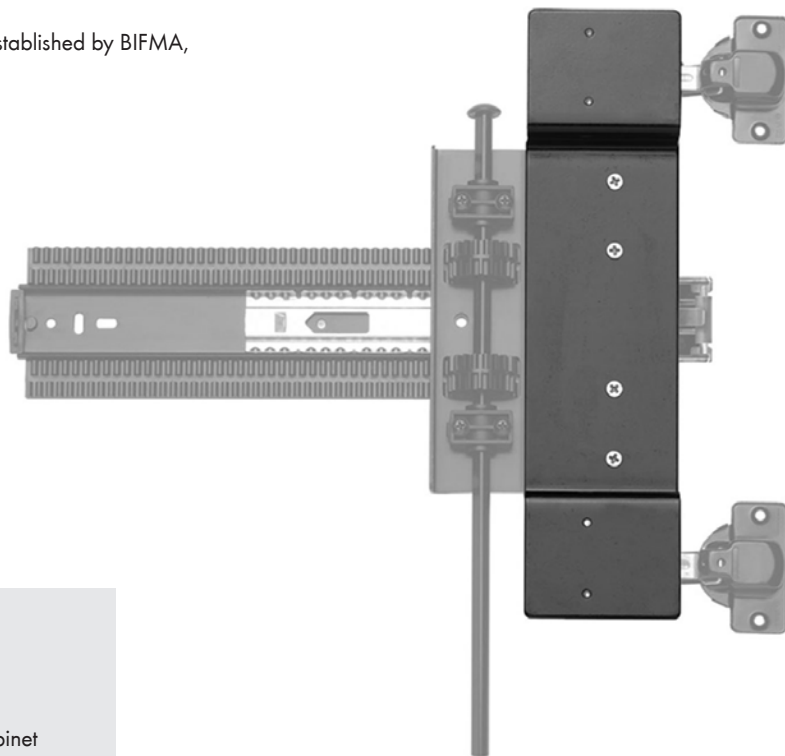
A  
B  
C  
D  
E  
F  
G  
H  
I  
J  
K  
L  
M  
N  
O  
P  
Q  
R  
S  
T  
U  
V  
W  
X  
Y

## POCKET DOOR SLIDES

### KV 4X4 Pocket Door Slides Full Overlay Kit



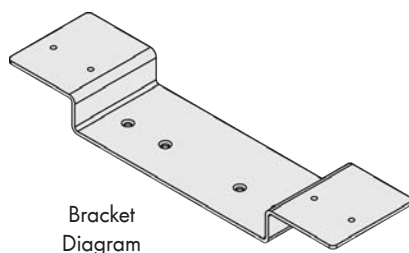
- Provides a full door overlay on doors up to .75" thick
- Does not compromise key performance features of 4X4 pocket door system
- Mounts directly to KV 8091 series slides
- Accommodates doors up to 75 lb and 72" in height
- Designed to meet or exceed ANSI performance standards as established by BIFMA, BHMA, and KCMA
- Finish: Black
- Polybag kit includes:
  - 2 brackets
  - 4 overlay hinges
  - 4 hinge bases
  - 4 hinge cover caps
  - 4 protective door felt pads
  - All necessary mounting hardware



<b>Item #</b>
KV8091KIT-M

#### Full Overlay Kit Installation Requirements

- Overlay kits require the use of a KV 8091 series slide
- Overlay kits require the use of a pinion shaft
- Overlay kits require the use of a partition wall within the cabinet



#### Typical Overlay Applications

Door Thickness	Amount of Overlay	Pocket Width
3/4"	3/4"	1-3/4"
13/16"	11/16"	1-13/16"
7/8"	5/8"	1-7/8"
15/16"	9/16"	1-15/16"
1"	1/2"	2"
1-1/16"	7/16"	2-1/16"
1-1/8"	3/8"	2-1/8"
1-3/16"	5/16"	2-3/16"
1-1/4"	1/4"	2-1/4"

- Minimum Door Height: 24"
- Maximum Door Height: 72"