

SECTION I - TABLE OF CONTENTS

Section I Contents:

Workstation Brackets, Shelf & Countertop Supports..... 2 - 4
 Table Hardware, Drop Leaf Supports..... 5 - 6
 Table Legs..... 7 - 10
 Furniture Levelers..... 11
 Cabinet Levelers..... 12 - 15
 Cabinet Legs..... 16
 Leveling Wedges & T-Nuts..... 17
 Glides..... 18 - 20
 Cabinet Bumpers..... 21 - 25
 Casters..... 26 - 32



Workstation Brackets → page I-2



Table Legs → page I-7 - I-10



Levelers 1 pages I-11 - I-15



Glides 1 pages I-18 - I-20



Cabinet Bumpers 1 pages I-21 - I-24



Casters 1 pages I-26 - I-32

A
B
C
D
E
F
G
H
I
J
K
L
M
N
O
P
Q
R
S
T
U
V
W
X
Y

A
B
C
D
E
F
G
H
I
J
K
L
M
N
O
P
Q
R
S
T
U
V
W
X
Y

WORKSTATION BRACKETS



Shelf & Countertop Supports Rigid, Heavy Duty



- Load rating 1,000 lbs. per pair
 - 1/8" steel
 - Multiple 1/4" mounting hole locations (mounting hardware not included)
 - For use in workbenches, workstations, garage storage, ADA stations, computer stations, etc.
 - Reversible design makes brackets versatile and easy to use
 - Packaged in equal quantities of "rights" and "lefts"
 - The six larger sizes have a 3" x 3" - 45° notch that allows for wall cleat and wire run clearance
 - *Stainless Steel brackets (available with upcharge) are genuine 304 series stainless steel with a natural brushed finish, 12 gauge, non-magnetic
- Note: (-B) sold in full box quantities only.

Almond Item #	Black Item #	Gray Item #	Primed Item #	White Item #	Box Qty
5" Shelf Length X 8" Wall Length					
DS58ALM	DS58BLK	DS58GRAY	-	DS58WHT	1 Pair
DS58ALM-B	DS58BLK-B	DS58GRAY-B	-	DS58WHT-B	5 Pair
8" Shelf Length X 12" Wall Length*					
DS812ALM	DS812BLK	DS812GRAY	-	DS812WHT	1 Pair
DS812ALM-B	DS812BLK-B	DS812GRAY-B	-	DS812WHT-B	5 Pair
12" Shelf Length X 18" Wall Length					
DS1218ALM	DS1218BLK	DS1218GRAY	-	DS1218WHT	1 Pair
DS1218ALM-B	DS1218BLK-B	DS1218GRAY-B	-	DS1218WHT-B	5 Pair
15" Shelf Length X 21" Wall Length*					
DS1521ALM	DS1521BLK	DS1521GRAY	DS1521PRIMED	DS1521WHT	1 Pair
DS1521ALM-B	DS1521BLK-B	DS1521GRAY-B	DS1521PRIMED-B	DS1521WHT-B	3 Pair
18" Shelf Length X 18" Wall Length					
DS1818ALM	DS1818BLK	DS1818GRAY	-	DS1818WHT	1 Pair
DS1818ALM-B	DS1818BLK-B	DS1818GRAY-B	DS1818PRIMED-B	DS1818WHT-B	3 Pair
18" Shelf Length X 24" Wall Length*					
DS1824ALM	DS1824BLK	DS1824GRAY	DS1824PRIMED	DS1824WHT	1 Pair
DS1824ALM-B	DS1824BLK-B	DS1824GRAY-B	DS1824PRIMED-B	DS1824WHT-B	3 Pair
24" Shelf Length X 24" Wall Length					
DS2424ALM	DS2424BLK	DS2424GRAY	-	DS2424WHT	1 Pair
DS2424ALM-B	DS2424BLK-B	DS2424GRAY-B	-	DS2424WHT-B	3 Pair
24" Shelf Length X 29" Wall Length					
DS2429ALM	DS2429BLK	DS2429GRAY	-	DS2429WHT	1 Pair
DS2429ALM-B	DS2429BLK-B	DS2429GRAY-B	-	DS2429WHT-B	2 Pair

SHELF & COUNTERTOP SUPPORTS



Load rating at 1,000 lbs. per pair

**PRECISION
ALIGNMENT &
NO KICKER!**



Speed Brace, Heavy Duty Brackets



- 1-1/2" x 1-1/2" notching system for quick alignment/installation (3/4" x 1-1/2" on FASB58 Series)
- Cable management holes
- Countersunk screw holes

Finish	Shelf Length x Wall Length		
	5" x 8" Item#	8" x 12" Item#	15" x 18" Item #
Black	FASB58BL	FASB812BL	FASB1518BL
White	FASB58WH	FASB812WH	FASB1518WH

Finish	Shelf Length x Wall Length	
	21" x 24" Item #	21" x 28" Item #
Black	FASB2124BL	FASB2128BL
White	FASB2124WH	FASB2128WH

Concealed Brackets Without Upper Extension

- 1/4" steel
- Includes mounting hardware 3/8" x 4" carriage bolts, hex nuts and flat washers
- Mounts directly to wall studs
- Load limit over 1,000 lbs. per pair
- All welds on reverse for easy, clean install

Note: Sold in full box quantities only.



Item#	Depth	Overall Height	Color	Box Qty
9" Support Arm Length				
DSC1/4-9-ALM	9"	12"	Almond	2 Each
DSC1/4-9-BLK	9"	12"	Black	2 Each
DSC1/4-9-GRAY	9"	12"	Gray	2 Each
DSC1/4-9-WHT	9"	12"	White	2 Each
12" Support Arm Length				
DSC1/4-12-ALM	12"	12"	Almond	2 Each
DSC1/4-12-BLK	12"	12"	Black	2 Each
DSC1/4-12-GRAY	12"	12"	Gray	2 Each
DSC1/4-12-WHT	12"	12"	White	2 Each
18" Support Arm Length				
DSC1/4-18-ALM	18"	18"	Almond	2 Each
DSC1/4-18-BLK	18"	18"	Black	2 Each
DSC1/4-18-GRAY	18"	18"	Gray	2 Each
DSC1/4-18-WHT	18"	18"	White	2 Each
24" Support Arm Length				
DSC1/4-24-ALM	24"	18"	Almond	2 Each
DSC1/4-24-BLK	24"	18"	Black	2 Each
DSC1/4-24-GRAY	24"	18"	Gray	2 Each
DSC1/4-24-WHT	24"	18"	White	2 Each



A
B
C
D
E
F
G
H
I
J
K
L
M
N
O
P
Q
R
S
T
U
V
W
X
Y

A
B
C
D
E
F
G
H
I
J
K
L
M
N
O
P
Q
R
S
T
U
V
W
X
Y

SHELF & COUNTERTOP SUPPORTS

Concealed Brackets With Upper Extension

- 1/4" steel
 - Includes mounting hardware 3/8" x 4" carriage bolts, hex nuts and flat washers
 - Mounts directly to wall studs
 - Load limit over 1,000 lbs. per pair
 - All welds on reverse for easy, clean install
- Note: Sold in full box quantities only.



Item#	Depth	Overall Height	Color	Box Qty
9" Support Arm Length				
DSEC1/4-9-ALM	9"	20"	Almond	2 Each
DSEC1/4-9-BLK	9"	20"	Black	2 Each
DSEC1/4-9-GRAY	9"	20"	Gray	2 Each
DSEC1/4-9-WHT	9"	20"	White	2 Each
12" Support Arm Length				
DSEC1/4-12-ALM	12"	20"	Almond	2 Each
DSEC1/4-12-BLK	12"	20"	Black	2 Each
DSEC1/4-12-GRAY	12"	20"	Gray	2 Each
DSEC1/4-12-WHT	12"	20"	White	2 Each
18" Support Arm Length				
DSEC1/4-18-ALM	18"	26"	Almond	2 Each
DSEC1/4-18-BLK	18"	26"	Black	2 Each
DSEC1/4-18-GRAY	18"	26"	Gray	2 Each
DSEC1/4-18-WHT	18"	26"	White	2 Each
24" Support Arm Length				
DSEC1/4-24-ALM	24"	26"	Almond	2 Each
DSEC1/4-24-BLK	24"	26"	Black	2 Each
DSEC1/4-24-GRAY	24"	26"	Gray	2 Each
DSEC1/4-24-WHT	24"	26"	White	2 Each



Stealth Brace, Black Finish

- Support countertop and bar overhangs with no visible kicker or corbels
- Each brace will support 200 pounds of weight
- 1/4" steel is powder-coated
- Countersunk screwholes
- Simply route a 3-1/2" slot in the substrate and mount



Item#	Size
FASTEALTH-12BL	3-1/2" x 12" x 3/16"
FASTEALTH-16BL	3-1/2" x 16" x 3/16"
FASTEALTH-24BL	3-1/2" x 24" x 3/16"



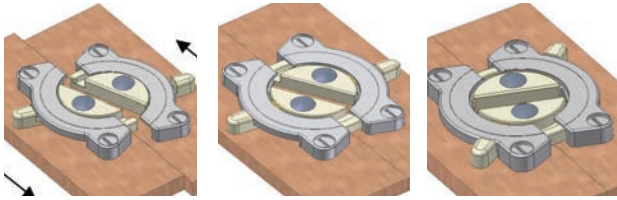
Drop-Leaf Hinges, Heavy Duty

- Table flaps are held securely under the table top
- The leaves open 180° and automatically lock into position
- Converts small rectangular tables to larger circular tables or to add length to oblong tops
- Installation screws are included



Item#	Steel Gauge	Finish
CNH899P	Heavy Duty Steel, .098 Gauge	Brass Plated

TABLE HARDWARE



Attach one half of connector to each tabletop

Twist...

And lock into place!

Table Clamps

- Peter Meier's Conny Connector
- Innovative way to firmly link table tops together
- Clamp is made up of two pieces (see images to the right)
- Screws not included



Item#	Dimension	Material	Finish
CM812-02-NY	3-1/2" Dia.	Steel	Zinc

Table Pins

- Solid Oak pins
- Packing: As shown below.
Sold In: Full bag quantity only.



Item#	Size (Diameter x Length)	Bag Qty
SBTP1-L5	3/8" Dia. x 1-1/4" L	500
SBTP1	3/8" Dia. x 1-1/4" L	1000

Table Apron Leg Brackets

- Heavy gauge steel brackets to hold together the four corners of the table apron and provide a means of fastening the leg to the bracket
 - A hanger screw is driven into the leg and locked into place through the bracket with a wing nut
 - Recommended fasteners sold separately: WW44160 (sold in multiples of 1,000)
- Packing: 250 each per box. Full box quantity only.



Item#	Size
CN3620	1-1/2"W x 3"L
CN3622	2"W x 4-3/4"L

Table Levelers, 14 Gauge Steel Brad

- Alinor™ tabs apply counteracting force to keep joint level
 - Leaf levelers with integral tack spikes install quickly for economical leveling
 - Tack-in tabs to hold edges of leaves level
 - 14 gauge plain steel brad is ribbed for strength
 - Screws not included
- Packing: As shown below. Full box quantities only.



Item#	Size	Box Qty
TPLL101	3/4" W x 2" L	500
TPLL101-L	3/4" W x 2" L	50

A
B
C
D
E
F
G
H
I
J
K
L
M
N
O
P
Q
R
S
T
U
V
W
X
Y

DROP LEAF SUPPORTS



Aluminum Folding Bracket



- Drop leaf support is constructed from aluminum
- Automatically locks when flap is in open position
- Has release lever for unlocking
- For panel thickness 19/32" - 1-3/8"
- Max. Width for 1 drop leaf support is 23-5/8"
- Max. Width for 2 drop leaf supports is 51-3/16"
- Aluminum Material with an Anodized Aluminum Finish
- Installation screws not included

Item#	Closed Dimensions	Extended Length	Weight Capacity
SL38820-25	3-1/32"W x 1-31/32"H x 4-31/64"L	7-3/32"L	77 lbs
SL38830-25	3-1/32"W x 1-31/32"H x 6-5/8"L	10-7/8"L	121 lbs
SL38845-25	3-1/32"W x 1-31/32"H x 10-1/8"L	16-31/32"L	132 lbs
SL38860-25	3-1/32"W x 1-31/32"H x 14-1/2"L	23-1/16"L	176 lbs



Drop Leaf Supports, Economy, Steel



- When tilted open, the spring bracket locks automatically
- To close, lightly press the incorporated button

Item#	Dimensions	Weight Capacity
HE287-41-915	1-3/16"W x 4-3/4"H x 14-31/32"L	44 lbs.

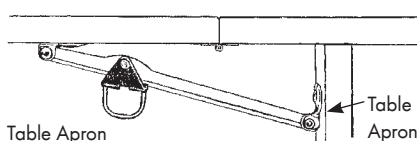


Table Apron

Table Apron

Note: Used with table apron

Drop Leaf Supports, Steel Spring Bracket



- Support cannot "jackknife" accidentally because leaf is held securely in place by spring tension
- Spring also holds leaf in dropped position
- SAF-T-RING release is built into the handle
- Load capacities vary depending upon the width, depth, thickness and type of material used
- Steel material with a yellow-gold zinc plated finish
- Installation screws not included

Item#	Bracket Length
TPDL10601	6"L
TPDL10801	8"L
TPDL11001	10"L
TPDL11201	12"L

FOLDING TABLE LEGS



Game Table Design Table Leg, Black



- Used to create picnic tables, display tables, card tables, ping-pong tables, and casino tables
- Easy to fold: includes screws and plastic floor protectors
- Table top minimum of 36" square for the legs to fold correctly underneath the table
- Leg is made of 1" diameter steel tubing, 29" leg height
- Set includes: 4 legs complete with mounting hardware including screws and protective caps

Item#	Color
LG5	Off-White



Banquet Table Design Table Legs



- Multi-purpose steel legs for making all sorts of folding tables
- Locking device made from heavy gauge steel
- Legs are 1" tubular steel
- Tightly welded joints and protective plastic tips
- Available in two finishes: Black and Chrome
- Includes: 2 legs per set, complete with nuts, bolts and protective tips

Item#	Finish	Height	Base Width
LG29BL	Black	29"	24"
LG29CHR	Chrome	29"	24"



Folding Leg Brackets, Surface Mount



- For lightweight table legs, with a maximum table leg width of 1-1/2"
- Steel unit has positive locking in open and closed positions with thumb pressure release
- Sold without screws

Item#	Size	Finish
CN149	2-1/2 L" x 2-1/2"L	Dark Copper

A
B
C
D
E
F
G
H
I
J
K
L
M
N
O
P
Q
R
S
T
U
V
W
X
Y

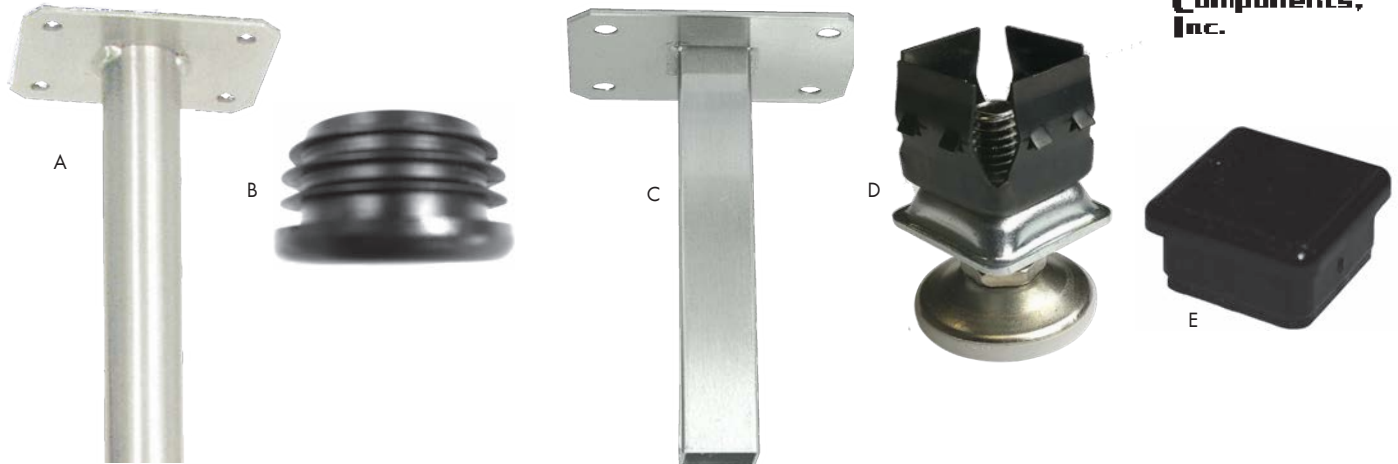
STEEL TABLE LEGS

16 Gauge Steel Table Legs, Round & Square

- Mounting plates are welded to the legs, plates are 3" x 4" and have four 3/16" diameter screw holes

REEVE
STORE EQUIPMENT CO.

Superior Components, Inc.



	Item#	Size	Description	Finish
A	RV6R16G-SZ	6"L x 1-1/4"Dia.	16 Gauge Round Steel Table Legs	Satin Zinc
	RV28R16G-SZ	28"L x 1-1/4"Dia.	16 Gauge Round Steel Table Legs	Satin Zinc
B	GD1195-U-14	1-1/4"Dia.	Insert Glide Designed for 1-1/4" Diameter Tubing	Black
C	RV28S16G-SZ	28"L x 1"Sq.	16 Gauge Square Steel Table Legs	Satin Zinc
	RV28S16G-B	28"L x 1"Sq.	16 Gauge Square Steel Table Legs	Black Powder Coat
	RV36S16G-SZ	36"L x 1"Sq.	16 Gauge Square Steel Table Legs	Satin Zinc
	RV36S16G-B	36"L x 1"Sq.	16 Gauge Square Steel Table Legs	Black Powder Coat
D	RV15	1"Sq.	Leveling Glides w/ 1" Square Metal Insert Bushing	Zinc w/White Nylon Base
E	RV9	1"Sq.	1" Square Glide/Cap (Caps the bottom of 1" square legs)	Black

ORDERING MADE EASY!

Scan Code To Install The
New Würth Baer Supply
Mobile App!



For more information contact
Würth Baer Supply Webmaster at
888-922-2237 or your local sales representative.

SCAN • CHECK • BUY

STEEL TABLE LEGS

A
B
C
D
E
F
G
H
I
J
K
L
M
N
O
P
Q
R
S
T
U
V
W
X
Y



Steel Table Legs, 2-3/8" Diameter



- Load bearing capacity of 660 lbs. per leg
- 2-3/8" diameter, 27-3/4"L (table height), 28-7/8"L full extension
- All legs come with separate brackets to attach the leg to the table and all necessary screws
- Legs have 1-1/8" adjustment built in feet
- Single packs include: (1) leg, (1) bracket and screws
- Four leg packs include: (4) legs, (4) brackets and screws

Finish	Single Pack Item #	Four Pack Item #
Flat Black	CM615-7S-19	CM615-70-19
Chrome	CM615-7S-C1	CM615-70-C1
Brushed Steel	CM615-7S-ST	CM615-70-ST



**Steel Table Legs, 2-3/8" Diameter
4 Leg Packs**



- Load bearing capacity of 660 lbs. per leg
- 2-3/8" diameter, 27-3/4" L (table height) and 34-1/4" L (counter height)
- Include separate brackets to attach the leg to the table and all necessary screws
- Legs have built in 1-1/8" adjustable feet
- Packs include: (4) legs, (4) brackets and screws

Finish	Table Height Item #	Counter Height Item #
Brushed Steel	CM330-70-ST	CM330-87-ST
Chrome	CM330-70-CH	-



Steel Table Legs, 3" Diameter

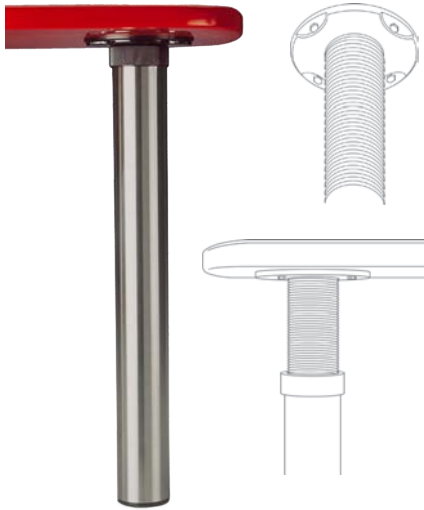


- Load bearing capacity of 660 lbs. per leg
- 3" diameter, 27-3/4"L (table height), 34-1/4" L (counter height)
- The leg features a non-visible "adapter" used to attach the leg to a table
- Legs have built in 1-1/8" adjustable feet
- Packs include: (1) leg, (1) bracket, (1) adapter and screws

Finish	Table Height Item #	Counter Height Item #
Brushed Steel	CM620-7S-ST	CM620-8S-ST

A
B
C
D
E
F
G
H
I
J
K
L
M
N
O
P
Q
R
S
T
U
V
W
X
Y

STEEL TABLE LEGS & TABLE BASES



Steel Table Leg, 3" Diameter

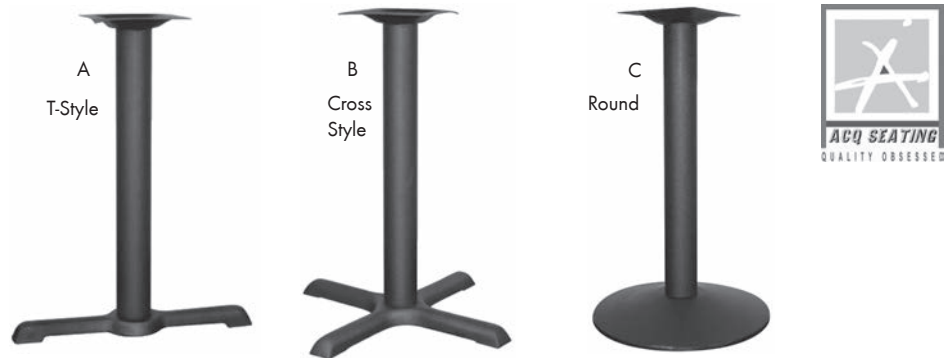


- Load bearing capacity of 660 lbs. per leg
- 3" diameter, 27-3/4" length (table height)
- Mounting plate is welded to leg extension and has a 6" diameter and four screws holes
- Legs can be extended by 9" by rotating the top of the leg
- Packs include: (1) leg and screws

Finish	Item #
Brushed Chrome	CM624-7S-ST

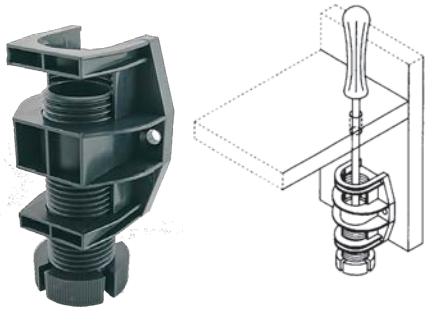
Table Bases, T-Style, Cross-Style & Round

- All tables bases include: floor protecting glides, a spider, a column, and a base
- Spiders and columns are made of steel and bases are made of cast iron
- All table bases require assembly
- Available in two heights: standard height is 29" and bar height is 40-3/4"



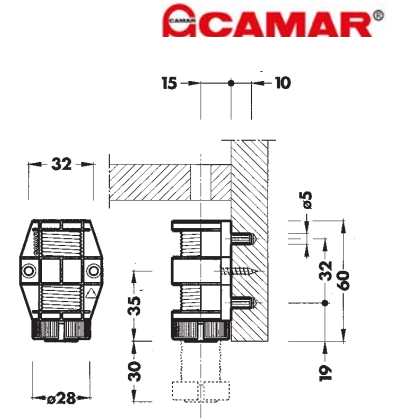
	Item#	Base Spread	Column Diameter	Mount Plate (Spider) Size	Height	Finish
T-Style						
A	CQTB0522DH3	5" x 22"	3"	7-1/2"W x 7-1/2"L	29"	Black Wrinkle
Cross-Style						
B	CQTB2222DH3	22" x 22"	3"	7-1/2"W x 7-1/2"L	29"	Black Wrinkle
	CQTB2230BH3	22" x 30"	3"	7-1/2"W x 7-1/2"L	40-3/4"	Black Wrinkle
	CQTB3030DH3	30" x 30"	3"	7-1/2"W x 7-1/2"L	29"	Black Wrinkle
	CQTB3636DH4	36" x 36"	4"	8"W x 8"L	29"	Black Wrinkle
Round						
C	CQTB22R-DH3	22" Diameter	3"	7-1/2"W x 7-1/2"L	29"	Black Wrinkle
	CQTB30R-DH4	30" Diameter	4"	8"W x 8"L	29"	Black Wrinkle

FURNITURE LEVELERS

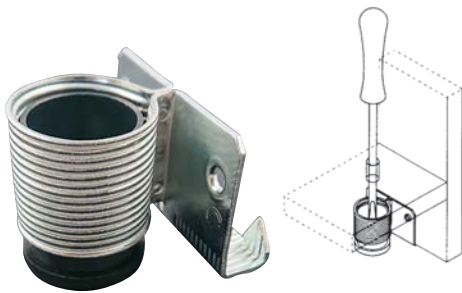


**Economy ABS Plastic Leveler
One Piece**

- Designed to attach to panel
- Two 5mm dowels spaced 32mm apart for line boring and 2 holes for wood screws
- Can be adjusted with slotted screwdriver
- Leveler's base extends 1"

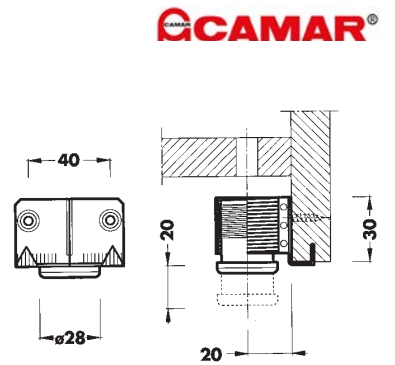


Item#	Weight Capacity	Base Diameter	Height
CM302-P2-RA	170 lbs.	1-1/16"	1-7/64"



**Regular Duty, Metal Leveler
One Piece**

- Designed to attach to panel
- Metal leveler with threaded ABS insert
- Slotted screwdriver adjustment
- Leveler's base extends 1"

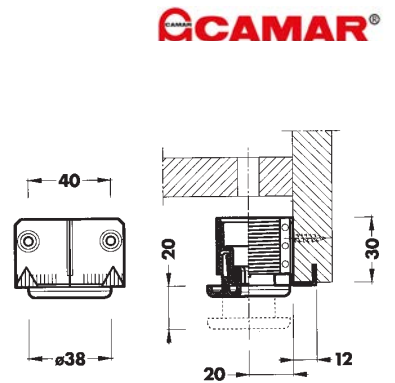


Item#	Weight Capacity	Base Diameter	Height
CM300-Z2-A2	220 lbs.	1-1/8"	1-9/32"



**Heavy Duty, Metal Leveler
One Piece**

- Designed to attach to panel
- Metal leveler with metal insert and large floating ABS foot
- Adjusted with hex key (key included)
- Leveler's base extends 1"



Item#	Weight Capacity	Base Diameter	Height
CM300-Z2-Z2	330 lbs.	1-1/2"	1-5/16"

A
B
C
D
E
F
G
H
I
J
K
L
M
N
O
P
Q
R
S
T
U
V
W
X
Y

A
B
C
D
E
F
G
H
I
J
K
L
M
N
O
P
Q
R
S
T
U
V
W
X
Y

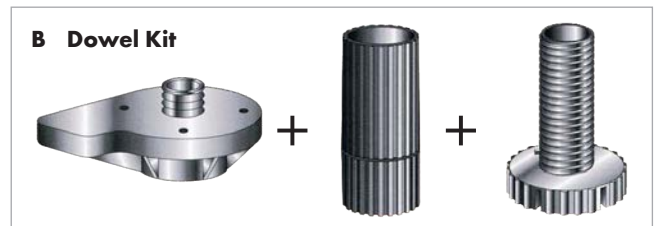
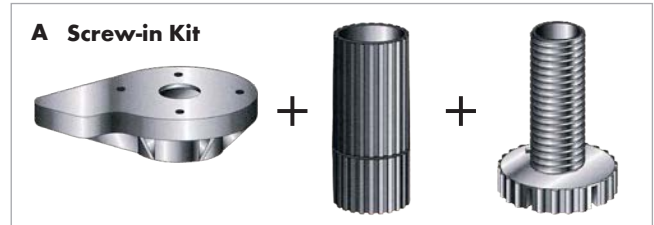
PLASTIC CABINET LEVELERS

Plastic Cabinet Leveler Kits

Heavy Duty Leveler, Leveler Tube & Socket Kits

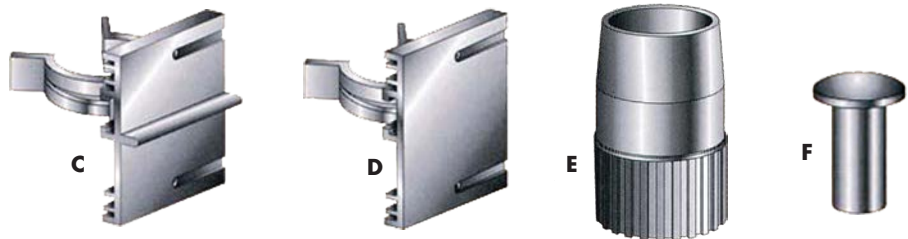


- Hardware Concepts' Heavy Duty cabinet leveler kits
- Leveler/Socket Kits are available in two versions: screw in (A) and 25/32" diameter dowel sockets (B) and all levelers are adjustable from 3-7/8" to 5-3/4" with an 2-1/4" diameter foot
- Optional items:
 - Toe Kick Clips are available in two versions: screw in (C) and spline (D)
 - Leveler Extension (E) is available in one version: 1-1/2" extension
 - 25/32" Diameter Cover Caps (F) for Dowel Sockets are available in two versions: black and white
- Maximum height of leveler with leveler extension is 7-1/4"
- 1,500 lbs. maximum weight capacity for a set of 4 levelers
- Made of High Impact Polypropelene
- Available in a black and white finishes



Packing: As shown below.

Sold In: Full box quantities only.

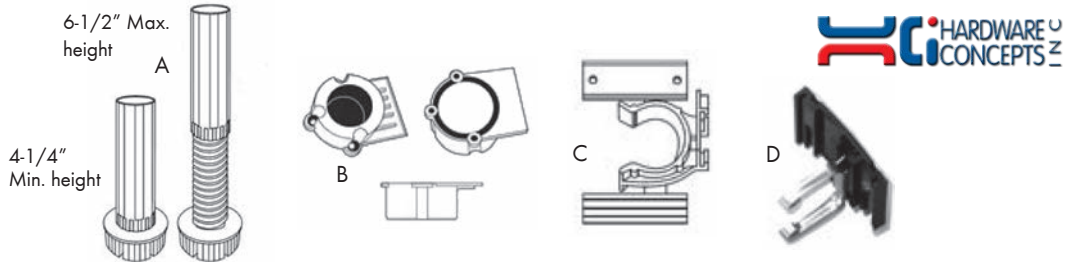


	Item#	Finish	Product Dimensions	Description	Box Qty
Adjustable Plastic Leveler/Socket Kit					
A	PL5600-000	Black	Adj. Height - 3-7/8" to 5-3/4" w/ 2-1/4" Diameter Foot	Kit Includes: Adj. Leveler, Leveler Tube & Screw In Socket, with a weight capacity of 375 lbs. per leveler	100
	PL5600-010	White	Adj. Height - 3-7/8" to 5-3/4" w/ 2-1/4" Diameter Foot	Kit Includes: Adj. Leveler, Leveler Tube & Screw In Socket, with a weight capacity of 375 lbs. per leveler	100
B	PL5620-000	Black	Adj. Height - 3-7/8" to 5-3/4" w/ 2-1/4" Diameter Foot	Kit Includes: Adj. Leveler, Leveler Tube & Dowel Socket w/ 25/32"Dia. Dowel, with a weight capacity of 375 lbs. per leveler	100
	PL5620-010	White	Adj. Height - 3-7/8" to 5-3/4" w/ 2-1/4" Diameter Foot	Kit Includes: Adj. Leveler, Leveler Tube & Dowel Socket w/ 25/32"Dia. Dowel, with a weight capacity of 375 lbs. per leveler	100
Optional - Toe Kick Clip					
C	PL5696-000	-	2-1/8"H x 1-1/2"W	Toe Kick Clips Includes: White Clip & Black Screw In Plate	100
D	PL5695-000	-	1-3/8"H x 1-3/8"W	Toe Kick Clip Includes: White Clip & Black Spline Plate	100
Optional - Leveler Extension					
E	PL5675-000	Black	1-1/2" Extension Height	Designed for Leveler PL5600 Series Kits to add 1-1/2" Height for a Total Height of 7-1/4"	100
	PL5675-010	White	1-1/2" Extension Height	Designed for Leveler PL5600 Series Kits to add 1-1/2" Height for a Total Height of 7-1/4"	100
Optional - Dowel Socket Cover Caps					
F	PL5720-014	Black	25/32" Diameter	Designed for PL5620 Series Kits to Cover the Socket's Dowel	100
	PL5720-010	White	25/32" Diameter	Designed for PL5620 Series Kits to Cover the Socket's Dowel	100

PLASTIC CABINET LEVELERS

Leveler, Socket & Toe Kick Clip

- Made of high impact polypropylene
- Black finish



Item#	Product Dimensions	Description	Box Qty
Adjustable Plastic Leveler			
A	PL5858-335	Adj. Height - 4-1/4" to 6-1/2" w/ 1-5/8" Dia. Foot	Weight capacity of 420 lbs. per leveler 500
Plastic Sockets			
B	PL5800-000	Screw-In Socket	500
Toe Kick Clip			
C	PL5897-000	Plastic Clip w/Screw-On & Spline	1000
D	PL5899-000	Plastic Clip - with Plastic Plate w/Double Sided Adhesive	1000

Plastic Levelers, Sockets & Toe Kick Clips

- Adjustable plastic levelers allow for precision adjustment of cabinetry
- All leveler components are made of virgin ABS
- Levelers have a weight bearing capacity of 330 lbs. per leveler



Type	Item#	Description
Cabinet Levelers		
A	1" Adjustable	CM415-10-P2 3-3/4"-4-3/4", Black Plastic
	1" Adjustable	CM415-11-P2 4-1/8"-5-1/8", Black Plastic
	1" Adjustable	CM415-13-P2 4-7/8"-5-7/8", Black Plastic
B	2-1/2" Adjustable	CM418-10-P2 3-3/4"-6-1/4", Black Plastic (Note: Does not work with Socket CM840-00-RI)
Cabinet Leveler Sockets		
C	10mm Dowel & Screw Mount	CM840-10-P2 With "V" Plate, 10mm Dowel and Screw Mount, Black Plastic
	15mm Dowel & Screw Mount	CM840-15-P2 With "V" Plate, 15mm Dowel and Screw Mount, Black Plastic
D	Screw Mount with "V" Plate	CM840-H5-P2 With "V" Plate, Screw Mount, Black Plastic
E	Hollow Bolt & Screw Mount	CM840-00-R1 With M10 Hollow Bolt, Screw Mount, Black Plastic (Note: Does not work with Leveler CM418-10-P2)
Toe Kick Clips		
F	Black	CM202-AN-C2 4-Finger Clip/Groove Mount
G	Black	CM202-V1-T2 4-Finger Clip/Screw Mount
H	Black	CM228-AN-C2 2-Finger Clip/Groove Mount
I	Black	CM228-V1-T2 2-Finger Clip/Screw Mount

A
B
C
D
E
F
G
H
I
J
K
L
M
N
O
P
Q
R
S
T
U
V
W
X
Y

PLASTIC CABINET LEVELERS

Levelers, Sockets & Plinth Clips Black Finish

- Legs are available in two versions: adjustable from 2-3/8" to 3-1/2" or 3-5/8" to 5-7/8"
- Sockets available screw in and rivet versions
- Knock in plinth clip eliminates need for drilling



Titus

	Item#	Leveler Height Range	Description
Adjustable Plastic Levelers			
A	TT02570LA	Adj. Height - 2-3/8" to 3-1/2"	Adj. Leg, 15/16" drilling distance from cabinet edge
B	TT02666LA	Adj. Height - 3-5/8" to 5-7/8"	Adj. Leg, 15/16" drilling distance from cabinet edge
Plastic Sockets			
C	TT02559	1-1/3" Square	Screw-In Socket, 15/16" Screw-In Distance to cabinet edge
D	TT02663LA	19/32" Dia. x 31/64" Drill Depth	Rivet Socket, 1-1/4" Drilling Distance to cabinet edge
Knock-On Plinth Clip			
E	TT02523LA	5/32" Thick Knock-On	Designed to hold legs at 15/16" distance



One Piece Leveler/Socket, Black Finish

ACAMAR®

- Leveler & socket combo, (socket molded to leveler)
- All plastic levelers are made of virgin ABS which provides extra strength and stability
- Leveler is 3-3/4" tall fully compacted and extends to a maximum of 5-3/4"
- Plastic levelers and sockets weight capacity per unit: 330 lbs.
- Includes hollow bolt to mount socket/leveler to cabinet

Item#	Height Range	Weight Capacity	Mounting
CM446-P2-S3	Height Adj. 3-3/4" - 5-3/4"	330 lbs.	Hollow-Bolt



Foldable Plastic Cabinet Levelers

ACAMAR®

One Piece Leveler/Socket/Toe Kick Clip

- Screw-on version is a leveler/socket/toe kick clip that are constructed to form a single piece
- Adjustable plastic leveler/socket/toe kick clip combos allow for precision adjustment of cabinetry
- All plastic levelers are made of virgin ABS which provides extra strength and stability
- Leveler is 3-1/2" tall, fully compacted and extends to a maximum of 6-1/2"
- One simple motion takes the leveler to the desired position
- Includes: leveler/socket and both push-down and adhesive toe kick clips

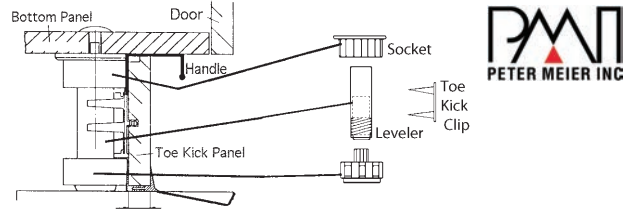
Item #	Product Dimension	Mounting	Finish
CM478-10-P2	Height Adj. 3-1/2" to 6-1/2"	Screw-On	Black



METAL CABINET LEVELERS

Metal Levelers, Sockets & Toe Kick Clips

- Adjustable metal levelers allow for precision adjustment of cabinetry
- Metal levelers have ABS plastic feet
- Levelers feature tapered tops, which ensures a tight connection with the socket
- Levelers have a weight bearing capacity of 330 lbs. per leveler



Item#	Description	Products Dimension	Mounting	Finish	
Metal Leveler					
A	CM345-10-02	Height Adj. 4" - 6"	-	Metal	
B	CM350-10-02	Height Adj. 3-1/2" - 4-3/4"	-	Metal	
Metal Sockets					
C	CM835-E1-00	Screw-In Socket	2-3/8" Square	Screw-In	Metal
Toe Kick Clips					
D	CM202-AN-C2	4-Finger Clip	-	Groove Mount	Black
E	CM202-V1-T2	4-Finger Clip	-	Screw Mount	Black
F	CM228-AN-C2	2-Finger Clip	-	Groove Mount	Black
G	CM228-V1-T2	2-Finger Clip	-	Screw Mount	Black



Metal Leveler Set

- Set includes: (4) levelers, (4) sockets, (2) groove mount toe kick clips
- Metal leveler set adjusts from 4" to 6"



Item#	Set Includes Leveler	Set Includes Socket	Set Includes Toe Kick Clip	Set Includes Cover Caps
CM400-028B	(4)CM345-10-02, Height Adj. 4" - 6"	(4)CM835-E1-00, 2-3/8" O.D. Screw Mount (Screws not Inc.)	(2)CM202-V1-T2, 4-Finger, Screw Mount	Not included

A METAL CABINET LEGS



Zinc Cabinet Leg



- Threaded steel stud or removable mounting plate provided for easy mounting of legs to equipment
- Foot inserts are hex shaped to permit quick height adjustment of up to 1-1/2"
- Static load rating of 2000 lbs. per leg
- Furnished with 3-1/2" square removable mounting plate

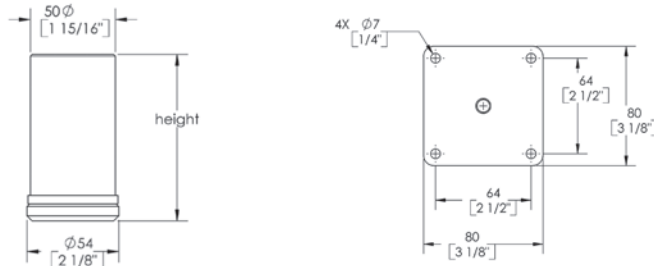
Item#	Dimensions
SKA63-4002	3-1/2" Sq. Top Plate x 6"H



**Steel Cabinet Legs, 2" Diameter
4" & 6" Heights**



- Weight capacity per leg is 660 lbs.
- 1-1/8" adjustable black plastic foot
- All cabinet legs are individually packed to include cabinet leg, 3" square mounting plate (screws are not included)



Finish	4" Tall Item#	6" Tall Item#
Matte Black	CM552-10-19	-
Brushed Steel	CM552-10-ST	CM552-15-ST



Aluminum Cabinet Leg



- Made of 100% aluminum
- Bottom of legs feature an attached thick felt pad
- 1" adjustable foot
- Includes Mounting Plate

Item#	Finish	Foot Size	Mounting Plate Size
CM086-M	Matte Aluminum	1-3/4 Diameter	3-1/8"W x 3-1/8"L

LEVELING WEDGE & T-NUTS



Leveling Wedge, Breakaway

- Black nylon wedge with 8 section snap-off units sized from 1/16" to 5/16" thick
 - Complete/full wedges are 13/16" wide x 4" long
- Packing: Full box quantity of 200.
Sold In: Full box quantities only.



Item#
CNP460



T-Nuts, Steel



- T-nut fasteners can be hammered quickly into drilled holes and provide threads that simplify joining wood to wood or metal to metal pieces
- Box quantities as shown below. Sold in full boxes only.

Item#	Thread Size	Hole Drill Size	Flange Diameter	Barrel Height	Prong Height	Box Qty
TN142053-C	1/4" Dia. x 20 Gauge	5/16"	3/4"	5/16"	7/32"	100
TN561863T-C	5/16" Dia. x 18 Gauge	3/8"	7/8"	3/8"	1/4"	100

Item#	Thread Size	Hole Drill Size	Flange Diameter	Barrel Height	Prong Height	Box Qty
TN142053	1/4" Dia. x 20 Gauge	5/16"	3/4"	5/16"	7/32"	500
TN561863T	5/16" Dia. x 18 Gauge	3/8"	7/8"	3/8"	1/4"	500

ORDERING MADE EASY!

Scan Code To Install The New Würth Baer Supply Mobile App!



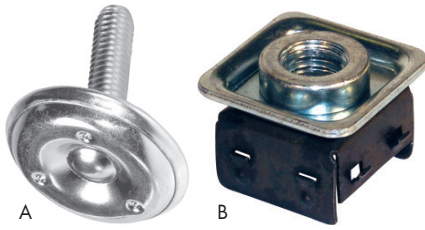
SCAN • CHECK • BUY



For more information contact Würth Baer Supply Webmaster at 888-922-2237 or your local sales representative.

A
B
C
D
E
F
G
H
I
J
K
L
M
N
O
P
Q
R
S
T
U
V
W
X
Y

A GLIDES



Leveling Swivel Glides, Adjustable

- Glides have either metal or plastic floor base and swivel from stem
- Optional 1" square metal insert bushing is designed for the 1" square table legs; sold separately

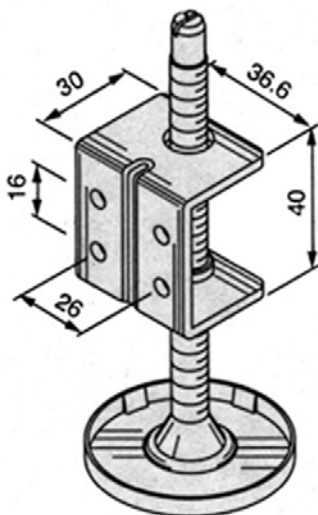
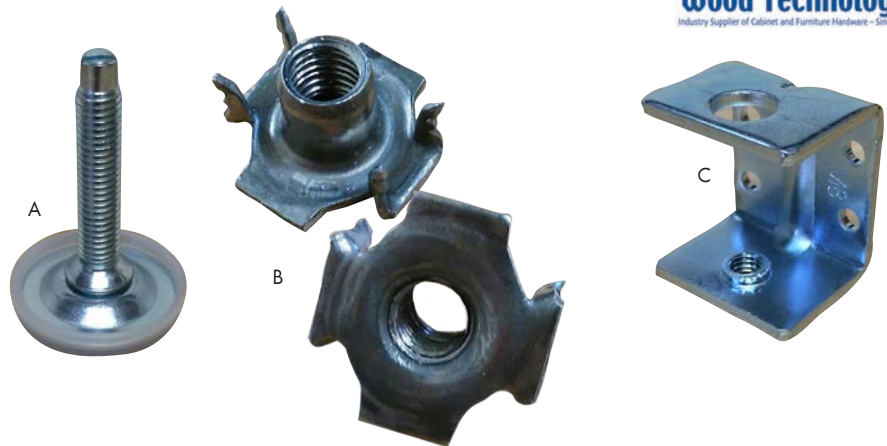
Superior Components, Inc.

	Item#	Base Material	Base Color/Shape	Base Dia.	Stem Thread (Dia. x Gauge)	Stem Length
Swivel Glides						
A	GD7433	Plastic	Nickel/Round	1-1/8"	1/4"-20	1"
	GD9601	Metal	Zinc/Round	1-3/4"	3/8"-16	1-1/4"
Optional, Metal Insert Bushing for 1" Square Legs						
B	GD3066	Metal	Black/Metal/Square	-	1/4"-20	-
	GD3060	Metal	Black/Metal/Square	-	3/8"-16	-

Leveling Swivel Glides, Glides, T-Nuts and U Bracket Systems

- Slotted tops, swivel base and clear protective plastic cap bottom
- Glides, t-nuts and u-brackets have corresponding metric M8 thread pattern
- Glides are available in 2", 2-3/4" and 4" total lengths
- T-nuts are .43"H

Wood Technology
Industry Supplier of Cabinet and Furniture Hardware - Since 1978

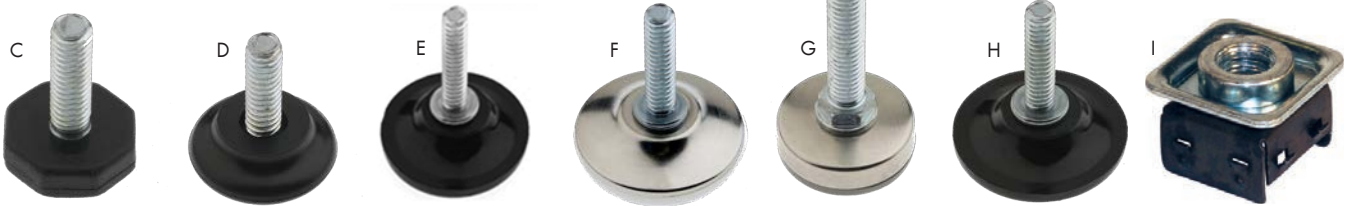
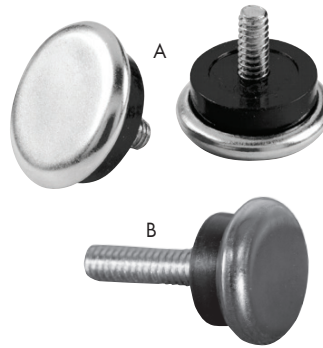


	Item#	Glide Length
Glides - 33Mm Dia. (Approx. 1-5/16")		
A	WY4062	2"
	WY4064	2-3/4"
	WY4066	4"
T-Nuts		
B	WY4090	-
U-Bracket - 1-1/2" X 1-1/2" X 1-1/2"		
C	WY4060	-

GLIDES

**Leveling Non-Swivel Glides
Economy Height Adjustable**

- Standard duty glides that do not swivel from the stem
- Offered in 6 different base materials: Nickel, Plastic, Polypropylene, PVC, Polyethylene, & Steel
- Range of floor base diameters offered: 7/8" - 1-7/8"
- Available in 3 different stem threads: 1/4"-20, 5/16"-18, & 3/8"-16
- Optional metal insert bushing is designed to fit 1" square leg bases



	Item#	Base Material	Base Color/Shape	Floor Base Dia.	Stem Thread Dia. x Gauge	Stem Length
Economy Height Adjustable, Standard Duty, Non-Swivel Glides						
A	SD9449	Nickel Under Rubber Cushion	Metal/Round	7/8"	1/4" x 20	1/2"
B	CC7814	Plastic w/Nickel Plated Shell	Black/Round	7/8"	1/4" x 20	1"
C	GI609-4214	Polypropylene	Black/Octagonal	1"	1/4" x 20	1"
	GI609-4636	Polypropylene	Black/Octagonal	1"	5/16" x 18	1-1/2"
D	GI610-4413	PVC	Black/Round	1"	1/4" x 20	3/4"
	GI610-0113	Plastic	Clear/Round	1"	1/4" x 20	3/4"
	GI610-4213	Polyethylene	Black/Round	1"	1/4" x 20	3/4"
E	GI643-411-081	Polyethylene	Black/Round	1-1/8"	1/4" x 20	1"
	GI643-621-081	Polyethylene	White/Round	1-1/8"	1/4" x 20	1"
	GI643-412-081	Polyethylene	Black/Round	1-1/8"	5/16" x 18	1"
F	GI673-722-121	Polyethylene	Metal Shell/White/Round	1-1/8"	5/16" x 18	1-1/2"
G	GI665-133-121	Chrome Plated Steel	Chrome/Gray/Round	1-3/8"	3/8" x 16	1-1/2"
	GI665-123-121	Chrome Plated Steel	Chrome/White/Round	1-3/8"	3/8" x 16	1-1/2"
H	SE2336	Plastic	Black/Round	1-7/8"	3/8" x 16	1-7/8"
Optional, Metal Insert Bushing for 1" Square Legs						
I	GD3066	Metal	Black/Metal/1" Square	-	1/4" x 20	-
	GD3060	Metal	Black/Metal/1" Square	-	3/8" x 16	-

A
B
C
D
E
F
G
H
I
J
K
L
M
N
O
P
Q
R
S
T
U
V
W
X
Y

A
B
C
D
E
F
G
H
I
J
K
L
M
N
O
P
Q
R
S
T
U
V
W
X
Y

GLIDES



Plastic Nail On Glides, Economy



- Plastic flat head nail-on glides
- Glides have 3/16" thick plastic heads and 1 1/16" long nails

Color	Head Diameter	200/Box Item#	2,000/Box Item#
Gray	1/2"	PL33-72-C2	PL33-72
Gray	5/8"	PL33-73-C2	PL33-73
Brown	5/8"	-	PL33-73BRN
Gray	3/4"	PL33-74-C2	PL33-74
Brown	3/4"	-	PL33-74BRN
Gray	7/8"	PL33-75-C2	PL33-75

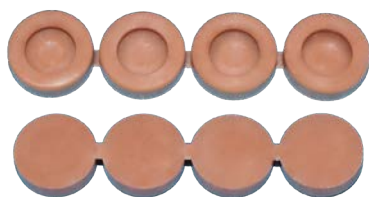


Nail On Rubber Glides



- Cushioned, swivel glides

Item#	Base Diameter
SE2408	7/8"

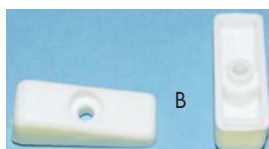
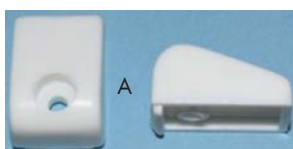


Plastic Glide Strips, Staple-On



- Strip of 4 allows easy stapling of one button then a quick twist frees remaining buttons
- 5/8" outside diameter x 3/16" thick with interior diameter of 3/8" to apply staple
- Sold in full box quantities

Item#	Glide Color	Box Qty
PL295T-30	Tan	1,000



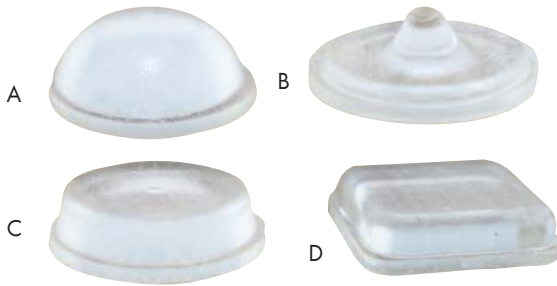
Drawer Bumpers Screw-On



- Made of Plastic
- Sold without screws (1/2" x 4)

	Size	Description	White Item#	Almond Item#
A	1/2" Thick x 1" L	With Reference Tab	PL4604WH	PL1937AL
B	1/2" Thick x 1-1/4" L	With Reference Tab	PL4602WH	PL4602AL
C	1/2" Thick x 1-1/4" L	No Reference Tab	PL1938WH	PL1938AL
D	3/4" Thick x 2" L	With Reference Tab	PL1939WH	PL1939AL

BUMPERS



Würth Bumpers



- Easy "Peel-Off" & "Quick Stick"
- Vibration and Shock Dampening
- Crack-Resistant and Resilient
- Non-Staining and Non-Marring
- RoHS Compliant
- Stocking: Clear Bumpers, sold-In per sheet quantities
- Non-Stock: Black, White, & Brown Bumpers, sold-In per box quantities

Sample Board Item#	Item#	In Stock	Color	Size	Bumpers per Sheet	Sheets per Box	Bumpers per Box	
Hemispherical								
A	0683 135 589	WW0683135589	Yes	Clear	0.437" Dia x 0.2"H	50	100	5,000
	0683 135 591	WW0683135591	No	Black	0.437" Dia x 0.2"H	50	100	5,000
	0683 135 593	WW0683135593	No	White	0.437" Dia x 0.2"H	50	100	5,000
	0683 135 595	WW0683135595	No	Brown	0.437" Dia x 0.2"H	50	100	5,000
	0683 135 571	WW0683135571	No	Black	0.375" Dia x 0.15"H	50	144	7,200
	0683 135 573	WW0683135573	No	White	0.375" Dia x 0.15"H	50	144	7,200
	0683 135 570	WW0683135570	Yes	Clear	0.375" Dia x 0.15"H	50	144	7,200
	0683 135 564	WW0683135564	Yes	Clear	0.312" Dia x 0.085"H	75	72	5,400
	0683 135 565	WW0683135565	No	Black	0.312" Dia x 0.085"H	75	72	5,400
	0683 135 566	WW0683135566	No	White	0.312" Dia x 0.085"H	75	72	5,400
Specialty								
B	0683 135 649	WW0683135649	Yes	Clear	0.5" Dia x 0.14"H	50	100	5,000
	0683 135 679	WW0683135679	Yes	Clear	0.5" Dia x 0.2"H	50	100	5,000
Cylindrical								
C	0683 135 515	WW0683135515	Yes	Clear	0.65" Dia x 0.4"H	32	80	2,560
	0683 135 706	WW0683135706	No	White	0.5" Dia x 0.14"H	50	100	5,000
	0683 135 514	WW0683135514	No	Black	0.5" Dia x 0.14"H	50	100	5,000
	0683 135 705	WW0683135705	Yes	Clear	0.5" Dia x 0.14"H	50	100	5,000
	0683 135 707	WW0683135707	No	Brown	0.5" Dia x 0.14"H	50	100	5,000
	0683 135 545	WW0683135545	Yes	Clear	0.5" Dia x 0.25"H	50	100	5,000
	0683 135 546	WW0683135546	No	Black	0.5" Dia x 0.25"H	50	100	5,000
	0683 135 703	WW0683135703	No	White	0.5" Dia x 0.25"H	50	100	5,000
	0683 135 527	WW0683135527	Yes	Clear	0.4" Dia x 0.125"H	40	154	6,160
	0683 135 694	WW0683135694	No	White	0.4" Dia x 0.125"H	40	154	6,160
	0683 135 528	WW0683135528	No	Black	0.4" Dia x 0.125"H	40	154	6,160
	0683 135 620	WW0683135620	Yes	Clear	0.375" Dia x 0.19"H	50	145	7,250
	Square							
D	0683 135 639	WW0683135639	Yes	Clear	0.5"Sq x 0.12"H	50	100	5,000
	0683 135 640	WW0683135640	No	Black	0.5"Sq x 0.12"H	50	100	5,000
	0683 135 641	WW0683135641	No	White	0.5"Sq x 0.12"H	50	100	5,000
	0683 135 642	WW0683135642	No	Brown	0.5"Sq x 0.12"H	50	100	5,000

A
B
C
D
E
F
G
H
I
J
K
L
M
N
O
P
Q
R
S
T
U
V
W
X
Y

A
B
C
D
E
F
G
H
I
J
K
L
M
N
O
P
Q
R
S
T
U
V
W
X
Y

POLYURETHANE BUMPERS



Polyurethane Bumpers Adhesive Backed



- Made of durable polyurethane polymer
- High quality pressure sensitive adhesive backing
- Sold in full box quantities

	Item#	Size	Shape	Color	Bumpers per Sheet	Box Qty
A	PJ1CLP	1/2" Dia. x 9/64" Thick	Cylindrical	Clear	200	1,000
	PJ1CL	1/2" Dia. x 9/64" Thick	Cylindrical	Clear	200	5,000
B	PJ27CLP	5/16" Dia. x 3/32" Thick	Hemispherical	Clear	450	1,350
	PJ27CL	5/16" Dia. x 3/32" Thick	Hemispherical	Clear	450	5,400
C	PJ2CLP	7/16" Dia. x 7/32" Thick	Cylindrical	Clear	242	1,210
	PJ2CL	7/16" Dia. x 7/32" Thick	Cylindrical	Clear	242	5,082



Sound Dampening Bumpers Adhesive Backed



- Made of durable polyurethane polymer
- High quality pressure sensitive adhesive backing
- Sold in full box quantities

	Item#	Size	Shape	Color	Bumpers per Sheet	Box Qty
A	PJBS-33SD-P	1/2" Dia. x 5/32" Thick	Cylindrical	Clear	200	1,000
B	PJBS-58SD	1/2" Dia. x 7/32" Thick	Cylindrical	Clear	200	5,000
	PJBS-58SD-P	1/2" Dia. x 7/32" Thick	Cylindrical	Clear	200	1,000
C	PJBS-12SD	3/8" Dia. x 5/32" Thick	Hemispherical	Clear	288	7,200
	PJBS-12SD-P	3/8" Dia. x 5/32" Thick	Hemispherical	Clear	72	1,008



Polyurethane Premium Round Shaped, Adhesive Backed



- Premium self adhesive bumpers provide protection
- Close doors without an annoying thud
- High quality polyurethane stays soft, no drying or cracking over time
- Sold in full box quantities

	Item#	Color	Size	Box Qty
A	GFBP-C	Clear	7/16" Dia. x 1/8" Thick	500
B	GFSBP-C	Clear	7/16" Dia. x 1/16" Thick	500
C	GFASP-C-5MM	Clear Airsoft	15/32" Dia. x 3/16" Thick	500

BUMPERS



Hemisphere Shaped



Hexagon/Cone Shaped



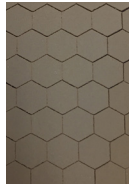
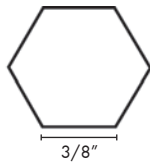
Hexagon/Hemisphere Shaped

3M "Bumpon" Bumpers



- 3M brand adhesive backing which bonds fast and permanently to most clean, dry and smooth surfaces
- Resilient material will not dry out, rot or become brittle over time
- Sold in box quantities

Thickness	Size	Transparent Item #	Box Qty
Hemisphere Shaped			
5/32"	3/8" Diameter	MMSJ6506	5,000
Hexagon/Cone Shaped			
1/8"	7/16" Diameter	MMSJ6553	5,000
Hexagon/Hemisphere Shaped			
5/32"	7/16" Diameter	MMSJ6561	5,000

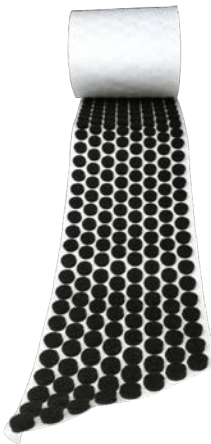


Urethane Foam Bumpers, Hex Shaped



- Hex-shaped soft urethane sponge pads with self adhesive backs
- Sold by the roll

Item#	Size	Color	Roll Qty
UE3818BN-M	3/8" Dia. x 1/8" Thick	Brown	1,000
UE3818WH-M	3/8" Dia. x 1/8" Thick	White	1,000
UE3818BN	3/8" Dia. x 1/8" Thick	Brown	5,000
UE3818WH	3/8" Dia. x 1/8" Thick	White	5,000



Felt Bumpers, Adhesive Backed



- Pressure sensitive adhesive backing
- Sold by the roll

Item#	Size	Color	Roll Qty
FD38W-M	3/8" Dia. X 1/8" Thick	White	1,000
FD38W	3/8" Dia. X 1/8" Thick	White	5,000
FD38B-M	3/8" Dia. X 1/8" Thick	Dark Brown	1,000
FD38B	3/8" Dia. X 1/8" Thick	Dark Brown	5,000

A
B
C
D
E
F
G
H
I
J
K
L
M
N
O
P
Q
R
S
T
U
V
W
X
Y

BUMPERS/STOPS



Cork Bumpers

- Pressure sensitive adhesive backing
- Sold by the roll



Item#	Size	Roll Qty
FDCP5-M	3/8" dia. x .075" Thick	1,000
FDCP5	3/8" dia. x .075" Thick	5,000



Screw-On Bumpers

- Protects surfaces from being damaged and deadens sound of closing doors and drawers
- Made from soft rubber, bumpers are 7/8" diameter and 3/8" tall
- 4 bumpers per pack - includes screws



Item#	Color
SD9131	Off-White



Cabinet Door Protector Bumpers

- Protects doors from being unintentionally marred from drawer pull-outs
- Bumpers have PSA backing which can be used by removing protective liner
- Bumpers can be applied with supplied PSA or screwed in, or both
- Sold in pack quantities



Item#	Description	Pack Qty
FADRAWERBUMPER	Drawer Bumper, White	10
FAKKMETSCR100	5/8" PowerHead Screws	100

**PROTECT DOORS FROM
DRAWER SLIDE SCRATCHES**



BUMPERS/STOPS



**MAKE YOUR INSET DOORS
LOOK THEIR BEST!**



Inset Door Stops, Adjustable



- Constructed of soft rubber
- Doors stops are .575" in diameter and .3125" tall
- Off center screw hole allows door stop to be rotated to varied distances from door

Item#	Color	Pack Qty
Without Screws		
FAEURODOORSTOP-B	Dark Brown	10
FAEURODOORSTOP-C	Clear	10
FAEURODOORSTOP-W	White	10
With Screws		
FAEURODOORSTOP-BWS	Dark Brown	10
FAEURODOORSTOP-CWS	Clear	10
FAEURODOORSTOP-WWS	White	10
Bulk, Without Screws		
FAEURODSBULK-BRN	Dark Brown	100
FAEURODSBULK-CLR	Clear	100
FAEURODSBULK-WHT	White	100

Inset Door Stop, Plastic



- Used primarily as a door stop for inset doors hung with European concealed hinges to ensure a "flat" cabinet face
- European hinges "over-close" without the cabinet side to rest against, the door goes beyond 90°
- By mounting this stop on the cabinet floor, the door's closing is stopped at 90 degree flat position
- Specifications: 7/16"W x 1/2"H
- Sold in full box quantities



Item #	Color	Box Qty
PGH950CL-C	Clear	100
PGH950CL	Clear	1000

A
B
C
D
E
F
G
H
I
J
K
L
M
N
O
P
Q
R
S
T
U
V
W
X
Y

PLATE MOUNTED CASTERS



Roller Swivel Furniture Casters Without Brake Light Duty, 65 lbs. Weight Capacity



- Plate finish is Zinc with a white plastic wheel
- Smooth and easy rolling
- Plate size: 1-5/8" x 1-1/4"
- Applications: Office furniture, light duty carts, juvenile furniture

Item#	Wheel Dia.	Tread Width	Overall Height
CCR158POZ	1-5/8"	5/8"	1-7/8"



Double Ball-Bearing Swivel Casters Without Brake Light Duty, 70 to 80 lbs. Weight Capacity



- Used for wood base office furniture
- Plate Size: 1-1/8" x 2"
- Plate Fastening: 2" x 1-3/16" with (4) #8 holes
- Finish: Copper Oxide with a soft black rubber wheel

Item#	Wheel Dia.	Weight Capacity	Overall Height
SD9348	1-5/8"	70 lbs.	2-5/16"
SD9346	2"	80 lbs.	2-5/8"



Fixed Rigid Casters Without Brake Medium Duty 125 to 255 lbs. Weight Capacity



- Two wheel types available: Soft Rubber and Polypropylene
- Medium soft rubber wheels provide quiet movement and maximum floor protection
- Polypropylene: Primarily used for water and chemical resistance and mobility applications
- Finish: Both types feature heavy Zinc plate for appearance as well as corrosion resistance

Item#	Wheel Dia.	Tread Width	Wheel Material	Weight Capacity	Plate Size	Overall Height
SD9481	2"	29/32"	Soft Rubber	125 lbs.	1-1/2"W x 2-21/32"L	2-1/2"
SD9482	2-1/2"	1-7/64"	Soft Rubber	175 lbs.	2-1/4"W x 4-7/16"L	3-9/32"
SD9483	3"	1-9/32"	Soft Rubber	210 lbs.	2-1/4"W x 4-7/16"L	3-27/32"
SD9396	2"	1-3/16"	Polypropylene	125 lbs.	2-5/8" W x 1-7/8"L	2-5/8"
SD9397	2-1/2"	1-1/8"	Polypropylene	175 lbs.	2-1/8" W x 4-3/4"L	3-1/4"
SD9399	4"	1-1/4"	Polypropylene	255 lbs.	2-9/16"W x 5-1/2"L	4-3/4"

PLATE MOUNTED CASTERS



Rigid without brake



Swivel with brake

Swivel & Rigid Casters

Medium Duty, 125 to 300 lbs. Weight Capacity



- With side locking brake or without brake, rigid and swivel design
- Wheel diameter sizes from 2" to 4"
- Available in hard rubber, plastic and non-marking rubber wheel material types
- Finish is corrosion-resistant Zinc Plated
- Applications: Widely used in factories and warehouses on furniture and equipment

Item#	Wheel Dia.	Tread Width	Wheel Material	Weight Capacity	Swivel Radius	Plate Size	Overall Height
Without Brake							
CCGD20PR	2"	15/16"	Plastic	125 lbs.	Rigid	1-1/2"W x 2-21/32"L	2-7/16"
CCGD20MRR	2"	15/16"	Non-Marking Gray	125 lbs.	Rigid	1-1/2"W x 2-21/32"L	2-7/16"
CCGD20HRR	2"	15/16"	Hard Rubber	125 lbs.	Rigid	1-1/2"W x 2-21/32"L	2-7/16"
CCGD20PS	2"	15/16"	Plastic	125 lbs.	1-3/4"	1-7/8"W x 2-9/16"L	2-7/16"
CCGD20MRS	2"	15/16"	Non-Marking Gray	125 lbs.	1-3/4"	1-7/8"W x 2-9/16"L	2-7/16"
CCGD20HRS	2"	15/16"	Hard Rubber	125 lbs.	1-3/4"	1-7/8"W x 2-9/16"L	2-7/16"
CCGD25HRR	2-1/2"	1-1/8"	Hard Rubber	200 lbs.	Rigid	2-1/4"W x 4-7/16"L	3-1/4"
CCGD25MRR	2-1/2"	1-1/8"	Non-Marking Gray	175 lbs.	Rigid	2-1/4"W x 4-7/16"L	3-1/4"
CCGD25PS	2-1/2"	1-1/8"	Plastic	175 lbs.	2-3/8"	2-3/4"W x 3-27/32"L	3-1/4"
CCGD25MRS	2-1/2"	1-1/8"	Non-Marking Gray	175 lbs.	2-3/8"	2-3/4"W x 3-27/32"L	3-1/4"
CCGD25HRS	2-1/2"	1-1/8"	Hard Rubber	200 lbs.	2-3/8"	2-3/4" x 3-27/32"L	3-1/4"
CCGD30PR	3"	1-1/4"	Plastic	220 lbs.	Rigid	2-1/2"W x 4-7/8"L	3-13/16"
CCGD30HRR	3"	1-1/4"	Hard Rubber	220 lbs.	Rigid	2-1/2"W x 4-7/8"L	3-13/16"
CCGD30MRR	3"	1-1/4"	Non-Marking Gray	225 lbs.	Rigid	2-1/2"W x 4-7/8"L	3-13/16"
CCGD30PS	3"	1-1/4"	Plastic	220 lbs.	2-7/16"	3-1/8" W x 4-1/16"L	3-13/16"
CCGD30HRS	3"	1-1/4"	Hard Rubber	220 lbs.	2-7/16"	3-1/8" W x 4-1/16"L	3-13/16"
CCGD30MRS	3"	1-1/4"	Non-Marking Gray	225 lbs.	2-7/16"	3-1/8" W x 4-1/16"L	3-13/16"
CCGD40HRR	4"	1-1/4"	Hard Rubber	300 lbs.	Rigid	2-3/4"W x 6"L	5"
CCGD40PS	4"	1-1/4"	Plastic	225 lbs.	3-1/4"	4"W x 5-1/18"L	5"
CCGD40HRS	4"	1-1/4"	Hard Rubber	300 lbs.	3-1/4"	4"W x 5-1/18"L	5"
With Brake							
CCGD20PSB	2"	15/16"	Plastic	125 lbs.	1-3/4"	1-7/8"W x 2-9/16"L	2-7/16"
CCGD20HR SB	2"	15/16"	Hard Rubber	125 lbs.	1-3/4"	1-7/8"W x 2-9/16"L	2-7/16"
CCGD20MR SB	2"	15/16"	Non-Marking Gray	125 lbs.	1-3/4"	1-7/8"W x 2-9/16"L	2-7/16"
CCGD25PSB	2-1/2"	1-1/8"	Plastic	175 lbs.	2-3/8"	2-3/4"W x 3-27/32"L	3-1/4"
CCGD25HR SB	2-1/2"	1-1/8"	Hard Rubber	200 lbs.	2-3/8"	2-3/4"W x 3-27/32"L	3-1/4"
CCGD25MR SB	2-1/2"	1-1/8"	Non-Marking Gray	175 lbs.	2-3/8"	2-3/4"W x 3-27/32"L	3-1/4"
CCGD30PSB	3"	1-1/4"	Plastic	220 lbs.	2-7/16"	3-1/8"W x 4-1/16"L	3-13/16"
CCGD30HR SB	3"	1-1/4"	Hard Rubber	220 lbs.	2-7/16"	3-1/8"W x 4-1/16"L	3-13/16"
CCGD30MR SB	3"	1-1/4"	Non-Marking Gray	225 lbs.	2-7/16"	3-1/8"W x 4-1/16"L	3-13/16"
CCGD40HR SB	4"	1-1/4"	Hard Rubber	300 lbs.	3-1/4"	4"W x 5-1/18"L	5"

A
B
C
D
E
F
G
H
I
J
K
L
M
N
O
P
Q
R
S
T
U
V
W
X
Y

A PLATE MOUNTED CASTERS



Rigid without brake

Swivel with brake

**Swivel & Rigid Casters
Medium Duty, 220 to 300 lbs. Weight Capacity**



- With or without brake, rigid and swivel types
- Available wheel material: Rubber, Non-Marking and Polyurethane
- Hardened raceway and yoke for extra strength

Item#	Wheel Dia.	Tread Width	Wheel Material	Weight Capacity	Swivel Radius	Plate Size	Overall Height
Without Brake							
CCLM35P1MS	3-1/2"	1-1/4"	Non-Marking (Gray)	220 lbs.	3-1/16"	2-3/8"W x 3-5/8"L	4-11/16"
CCLM4P1PUR	4"	1-1/4"	Polyurethane	275 lbs.	Rigid	2-3/8"W x 3-5/8"L	5-1/8"
CCLM4P1MR	4"	1-1/4"	Non-Marking (Gray)	240 lbs.	Rigid	2-3/8"W x 3-5/8"L	5-1/8"
CCLM4P1RR	4"	1-1/4"	Rubber	265 lbs.	Rigid	2-3/8"W x 3-5/8"L	5-1/8"
CCLM4P1PUS	4"	1-1/4"	Polyurethane	275 lbs.	3-1/2"	2-3/8"W x 3-5/8"L	5-1/8"
CCLM4P1MS	4"	1-1/4"	Non-Marking (Gray)	240 lbs.	3-1/2"	2-3/8"W x 3-5/8"L	5-1/8"
CCLM4P1RS	4"	1-1/4"	Rubber	265 lbs.	3-1/2"	2-3/8"W x 3-5/8"L	5-1/8"
CCLM5P1PUS	5"	1-1/4"	Polyurethane	300 lbs.	4"	2-3/8"W x 3-5/8"L	6-5/32"
With Brake							
CCLM35P1MSB	3-1/2"	1-1/4"	Non-Marking (Gray)	220 lbs.	3-1/16"	2-3/8"W x 3-5/8"L	4-11/16"
CCLM4P1MSB	4"	1-1/4"	Non-Marking (Gray)	240 lbs.	3-1/2"	2-3/8"W x 3-5/8"L	5-1/8"
CCLM4P1RSB	4"	1-1/4"	Rubber	265 lbs.	3-1/2"	2-3/8"W x 3-5/8"L	5-1/8"
CCLM4P1PUSB	4"	1-1/4"	Polyurethane	275 lbs.	3-1/2"	2-3/8"W x 3-5/8"L	5-1/8"
CCLM5P1PUSB	5"	1-1/4"	Polyurethane	300 lbs.	4"	2-3/8"W x 3-5/8"L	6-5/32"



**Swivel Casters With Supreme Locking Brake
Medium Duty, 265 to 275 lbs. Weight Capacity**



- Total locking when engaged "Supreme" brake locks both wheel and yoke
- 4" wheel diameter
- Wheel material available: Soft Rubber Black and Polyurethane Blue
- Hardened raceway and yoke for extra strength
- Applications: Shop carts and equipment, industrial carts and store fixtures

Item#	Wheel Dia.	Tread Width	Wheel Material	Weight Capacity	Swivel Radius	Plate Size	Overall Height
CCML4P1PUS	4"	1-1/4"	Polyurethane Blue	275 lbs.	3-1/2"	2-3/8"W x 3-5/8"L	5-1/8"
CCML4P1RS	4"	1-1/4"	Soft Rubber Black	265 lbs.	3-1/2"	2-3/8"W x 3-5/8"L	5-1/8"

PLATE MOUNTED CASTERS



**Swivel & Rigid Casters Without Brake
Low Profile, Heavy Duty,
440 lbs. Weight Capacity**



- Low profile twin wheel design for heavy weight capacity
- Excellent mobility
- Applications: Heavy equipment, stock carts

Item #	Wheel Dia.	Tread Width	Wheel Material	Weight Capacity	Swivel Radius	Plate Size	Overall Height
CCBU3P1NR	3"	1-13/16"	Nylon	440 lbs.	Rigid	3-1/4"W x 4-1/4"L	4-3/16"
CCBU3P1NS	3"	1-13/16"	Nylon	440 lbs.	2-5/16"	3-1/4"W x 4-1/4"L	4-3/16"



**Swivel Casters, Quiet Supreme Casters
Without Brake
Heavy Duty, 660 lbs. Weight Capacity**



- Precision bearing on raceway for quiet and smooth rolling
- Embossed Zinc Plated yoke for corrosion resistance

Item #	Wheel Dia.	Tread Width	Wheel Material	Weight Capacity	Swivel Radius	Plate Size	Overall Height
CCQS4OPTS	4"	2"	Orange Polyurethane	660 lbs.	3-3/16"	3-15/16"W x 4-1/2"L	5-5/8"



**Swivel & Rigid Casters Without Brake
Heavy Duty, 400 to 1,000 lbs. Weight Capacity**



- Wheel material available in Molden Rubber (Rubber & Steel) and Phenolic
- Wheel diameter from 4" to 6"
- Leg double welded for extra strength

Item#	Wheel Dia.	Tread Width	Wheel Material	Weight Capacity	Swivel Radius	Plate Size	Overall Height
CCMHD4PNR	4"	2"	Phenolic	800 lbs.	Rigid	3-15/16"W x 4-1/2"L	5-5/8"
CCMHD4PNS	4"	2"	Phenolic	800 lbs.	3-3/16"	3-15/16"W x 4-1/2"L	5-5/8"
CCMHD5MRS	5"	2"	Moldon Rubber	400 lbs.	3-7/8"	3-15/16"W x 4-1/2"L	6-1/2"
CCMHD5PNS	5"	2"	Phenolic	900 lbs.	3-7/8"	3-15/16"W x 4-1/2"L	6-1/2"
CCMHD6PNR	6"	2"	Phenolic	1000 lbs.	Rigid	3-15/16"W x 4-1/2"L	7-1/2"
CCMHD6PNS	6"	2"	Phenolic	1000 lbs.	4-37/64"	3-15/16"W x 4-1/2"L	7-1/2"
CCMHD8PNS	8"	2"	Phenolic	1000 lbs.	6"	3-15/16"W x 4-1/2"L	9-1/2"

A
B
C
D
E
F
G
H
I
J
K
L
M
N
O
P
Q
R
S
T
U
V
W
X
Y

STEM MOUNTED CASTERS

Twin Wheel Swivel Casters, Black Finish Light Duty, 70 to 85 lbs. Weight Capacity Plate

- Stem/socket and threaded mounting - with or without brake
- Easy and smooth rolling on carpet or floor
- Applications: Office furniture, store fixture and all purpose carts



Item#	Wheel Dia.	Wheel Material	Weight Capacity	Mount Type	Stem Size (Dia. x Gauge x L) Plate Size (W x L)	Overall Height
Without Brake						
CCT20T1BK	2"	Plastic	85 lbs.	Threaded	5/16"D - 18 Gauge x 1"L	2-1/8"
CCT20S1BK	2"	Plastic	85 lbs.	Stem & Socket	5/16"D - 18 Gauge x 1-1/2" L	2-1/8"
CCT15P1BK	1-1/2"	Plastic	70 lbs.	Plate	1-1/2"W x 1-1/2"L	1-3/4"
CCT20P1BK	2"	Plastic	85 lbs.	Plate	1-1/2"W x 1-1/2"L	2-1/8"
With Brake						
CCT20T1BKB	2"	Plastic	85 lbs.	Threaded	5/16"D - 18 Gauge x 1"L	2-1/8"
CCT20S1BKB	2"	Plastic	85 lbs.	Stem & Socket	5/16"D - 18 Gauge x 1-1/2" L	2-1/8"
CCT15P1BKB	1-1/2"	Plastic	70 lbs.	Plate	1-1/2"W x 1-1/2"L	1-3/4"
CCT20P1BKB	2"	Plastic	85 lbs.	Plate	1-1/2"W x 1-1/2" L	2-1/8"

Metal Hooded Swivel Casters Light Duty, 90 lbs. Weight Capacity, Stem & Socket Mount

- Rubber ball wheels easily roll on carpet
- Application: Widely used on furniture for low-pile carpeting and all hard flooring
- Socket sold separately



Item#	Wheel Dia.	Finish	Stem Thread Size	Overall Height
CCH20S1BR	2"	Brass	5/16"D x 1-1/2"L	2-1/2"
CCH20S1CR	2"	Chrome	5/16"D x 1-1/2"L	2-1/2"
Socket				
CCMS-516	-	Metal	5/16"D	-

STEM MOUNTED CASTERS



**Threaded Stem Swivel Casters With Brake
Light Duty, 100 lbs. Store Fixture Caster**



- Store fixture caster with octagonal upper cup for easy assembling
- Excellent floor protection has easy rolling, non-marking gray wheel

Item #	Wheel Dia.	Tread Width	Wheel Material	Swivel Radius	Stem Thread Size	Overall Height
CCLI30T6MSB	3"	1"	Non-Marking Gray	2-5/8"	1/2"D - 13 Gauge x 5/8"L	3-3/4"



Without brake

With brake

**Threaded Stem Mount Swivel Casters
Light Duty, 66 to 110 lbs. Weight Capacity**



- With or without brakes
- Available in Black Rubber and Non-Marking Gray
- Embossed Zinc Plated yoke

Item#	Wheel Diameter	Tread Width	Wheel Material	Weight Capacity	Swivel Radius	Stem Thread Size	Overall Height
Without Brake							
CCL20T2RS	2"	13/16"	Rubber	77 lbs.	1-13/16"	3/8" D - 16 Gauge x 1-1/4"L	2-5/8"
CCL20T1RS	2"	13/16"	Rubber	77 lbs.	1-13/16"	5/16" D - 18 Gauge x 1" L	2-5/8"
CCL20T2MS	2"	13/16"	Non-Marking	66 lbs.	1-13/16"	3/8" D - 16 Gauge x 1-1/4"L	2-5/8"
CCL20T1MS	2"	13/16"	Non-Marking	66 lbs.	1-13/16"	5/16" D - 18 Gauge x 1" L	2-5/8"
CCL30T2MS	3"	13/16"	Non-Marking	100 lbs.	2-3/8"	3/8" D - 16 Gauge x 1-1/4" L	3-5/8"
CCL30T2RS	3"	13/16"	Rubber	110 lbs.	2-3/8"	3/8" D - 16 Gauge x 1-1/4" L	3-5/8"
With Brake							
CCL20T2RSB	2"	13/16"	Rubber	77 lbs.	1-13/16"	3/8" D - 16 Gauge x 1-1/4"L	2-5/8"
CCL20T1RSB	2"	13/16"	Rubber	77 lbs.	1-13/16"	5/16" D - 18 Gauge x 1" L	2-5/8"
CCL20T2MSB	2"	13/16"	Non-Marking	66 lbs.	1-13/16"	3/8" D - 16 Gauge x 1-1/4"L	2-5/8"
CCL20T1MSB	2"	13/16"	Non-Marking	66 lbs.	1-13/16"	5/16" D - 18 Gauge x 1" L	2-5/8"
CCL30T2RSB	3"	13/16"	Rubber	110 lbs.	2-3/8"	3/8" D - 16 Gauge x 1-1/4" L	3-5/8"
CCL30T2MSB	3"	13/16"	Non-Marking	110 lbs.	2-3/8"	3/8" D - 16 Gauge x 1-1/4" L	3-5/8"

A
B
C
D
E
F
G
H
I
J
K
L
M
N
O
P
Q
R
S
T
U
V
W
X
Y

A STEM MOUNTED CASTERS



**Threaded Stem Mount Casters
Medium Duty, 220 lbs. Weight Capacity**



- With or without brake
- Made of Black Rubber
- Hardened raceway and yoke for extra strength

Item#	Wheel Dia.	Tread Width	Weight Capacity	Swivel Radius	Stem Thread Size	Overall Height
Without Brake						
CCLM3T3RS	3"	1-1/4"	220 lbs.	2-3/4"	1/2" D - 13 Gauge x 1-1/2" L	4-1/4"
With Brake						
CCLM3T3RSB	3"	1-1/4"	220 lbs.	2-3/4"	1/2" D - 13 Gauge x 1-1/2" L	4-1/4"



**Shopping Cart Casters
Medium Duty, 200 lbs. Weight Capacity**



- Deeply embossed formed yoke
- Corrosion resistant Zinc Plated finish
- Excellent mobility

Item #	Wheel Dia.	Tread Width	Wheel Material	Weight Capacity	Swivel Radius	Stem Thread Size	Overall Height
CCSC5T1PS	5"	1-1/4"	Polyurethane	200 lbs.	4"	1/2"D - 13 Gauge x 7/8"L	5-29/32"



**Appliance Casters, Split Wheel Design
Medium Duty, 250 lbs. Weight Capacity**



- Appliance casters easily move refrigerators and other heavy appliances or other items that do not required frequent movement
- White hard plastic wheels have 7/8" diameter
- Caster body is made of hardened Zinc
- Not recommended for use on cushioned vinyl and hardwood floors

Packing: 4 casters per set

Item#	Wheel Dia.	Thread Width	Wheel Material	Weight Capacity	Stem Thread Size	Body Height
SD9441	7/8"	1-1/2"	Plastic	250 lbs.	5/16" D - 18 Gauge x 3/4" L	1-1/4"