

SECTION Y - TABLE OF CONTENTS

Section Y Contents:

Amana Profiling Bits..... 2
 Amana Invectra™ and Spektra™ Bits..... 3
 Amana Straight Plunge Bits..... 4 - 5
 Amana Panel Pilot Bits..... 5
 Amana Spiral Flute Plunge Bits..... 6 - 7
 Amana Trim Bits..... 8 - 11
 Amana Solid Surface Bits..... 12 - 13
 Amana Sink Bits..... 13
 Amana Ball Bearings..... 14
 Amana Slotting Cutters..... 15
 Freud Straight, Spiral & Trim Bits..... 16 - 19
 Freud Edge Treatment & Grooving Bits..... 20 - 23
 Freud Joinery Bits..... 23 - 24
 Freud Ball Bearings..... 24
 Freud Slotting Cutters..... 25
 Bosch Trim/Cutout Bits..... 26 - 27
 Bosch Straight & Staggetooth Bits..... 28
 Bosch Joint Making & Edge Forming Bits..... 29
 Countersinks..... 30 - 31
 Vix Bits & Drill Stops..... 32
 Drill Bits..... 33 - 36
 Boring Bits..... 37 - 39
 Würth Jig Saw Blades..... 40 - 41
 Bosch Jig Saw Blades..... 42 - 43
 Festool Jig Saw Blades..... 44
 Würth Holesaws & Saw Blades..... 45
 Amana & A.G.E. Saw Blades..... 46 - 49
 Freud Saw Blades..... 50 - 52

Router Bits →
pages Y-2 - Y-29



← Vix Bits
page Y-32

Counter Sinks →
pages Y-30 - Y-31

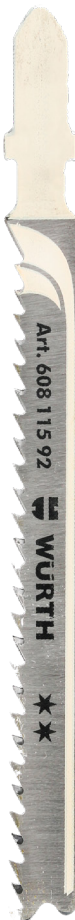


← Drill Bits
pages Y-33 - Y-36

Boring Bits ↑
page Y-37 - Y-39



Hole Saws ↑
page Y-45



← Jig Saw Blades
page Y-40 - Y-44



↑ Saw Blades
pages Y-45 - Y-52



A
B
C
D
E
F
G
H
I
J
K
L
M
N
O
P
Q
R
S
T
U
V
W
X
Y

A AMANA PROFILING BITS



Chamfer Carbide Tipped, 2 Flute with Ball Bearing Guide



- Chamfer or bevel edges for decorative effect or to form edge miter joints
- Produces crisp, uniform edges at accurate angles to make 4-, 6-, 8-, 12- or 16- sided boxes

Item#	D Cutting Diameter	B Cutting Height	d Shank Diameter	L Overall Length	a° Angle
AA49400	1-1/4"	1/2"	1/4"	2"	45°
AA49402	1-1/4"	1/2"	1/2"	2-3/8"	45°



Corner Rounding, Carbide Tipped, 2 Flute with Ball Bearing Guide



- Rounds an edge to a given radius, the tool is shouldered to cut a fillet
- The cut can be used to ease edges, as a simple profile, or as a part of a complex one

Item #	D Cutting Diameter	D1	R Radius	B Cutting Height	Diameter	Overall Length
AA49492	5/8"	1/2"	1/16"	5/16"	1/4"	1-3/4"
AA49496	3/4"	1/2"	1/8"	3/8"	1/4"	2"
AA49504	1"	1/2"	1/4"	1/2"	1/4"	2"
AA49512	1-1/4"	1/2"	3/8"	5/8"	1/4"	2-3/16"
AA49516	1-1/2"	1/2"	1/2"	3/4"	1/4"	2-1/4"
AA49518	1-1/2"	1/2"	1/2"	3/4"	1/2"	2-5/8"
AA49519	1-3/4"	1/2"	5/8"	7/8"	1/2"	2-3/4"



Multi-Rabbet Set Carbide Tipped, 2 Flute with Ball Bearing Guide

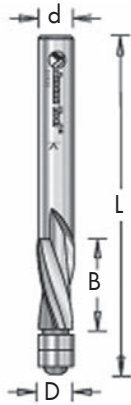


- The Multi-Rabbet bit steps in 1/16" increments from a 1/8" cut width to 1/2", simply by switching ball-bearing guides
- Six different bearings are provided
- Depth of cut capacity of 1/2"
- Use in a handheld or table-mounted router



Item #	D Cutting Diameter	A	B Cutting Height	d Diameter	L Overall Length
AA49340	1-3/8"	1/8", 1/4", 5/16", 3/8", 7/16", 1/2"	1/2"	1/4"	2"
AA49350	1-3/8"	1/8", 1/4", 5/16", 3/8", 7/16", 1/2"	1/2"	1/2"	2-3/8"

AMANA INVECTRA & SPEKTRA BITS

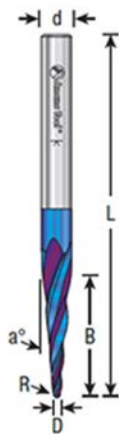


Invectra™ Aluminum Laminate Trim Bit Solid Carbide Spiral, 2 Flute with Ball Bearing Guide



- Designed for trimming all decorative aluminum laminates manufactured by Formica® (except #2178), Advanced Technology Inc. (ATI™), DecoMetal® and many others
- Each bit is fitted with a steel bearing guide that enables users to trim laminate materials flush
- Not for use on stainless steel

Item#	D Cutting Diameter	B Cutting Height	d Shank	L Overall Length
AA51430	1/4"	5/8"	1/4"	2-3/8"

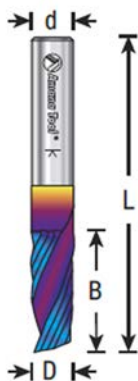


CNC 2D/3D Carving Tapered Solid Carbide, 3 Flute, Ball Nose



- Specially designed for 2D and 3D CNC profiling and carving in plastic & wood with CNC machines
- The high-shear ball nose tips cut smooth 2D and 3D contours with reduced stepping while the proprietary Spektra™ coating provides high resistance to wear, sharper cutting edges, extended tool life and less friction and heat buildup

Item #	D Cutting Diameter	B Cutting Height	a° Angle	R Radius	d Diameter	L Overall Length
AA46280-K	1/32"	1"	6.2°	1/64"	1/4"	3"
AA46286-K	1/8"	1"	3.6°	1/16"	1/4"	3"
AA46284-K	1/8"	1-1/2"	1°	1/16"	1/4"	3"



CNC Plastic Cutting Spiral 'O' Flute Solid Carbide, Single Flute, Up-Cut



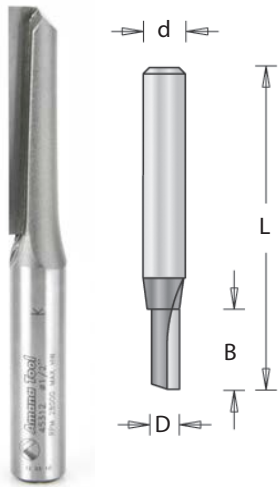
- Mirror finish benefits include razor sharp cutting edge, effortless chip removal, exceptional cut quality, helps prevent chip re-welding, extends tool life
- The Spektra™ nACo® nanocomposite micro-thin coating provides longevity and cutting results of the highest quality

Item #	D Cutting Diameter	B Cutting Height	d Diameter	L Overall Length
AA51441-K	1/16"	1/4"	1/4"	2"
AA51411-K	1/8"	1/2"	1/4"	2"
AA51446-K	1/8"	3/4"	1/4"	2-1/2"
AA51404-K	1/4"	3/4"	1/4"	2"
AA51405-K	1/4"	1"	1/4"	2-1/2"
AA51417-K	3/16"	5/8"	1/4"	2"



A AMANA STRAIGHT PLUNGE BITS

B
C
D
E
F
G
H
I
J
K
L
M
N
O
P
Q
R
S
T
U
V
W
X
Y

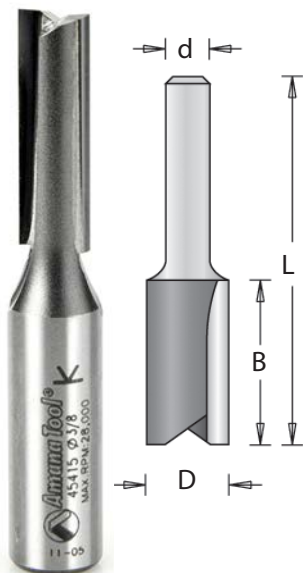


High Production Straight Plunge Carbide Tipped, Single Flute

- Extra strong carbide, last 200% longer
- Superior geometric design provides super clean cuts
- Cost effective



Item#	D Cutting Diameter	B Cutting Height	d Diameter	L Overall Length
AA45100	1/8"	7/16"	1/4"	2"
AA45102	3/16"	7/16"	1/4"	2"
AA45108	1/4"	1"	1/4"	2-1/4"
AA45308	1/2"	1-1/4"	1/2"	2-7/8"
AA45312	1/2"	2"	1/2"	4-1/4"



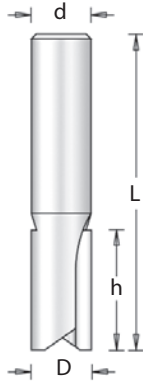
High Production Straight Plunge Carbide Tipped, 2 Flute

- Use a two-flute bit where fine finish is paramount
- Two flutes balance the bit, eliminating vibration that degrades the cut finish
- Two cuts per revolution for a smooth surface; feed rate is slightly reduced
- Extra strong carbide, last 200% longer
- Superior geometric design provides super clean cuts in wood, MDF and plywood
- Cost effective



Item #	D Cutting Diameter	B Cutting Height	d Diameter	L Overall Length
AA45200	1/8"	7/16"	1/4"	2"
AA45204	1/4"	1/2"	1/4"	2"
AA45208	1/4"	3/4"	1/4"	2"
AA45210	1/4"	1"	1/4"	2-1/4"
AA45226	1/2"	1"	1/4"	2-1/8"
AA45230	3/4"	3/4"	1/4"	2"
AA45408	1/4"	3/4"	1/2"	2-1/2"
AA45414	3/8"	1"	1/2"	2-3/4"
AA45415	3/8"	1-1/4"	1/2"	3"
AA45416	7/16"	1-1/4"	1/2"	3"
AA45418	1/2"	1"	1/2"	2-5/8"
AA45420	1/2"	1-1/4"	1/2"	2-7/8"
AA45422	1/2"	1-1/2"	1/2"	3-1/8"
AA45424	1/2"	1-1/2"	1/2"	4-1/4"
AA45426	1/2"	2"	1/2"	4-1/4"
AA45427	1/2"	2-1/2"	1/2"	4-1/2"
AA45438	3/4"	1"	1/2"	2-5/8"
AA45448	1"	1-1/4"	1/2"	2-7/8"

AMANA STRAIGHT PLUNGE & PANEL PILOT BITS



High Production Straight Plunge, Solid Carbide, Single and 2 Flute



- For high volume, high speed cutting in dense natural woods and abrasive wood composites
- Solid carbide dissipates heat more uniformly, extending tool life
- Two-flute bits cut more slowly than single flute, leaving a smooth finish
- Maximum RPM = 28,000

Item #	D Cutting Diameter	B Cutting Height	d Diameter	L Overall Length
1 Flute				
AA43700	1/8"	7/16"	1/4"	2"
2 Flute				
AA43828	1/4"	1"	1/4"	2-7/8"

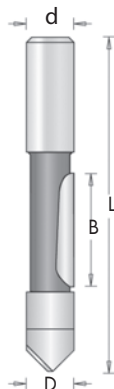


Production Shear Carbide Tipped, 2 Flute, 3° Down-Shear



- Excellent for working composition board and melamine
- These bits cut with a shearing action, slicing very slightly downward to prevent chipping & tearing of the surface veneer or coating
- Bits auger chips away from the router
- Designed primarily for production applications where the router is above the work

Item #	D Cutting Diameter	B Cutting Height	d Diameter	L Overall Length
AA45420PS	1/2"	1-1/4"	1/2"	2-7/8"
AA45422PS	1/2"	1-1/2"	1/2"	3-1/8"
AA45426PS	1/2"	2"	1/2"	4-1/4"



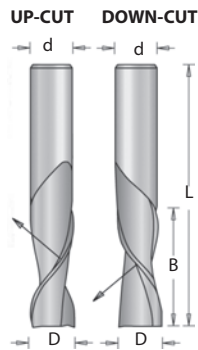
Panel Pilot Carbide Tipped, Single Flute, Heat Treated



- Features a pointed tip for plunge cuts, a special grind for speed and an integral solid pilot
- Designed for fast cut-out work and is used extensively in the mobile/motor home, caravan, star wagon, trailer, coach and RV industries
- This single-flute version cuts fast and produces an excellent finish

Item#	D Cutting Diameter	B Cutting Height	d Shank Diameter	L Overall Length	Flute Grind Type
AA45506	1/4"	3/4"	1/4"	2-1/2"	Concave

A AMANA SPIRAL FLUTE PLUNGE BITS



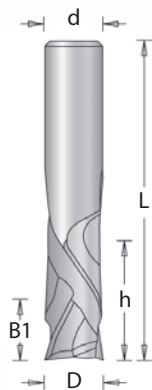
**Spiral Flute Plunge
Solid Carbide, 2 Flute, Up-Cut & Down-Cut**



- Spiral-flute bits combine a shearing action in cutting with an augering action in chip clearance
- The 'Up-Cut' shears from the bottom up pulling chips from the bottom up thus allowing deeper penetration with less stress on the tool
- Special unique carbide grade increased clearance geometry and razor-sharp cutting edges with polished flutes provide a superior finish and longer tool life especially in abrasive materials
- Great for production settings and excellent for creating grooves and dado cuts in particleboard, plywood and laminate

Item #	D Cutting Diameter	B Cutting Height	d Diameter	L Overall Length
Up-Cut Bits				
AA46100	1/8"	1/2"	1/4"	2"
AA46102	1/4"	3/4"	1/4"	2-1/2"
AA46104	3/8"	1-1/4"	1/2"	3"
Down-Cut Bits				
AA46201	3/16"	3/4"	1/4"	2"
AA46202	1/4"	3/4"	1/4"	2-1/2"
AA46415	1/4"	1"	1/4"	2-1/2"
AA46206	1/2"	1-1/4"	1/2"	3"

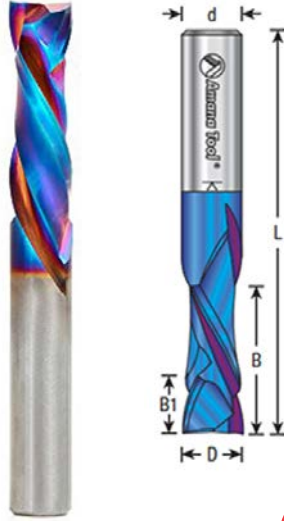
**P CNC Compression Spiral Flute
Solid Carbide, 2 & 3 Flute, for MDF/Laminate**



- Special carbide for longer lifetime in abrasive material
- Designed for CNC applications requiring high feed rates and a clean finish
- Particularly suitable for double-sided melamine or laminated material
- 3-flute design provides an extra-smooth finish

Item #	D Cutting Diameter	B Cutting Height	B1	d Diameter	L Overall Length
2 Flute					
AA46170	1/4"	7/8"	7mm	1/4"	2-1/2"
AA46174	3/8"	1"	9mm	1/2"	3"
AA46188	1/2"	1-1/4"	11mm	1/2"	3"
AA46190	1/2"	1-5/8"	13mm	1/2"	3-1/2"
3 Flute					
AA46010	3/8"	1-1/8"	9mm	3/8"	3"

AMANA SPIRAL FLUTE PLUNGE & TRIM BITS



SPEKTRA
EXTREME TOOL LIFE COATING

UP TO
2.5X
LONGER LIFE
(COMPARED TO UNCOATED BITS)



CNC Compression Spiral Flute Solid Carbide, 2 & 3 Flute, For MDF/Laminate



- Designed for CNC applications requiring high feed rates and a clean finish
- Particularly suitable for double-sided melamine or laminated material
- The Spektra™ nACo® nanocomposite coating is a micro thin ceramic coating which enables the tool's cutting edge to retain crucial sharpness and lubricity

Item #	D Cutting Diameter	B Cutting Height	B1	d Diameter	L Overall Length
2 Flute					
AA46180-K	1/8"	13/16"	7/32"	1/8"	2-1/2"
AA46170-K	1/4"	7/8"	7mm	1/4"	2-1/2"
AA46171-K	3/8"	7/8"	.200"	3/8"	3"
AA46172-K	3/8"	1-1/4"	9mm	3/8"	3"
AA46174-K	3/8"	1"	9mm	1/2"	3"
AA46188-K	1/2"	1-1/4"	11mm	1/2"	3"
AA46190-K	1/2"	1-5/8"	13mm	1/2"	3-1/2"
3 Flute					
AA46010-K	3/8"	1-1/8"	9mm	3/8"	3"
AA46012-K	1/2"	1-1/4"	9mm	1/2"	3"



A MAX
HARDER CARBIDE
FOR EXTENDED LIFE



Flush Trim Plunge Template Carbide Tipped, 2 Flute with Upper Ball Bearing

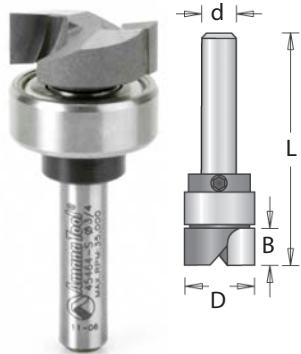


- These bits are essentially a plunge-cutting straight with a shank-mounted ball-bearing pilot
- Versatile, useful for template/pattern routing of parts, joints, internal cuts
- Can be used in handheld and table-mounted routers

Item #	D Cutting Diameter	B Cutting Height	Diameter	d Overall Length
AA45460	1/2"	1"	1/4"	2-1/2"
AA45461	1/2"	1-1/4"	1/4"	2-3/4"
AA45463	3/4"	1"	1/2"	3"
AA45465	3/4"	1-3/4"	1/2"	3-3/4"
AA45467	1"	1-3/4"	1/2"	3-3/4"
AA45468	1-1/8"	1-1/2"	1/2"	3-1/2"

A AMANA TRIM BITS

A
B
C
D
E
F
G
H
I
J
K
L
M
N
O
P
Q
R
S
T
U
V
W
X
Y

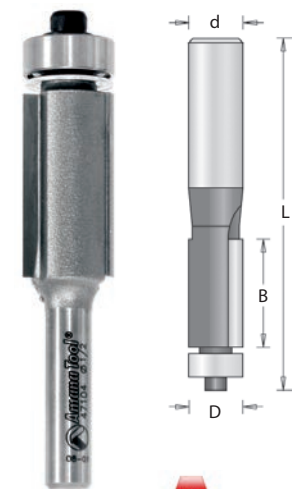


Dado Clean-Out Carbide Tipped, 2 Flute



- Bit designed with a 1/4" cutting edge for dado clean-out
- Also used in hardwood and flooring medallions

Item#	D Cutting Dia.	B Cutting Height	d Shank Dia.	L Overall Length
AA45460S	1/2"	1/4"	1/4"	1-5/8"



Flush Trim Carbide Tipped with Ball Bearing Guide



- Application: For laminate work or for template and pattern work
- Two flute design provides faster cutting, three flutes yield a superior finish at slower speeds

Item#	D Cutting Diameter	B Cutting Height	d Shank Diameter	L Overall Length
2 Flute				
AA47090	1/4"	1/2"	1/4"	2-1/4"
AA47092	1/4"	1"	1/4"	2-1/2"
AA47102	3/8"	1/2"	1/4"	2-1/8"
AA47100	3/8"	1"	1/4"	2-5/8"
AA47106	1/2"	1/2"	1/4"	2-1/4"
AA47104	1/2"	1"	1/4"	2-5/8"
AA47108	1/2"	1"	1/2"	3-1/4"
AA47124	1/2"	1-1/2"	1/2"	3-7/8"
AA47126	1/2"	2"	1/2"	4-1/4"
3 Flute				
AA47114	1/2"	1"	1/4"	2-5/8"
AA47118	1/2"	1"	1/2"	3-1/4"



No File™ Flush Trim, Carbide Tipped, 2 Flute with Ball Bearing Guide

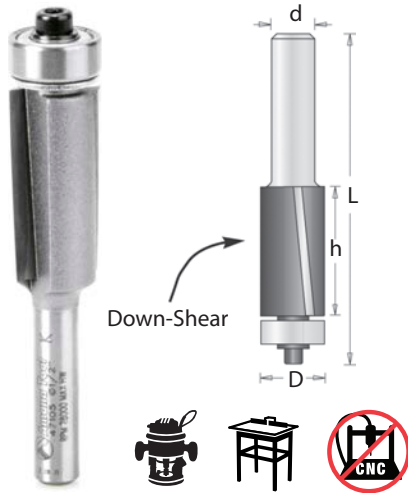


- Patented No-File™ bit breaks the sharp edge as it trims the laminate flush
- Eliminate the time consuming hand-filing that normally follows each trimming cut on a laminate job

Item#	D Cutting Diameter	B Cutting Height	d Shank Diameter	L Overall Length	R Radius
AA47150	1/2"	3/8"	1/4"	1-7/8"	.059
AA47154	1/2"	3/8"	1/4"	1-7/8"	.015



AMANA TRIM BITS



Dynabit™ Laminate Trim, Carbide Tipped, 2 Flute with Ball Bearing Guide



- The Dynabit™ line features a modest down-shear for an excellent finish
- The helix bits have a spiral-like twist to the cutting edges, making them especially good on difficult materials such as melamine



Item #	D Cutting Diameter	B Cutting Height	d Diameter	L Overall Length
AA47105	1/2"	1"	1/4"	2-5/8"



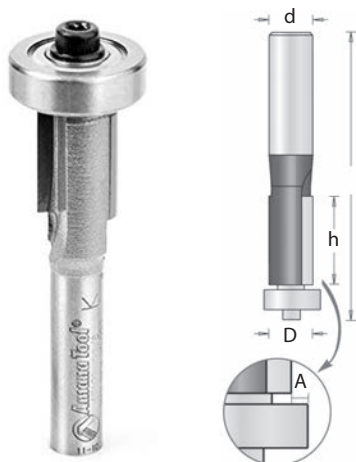
Laminate Trimmer with Euro™ Square Bearing Carbide Tipped, 2 Flute



- Bits feature a slight taper allowing for adjustment up/down on the edge to finish off the edge with a smooth, burr free cut
- The square bearing is manufactured with a non-stick Teflon® which won't mark your edge so it can be wiped clean easily
- Will not scratch high matte or gloss laminates



Item#	D Cutting Diameter	B Cutting Height	d Shank Size	L Overall Length
AA47147	1/2"	19/64"	1/4"	1-3/4"
AA47148	3/4"	5/8"	1/4"	2-3/8"
AA47149	3/4"	5/8"	1/2"	2-5/8"



"Overhang" Trim Carbide Tipped, 2 Flute with Ball Bearing Guide



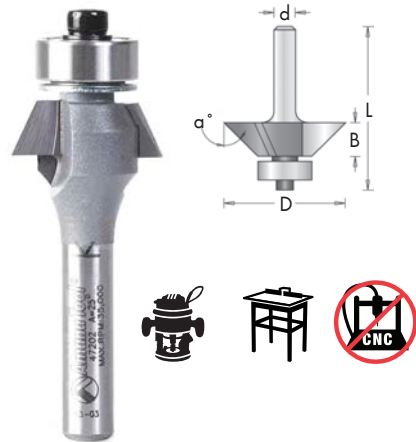
- Stage flush trimming cuts, whether in laminate work or template work, with this bit
- Trimming the material in two passes reduces chipping in laminates and tearout in solid wood
- A preliminary cut with the overhang bit leaves a small overhang in laminate or template work, leaves an edge slightly protruding the template
- Complete the operation with a final pass using a standard trim bit

Item #	D Cutting Diameter	B Cutting Height	A Overhang	d Dia.	L Overall Length	Replace Bearing
AA47190	3/8"	1/2"	1/8"	1/4"	2"	AA47718



A
B
C
D
E
F
G
H
I
J
K
L
M
N
O
P
Q
R
S
T
U
V
W
X
Y

AMANA TRIM BITS



Bevel Trim Carbide Tipped, 2 Flute with Ball Bearing Guide



- Steel-bodied, carbide tip bit for bevel trimming laminate with a standard hand held router
- The solid construction reduces vibration for the smoothest cut possible with a two-flute bit

Item#	D Cutting Diameter	B Cutting Height	d Shank Diameter	L Overall Length	a° Angle
AA47200	5/8"	1/4"	1/4"	2-3/32"	15°
AA47202	3/4"	1/4"	1/4"	2-3/32"	25°



Bevel Trim Carbide Tipped, 3 Flute with Ball Bearing Guide



- The solid construction of this carbide-tipped bit reduces vibration
- The three-flute configuration produces a very smooth cut

Item #	D Cutting Diameter	a°	B Cutting Height	d Diameter	L Overall Length
AA47302	3/4"	7°	7/16"	1/4"	2"



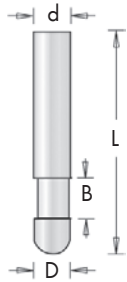
Special Bevel Trim, Carbide Tipped, 2 Flute with Ball Bearing Guide



- A very shallow bevel angle and the gap between the cutting edges and the ball-bearing pilot are the key features of this carbide-tipped bit
- The gap collects adhesive residue that usually fouls the pilot and thus degrades the cut

Item #	D Cutting Diameter	a°	B Cutting Height	d Diameter	L Overall Length
AA47210	5/8"	8°	15/32"	1/4"	2-1/4"

AMANA TRIM BITS

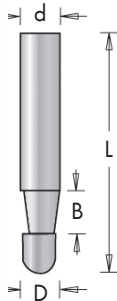


Flush Trim Panel Pilot Solid Carbide, Single Flute



- Laminate trimming router bit for high volume production
- Solid carbide and integral pilot (no bearing to maintain) extend life of router bit, slim configuration reduces vibration

Item#	D Cutting Diameter	B Cutting Height	d Shank Size	L Overall Length
AA51200	1/4"	1/4"	1/4"	1-1/2"

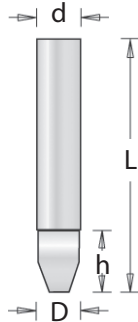


Bevel Trim Panel Pilot, Solid Carbide Single Flute



- Laminate trimming router bit for high volume production
- Solid carbide and integral pilot (no bearing to maintain) extend life of router bit, slim configuration reduces vibration

Item#	D Cutting Diameter	B Cutting Height	d Shank Size	L Overall Length	Type of Cut
AA51202	1/4"	1/4"	1/4"	1-1/2"	7° Bevel



Combination Flush and 7° Bevel Trimmer Solid Carbide, Single Flute



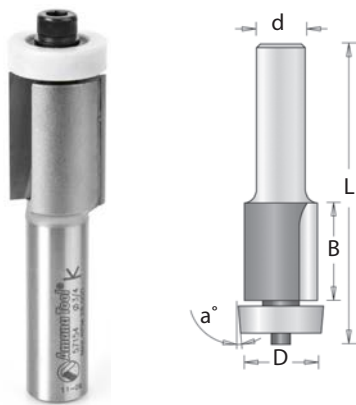
- Designed specifically for use in a laminate trimmer - will both flush and bevel trim
- A change in cut depth is all it takes to switch from one to the other
- Must be used with a separate ball-bearing or edge guide

Item #	D Cutting Diameter	α°	B Cutting Height	d Diameter	L Overall Length
AA51706	1/4"	7°	3/8"	1/4"	1-1/2"

A
B
C
D
E
F
G
H
I
J
K
L
M
N
O
P
Q
R
S
T
U
V
W
X
Y

A AMANA SOLID SURFACE BITS

B
C
D
E
F
G
H
I
J
K
L
M
N
O
P
Q
R
S
T
U
V
W
X
Y



Bowl & Sink Trim Carbide Tipped, 2 Flute with Ultra Glide™ Ball Bearing Guide



- Trim a sink cut-out flush with the bowl in stages using these “over-hang” and flush trim bits in tandem
- The overhang bits are equipped with non-marring Ultra-Glide™ bearings that are tapered to match the slope of the bowl’s side
- A first pass with the appropriate overhang bit cleans the cut-out edge, leaving a very slight overhang at the underside of the counter
- A pass with the flush-trim bit completes the operation



Item#	D Cutting Diameter	B Cutting Height	α°	d Shank Dia.	L Overall Length	Description
AA57153	3/4"	1"	10°	1/2"	3-1/4"	1/16" Overhang
AA57155	49/64"	1-1/2"	5°	1/2"	3-1/2"	1/8" Overhang
AA57154	3/4"	1"	0°	1/2"	3-1/2"	Flush Trim

Undermount Bowl, Carbide Tipped, 2 Flute with Ultra Glide™ Ball Bearing Guide



- These bits prepare and/or finish countertop edges in conjunction with undermount bowl installations
- The Roundover trims and profiles the countertop edges after the bowl is mounted
- The bevel bit trims the sink cut-out flush with an installed undermount bowl; it can also be used with a template to prepare a sink cut-out for a bevel mount bowl
- Note: Both of these tools can be used for undermount applications of Corian® sink and bowl #'s 802S, 804S, 805S, 8029S, and 871S. The bevel tool can be used in bevel mount applications of Corian® sink and bowl #'s 804A, 805A, 830A, 825LA, 825RA, and 854RA



Item#	Material Thickness	D Cutting Diameter	B Cutting Height	α° Angle	R Radius	B1	d Shank Dia.	L Overall Length	Application
AA57122	1/2" & 3/4"	1-1/4"	15/16"	11.5°	-	-	1/2"	3"	Bevel
AA57128	1/2"	2-1/8"	1"	18°	1/2"	3/4"	1/2"	3"	Roundover

AMANA SOLID SURFACE & SINK BITS



Undermount Bowl, Carbide Tipped, 2 Flute with Ultra Glide™ Ball Bearing Guide



- Trim and profile the counter-top edges after the bowl is mounted
- Bit has a cutting draft with a bearing that matches, enabling the cutter to do more work so you have to do less
- Use with Wilsonart® Vanity #'s BV1514, BV1812, BV1313, BV1711; Wilsonart® Kitchen Sink #'s BK2015, BK1515, BD1630, BD3016, BK2716US; Formica Vanity #L080; Formica Kitchen Sink #'s K080A, K250A and more



Item #	D	D1	α°	R	B	B1	d	L
AA57267	2-9/64"	13/16"	10°	33/64"	63/64"	25/32"	1/2"	2-25/32"



Karran® Stainless Steel Sink Edge, Carbide Tipped, 2 Flute with Ultra Glide™ Ball Bearing Guide



- Designed specifically for use with Lanser™ stainless steel Edge Sinks™
- For laminate and 1/2" solid surface materials
- Use to trim the counter-top edge after the bowl is mounted



Item#	D Cutting Diameter	Angle	B Cutting Height	d Shank Diameter	L Overall Length
AA57169	1-3/16"	11.5°	1"	1/2"	3-1/8"
AA49409	7/8"	15°	3/4"	1/4"	2-1/4"



DON'T SEE WHAT YOU NEED?

Ask about the "Quick Ship" Program from Amana Tool. We will have your bits shipped straight to your shop!

A
B
C
D
E
F
G
H
I
J
K
L
M
N
O
P
Q
R
S
T
U
V
W
X
Y

A ROUTER BIT REPLACEMENT PARTS

B
C
D
E
F
G
H
I
J
K
L
M
N
O
P
Q
R
S
T
U
V
W
X
Y



Steel Ball Bearing Guides



- Repairing and altering the profile of router bits
- Stocked in Amana but will fit most brands.

Item#	Width	Inside Diameter	Outside Diameter
AA47723	7/64"	1/8"	1/4"
AA47704	5/32"	1/8"	3/8"
AA47702	1/8"	3/16"	3/8"
AA47706	3/16"	3/16"	1/2"
AA47718	3/16"	3/16"	5/8"
AA47701	3/16"	1/4"	1/2"
AA47712	3/16"	1/4"	5/8"
AA47714	9/32"	1/4"	3/4"
AA47708	9/32"	5/16"	7/8"
AA47721	5/32"	1/2"	3/4"
AA47738	5/16"	1/2"	1-1/8"
AA47754	7/32"	15mm	1"



AA47728

Ultra-Glide™ Ball Bearing, Replacement Glides Hi-Performance



- Ultra-Glide™ bearings feature satin-smooth Delrin® sleeves
- Delrin® is an industrial synthetic plastic material similar to nylon, and will leave no marks on the material being cut
- Applications include solid surface materials, clear acrylics, and plastic laminates
- Not recommended for regular wood applications due to a higher wear factor

*Note: Amana 57156-57168 Bowl Bits Only

Item #	Inside Diameter	Outside Diameter	Angle
AA47707	3/16"	1/2"	-
AA47709	1/4"	3/4"	-
AA47727	5/16"	1-3/8"	-
AA47728	5/16"	1-9/64"	-
AA47726	1/4"	7/8"	10°
AA47731*	1/4"	7/8"	10



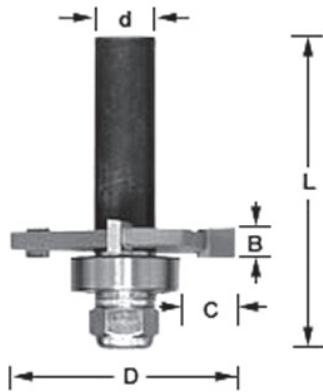
Euro™ Square Bearing



- Will not scratch or mark laminates with matt or high gloss finish
- Can be mounted to any 1/2" diameter Amana Tool® flush trimmer
- Manufactured with non-stick Teflon

Item #	I.D. x O.D.	Bearing Thickness
AASQB100	3/16" x 1/2"	.223
AASQB102	3/16" x 3/4"	.273

AMANA SLOTING CUTTERS

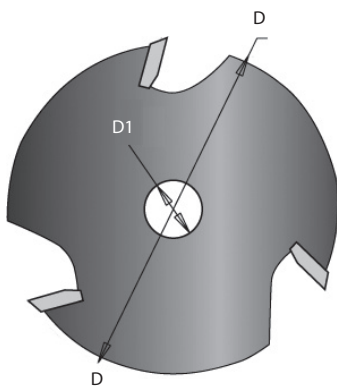


Slotting Cutter Assemblies Carbide Tipped, 1/4" Shank



- Groove edges for T-moldings, splines or biscuits, routing tongue and groove joinery, and other purposes
- Each assembly includes a cutter, bearing for a 1/2" deep cut and 1/4" shank arbor
- Use in a handheld or table-mounted router

Item #	D	B	C	d	L
AA53400	1-7/8"	1/16"	1/2"	1/4"	2-3/8"
AA53404	1-7/8"	3/32"	1/2"	1/4"	2-3/8"
AA53406	1-7/8"	1/8"	1/2"	1/4"	2-3/8"
AA53407	1-7/8"	5/32"	1/2"	1/4"	2-3/8"
AA53410	1-7/8"	1/4"	1/2"	1/4"	2-3/8"



Slotting Cutters, 3 Wing Carbide Tipped



- Cutter only, Arbor sold separately

Item #	D	B	d
AA53200	1-7-8"	1/16"	5/16"
AA53202	1-7/8"	5/64"	5/16"
AA53204	1-7/8"	3/32"	5/16"
AA53206	1-7/8"	1/8"	5/16"
AA53207	1-7/8"	5/32"	5/16"
AA53208	1-7/8"	3/16"	5/16"
AA53210	1-7/8"	1/4"	5/16"



Slotting Cutter Arbors



- Arbors for use with 2-wing and 3-wing slotting cutters
- All include hex nuts and washers necessary for securing cutters

Note: These are arbors only, cutters sold separately.

Item#	Use With	Shank Diameter	Overall Length
AA47600	2 & 3-Wing Cutters	1/4"	2-3/8"

A FREUD STRAIGHT, SPIRAL & TRIM BITS

B
C
D
E
F
G
H
I
J
K
L
M
N
O
P
Q
R
S
T
U
V
W
X
Y



Double Flute Straight Bits, Solid Carbide



Application: General stock removal with a smooth finish

- Freud straight bits cut smoother than other bits because of the precise shear and hook angles. End of bit relief allows for fast plunging
- Eclipse Grind is a "radial" or rounded back clearance - this gives extra support to the carbide resulting in double life for the bit and 50% more sharpenings
- Cuts all composite materials, plywoods, hardwoods, and softwoods
- Use on CNC and other automatic routers as well as hand-held and table-mounted portable routers
- Made of Solid Carbide

Item#	Overall Dia.	Carbide Height	Shank Dia.	Overall Length
ABO4-100	1/8"	3/8"	1/4"	1-3/4"
ABO4-102	3/16"	1/2"	1/4"	2"
ABO4-106	1/4"	3/4"	1/4"	2-1/4"
ABO4-108	1/4"	1"	1/4"	2-1/2"

Double Flute Straight Bits



Application: General stock removal with a smooth finish

- Freud straight bits cut smoother than other bits because of the precise shear and hook angles. End of bit relief allows for fast plunging
- Eclipse Grind is a "radial" or rounded back clearance - this gives extra support to the carbide resulting in double life for the bit and 50% more sharpenings
- Cuts all composite materials, plywoods, hardwoods, and softwoods
- Use on CNC and other automatic routers as well as hand-held and table-mounted portable routers



Item#	Overall Dia.	Carbide Height	Shank Dia.	Overall Length
ABO4-118	5/16"	1"	1/4"	2-1/2"
ABO4-124	3/8"	1"	1/4"	2-1/2"
ABO4-132	1/2"	1"	1/4"	2-1/8"
ABO4-136	5/8"	3/4"	1/4"	2-1/8"
ABO4-140	3/4"	3/4"	1/4"	2-1/8"
AB12-106T	5/16"	1"	1/2"	2-3/4"
AB12-108T	3/8"	1"	1/2"	2-5/8"
AB12-110T	3/8"	1-1/4"	1/2"	2-7/8"
AB12-116T	1/2"	1"	1/2"	2-5/8"
AB12-118T	1/2"	1-1/4"	1/2"	2-7/8"
AB12-122T	1/2"	1-1/2"	1/2"	3-1/8"
AB12-128T	1/2"	2"	1/2"	4-1/8"
AB12-130T	1/2"	2-1/2"	1/2"	4-3/8"
AB12-136	5/8"	1"	1/2"	2-1/2"

FREUD STRAIGHT, SPIRAL & TRIM BITS



Mortising Bits



Application: Down shear works to eliminate splintering ideal for hinges, mortises, and dadoes

- Freud's Mortising Bits are designed with deep center gullets for maximum material removal without chip loading
- Cuts all composition materials, plywoods, hardwoods, and softwoods
- Use on CNC and other automatic routers as well as hand-held and table-mounted portable routers

Item#	Overall Dia.	Carbide Height	Shank Dia.	Overall Length
AB16-100	1/2"	1/2"	1/4"	2"
AB16-104	3/4"	1/2"	1/4"	2"



Premier Solid Carbide Up Spiral Bits



Application: Cutting mortises and routing deep blind holes

- Freud's solid carbide up spiral bits combine effective chip removal with a cut that can't be matched by standard straight bits
- Ideal for production settings
- Excellent for grooves and dadoes in all composite materials, plywoods, hardwoods and softwoods
- Use on CNC and other automatic routers as well as hand-held and table-mounted portable routers

Item#	Overall Dia.	Carbide Height	Shank Dia.	Overall Length
AB75-102	1/4"	1"	1/4"	2-1/2"



Premier Solid Carbide 2-Flute Compression Bits



Application: Fine finish, chip-free routing in double-sided veneers and laminates

- Combination of up and down shear flutes eliminate chipping on both sides of double-sided veneers or laminated materials for a fine finish
- Cuts all composition materials, plywoods, hardwoods, and softwoods
- Use on CNC and other automatic routers as well as hand-held and table-mounted portable routers

Item#	Overall Dia.	Carbide Length	Shank Dia.	Overall Height	Upcut Length
AB77-204	3/8"	1-1/8"	3/8"	3"	11/32"
AB77-208	1/2"	1-1/4"	1/2"	3"	11/32"

A
B
C
D
E
F
G
H
I
J
K
L
M
N
O
P
Q
R
S
T
U
V
W
X
Y

A
B
C
D
E
F
G
H
I
J
K
L
M
N
O
P
Q
R
S
T
U
V
W
X
Y

FREUD STRAIGHT, SPIRAL & TRIM BITS



Premier Solid Carbide Mortise Compression Spiral Bits Two Flute

Application: Mortises or grooves with a perfect top surface, or through-cuts in thin double sided veneers and laminates

- Shorter up shear length allows bit to be used for grooves and mortises without chipping top surface
- Also ideal for through cuts in double sided sheets that are 5/8" thick or less
- Combination of up and down shear flutes eliminates chipping on both sides of double sided panels
- Routs melamine, veneer plywood and other double sided materials, as well as hardwoods and softwoods
- Use on CNC and other automatic routers as well as hand-held and table-mounted portable routers
- Double flute spirals are for extra clean cuts at faster feed rates

Item#	Overall Diameter	Carbide Length	Shank Diameter	Overall Height	Upcut Length
AB77-510	1/2"	1-3/8"	1/2"	3-1/2"	5/16"



Panel Pilot Bits

Application: template work and cutting openings in paneling, siding, etc.

- Freud's Panel Pilot Bits will outlast high-speed steel bits many times before sharpening
- The drill through point allows self-starting, and the pilot acts as a guide for template work
- Cuts all composition materials, plywoods, hardwoods, and softwoods
- Use on portable routers for template work

Item#	Overall Diameter	Carbide Height	Shank Diameter	Number of Flutes	Overall Length
AB26-100	1/4"	3/4"	1/4"	1	2-1/4"
AB28-100	3/8"	1"	1/4"	2	3"



Bearing Flush Trim Bits

Application: Trimming laminate counter tops and doing pattern work

- These are the bits to rely on for a smooth, burn-free cut. Two flutes provide faster cutting and three flutes yield a superior finish
- Cuts all composition materials, plywoods, hardwoods, and softwoods
- Use on hand-held and table-mounted portable routers

Item#	Overall Diameter	Bearing Diameter	Carbide Height	Number of Flutes	Shank Diameter	Overall Length
AB42-100	3/8"	3/8"	1"	2	1/4"	2-13/16"
AB42-104	1/2"	1/2"	1"	2	1/4"	2-13/16"
AB42-106	1/2"	1/2"	1/2"	2	1/4"	2-1/8"
AB42-110	1/2"	1/2"	1"	2	1/2"	3-1/4"
AB44-100	1/2"	1/2"	1"	3	1/4"	2-13/16"

FREUD STRAIGHT, SPIRAL & TRIM BITS

A
B
C
D
E
F
G
H
I
J
K
L
M
N
O
P
Q
R
S
T
U
V
W
X
Y



Top Bearing Flush Trim Bits



Application: Template work and lettering

- The top mounted bearings on these bits make them ideal for lettering and other template work where the work piece is being grooved or routed out
- Cuts all composition materials, plywoods, hardwoods, and softwoods
- Use on hand-held and table-mounted portable routers

Item#	Overall Dia.	Bearing Dia.	Carbide Height	Shank Dia.	Overall Length
AB50-102	1/2"	1/2"	1"	1/4"	2-5/8"
AB50-118	3/4"	3/4"	1-3/4"	1/2"	3-1/2"



Solid Carbide Flush Trim Bits



Application: Cutting plastic laminate quickly and cleanly

- Solid micrograin carbide extends the cutting life and the self-piloting feature eliminates the expense and upkeep of a ball bearing assembly
- Cuts all plastic laminates
- Use on portable routers and laminate trimmers for trimming plastic laminate
- Made of Solid Carbide

Sold In: AB64-100A sold in bulk pack of 100

Item#	Overall Dia.	Carbide Height	Shank Dia.	Overall Length
AB64-100	1/4"	3/8"	1/4"	1-1/2"
AB64-100A	1/4"	3/8"	1/4"	1-1/2"



Solid Carbide Bevel Trim Bits



Application: Cutting bevels in plastic laminates for a clean, finished edge

- The 41 Series Bits provide a range of bevels from 8 degrees to 45 degrees and feature a ball bearing guide
- The 66-100 solid carbide bit creates a 7-degree bevel and includes a self-piloting feature that eliminates the expense and upkeep of a ball bearing assembly
- Cuts all plastic laminates
- Use on Hand-held routers, table-mounted portable routers, and laminate trimmers
- Made of Solid Carbide

Sold In: AB66-100A sold in bulk pack of 100

Item#	Overall Dia.	Bearing Dia.	Carbide Height	Angle	Shank Dia.	Overall Length
AB66-100	1/4"	3/16"	1/4"	7°	1/4"	1-1/2"
AB66-100A	1/4"	3/16"	1/4"	7°	1/4"	1-1/2"

A FREUD EDGE TREATMENT & GROOVING BITS



Radius Laminate Trim Bit



Application: Trimming plastic laminate edges that normally require hours of difficult hand filing to finish

- This bit from Freud routs the edge flush and rounded in a single pass - reducing time and aggravation
- The 41-502 unique cutting geometry produces an ultra-smooth finish on laminate edges
- Ideal for countertop-grade laminates including Formica®, Wilsonart® and similar materials
- Use on Hand-held routers, table-mounted portable routers, and laminate trimmers for trimming plastic laminate

Item#	Overall Dia.	Carbide Height	Radius	Shank Dia.	Overall Height
AB41-502	1/2"	3/8"	1/16"	1/4"	2"



Round Nose Bits



Application: Fluted millwork, signs and decorative veining

- Add a personal touch to cabinet doors, drawer fronts, and fluted millwork, or use these bits to engrave wood signs
- Cuts all composition materials, plywoods, hardwoods, and softwoods
- Use on CNC and other automatic routers as well as hand-held and table-mounted portable routers

Item#	Overall Dia.	Carbide Height	Large Radius	Shank Dia.	Overall Length
AB18-106	3/8"	3/8"	3/16"	1/4"	1-13/16"
AB18-108	1/2"	3/8"	1/4"	1/4"	1-13/16"



"V" Grooving Bits



Application: Engraving, decorative accents and signs

- Ideal for making signs and adding decorative accents to furniture and plaques, Freud's "V" grooving bits are designed to cut deep or shallow "V" grooves
- Cuts all composition materials, plywoods, hardwoods, and softwoods
- Use on CNC and other automatic routers as well as hand-held and table-mounted portable routers

Item#	Overall Dia.	Carbide Height	Angle	Shank Dia.	Overall Length
AB20-102	3/8"	5/16"	90°	1/4"	1-3/4"

FREUD EDGE TREATMENT & GROOVING BITS

A
B
C
D
E
F
G
H
I
J
K
L
M
N
O
P
Q
R
S
T
U
V
W
X
Y



Key Hole Bit



Application: Key holes for hanging plaques and shelves

- The large diameter end bores holes to allow nail or screw heads to enter the slot, and the smaller diameter allows room for the shank of the nail or screw
- Cuts all composition materials, plywoods, hardwoods, and softwoods
- Use on CNC and other automatic routers as well as hand-held and table-mounted portable routers

Item#	Overall Dia.	Small Dia.	Carbide Height	Minor Height	Shank Dia.	Overall Height
AB70-104	25/64"	3/16"	25/64"	1/4"	1/4"	1-5/8"



Radius Cove Bit



Application: Smooth, decorative edging and inverted radii

- Create smooth, classic cove profiles with Freud cove bits, which have a shear angle that slices wood similar to the way a craftsman uses a hand plane
- The drill through point allows self-starting, and the pilot acts as a guide for template work
- Cuts all composition materials, plywoods, hardwoods, and softwoods.
- Use on hand-held and table-mounted portable routers

Item#	Overall Dia.	Bearing Dia.	Carbide Height	Large Radius	Shank Dia.	Overall Length
AB30-106	1-1/2"	1/2"	1/2"	1/2"	1/4"	2-3/16"



Radius Rounding Over Bits



Application: Soften furniture edges and create decorative beads

- Use rounding over bits to soften furniture edges. For beading work, equip the bits with a 1/8" smaller bearing and step washer
- Cuts all composition materials, plywoods, hardwoods, and softwoods
- Use on hand-held and table-mounted portable routers

Item#	Overall Dia.	Bearing Dia.	Carbide Height	Large Radius	Shank Dia.	Overall Length
AB34-104	3/4"	1/2"	1/2"	1/8"	1/4"	2-3/16"
AB34-108	7/8"	1/2"	1/2"	3/16"	1/4"	2-3/16"

A

FREUD EDGE TREATMENT & GROOVING BITS

B

C

D

E

F

G

H

I

J

K

L

M

N

O

P

Q

R

S

T

U

V

W

X

Y



Rounding Over Bits (Quadra-Cut)



Application: Soften furniture edges and create decorative beads

- Use rounding over bits to soften furniture edges. For beading work, equip the bits with a 1/8" smaller bearing and step washer
- Cuts all composition materials, plywoods, hardwoods, and softwoods
- Use on hand-held and table-mounted portable routers

Item#	Overall Dia.	Bearing Dia.	Carbide Height	Large Radius	Shank Dia.	Overall Length
AB34-110	1-1/8"	5/8"	1/2"	1/4"	1/4"	2-3/16"
AB34-112	1-1/4"	5/8"	1/2"	5/16"	1/4"	2-3/16"
AB34-114	1-3/8"	5/8"	5/8"	3/8"	1/4"	2-3/16"
AB34-116	1-1/2"	1/2"	3/4"	1/2"	1/4"	2-1/2"
AB34-126	1-5/8"	5/8"	3/4"	1/2"	1/2"	2-3/4"



Beading Bits (Quadra-Cut)



Application: Decorative edges and rounded edges

- Add an attractive bead profile to furniture and millwork with Freud beading bits
- For rounding over work, add a 1/8" larger bearing and step washer
- Cuts all composition materials, plywoods, hardwoods, and softwoods
- Use on hand-held and table-mounted portable routers

Item#	Overall Dia.	Bearing Dia.	Carbide Height	Large Radius	Shank Dia.	Overall Length
AB36-110	1-1/8"	1/2"	1/2"	1/4"	1/4"	2-3/16"
AB36-114	1-3/8"	1/2"	5/8"	3/8"	1/4"	2-3/16"



Roman Ogee Bits (Quadra-Cut)



Application: Decorative edging for cabinets, molding and furniture

- Add distinctive design to cabinets, furniture, plaques, and millwork with these decorative edging bits
- Cuts all composition materials, plywoods, hardwoods, and softwoods
- Use on hand-held and table-mounted routers

Item#	Overall Dia.	Bearing Dia.	Carbide Height	Large Radius	Shank Dia.	Overall Length
AB38-100	1-3/16"	1/2"	1/2"	5/32"	1/4"	2-3/16"
AB38-102	1-3/8"	3/8"	23/32"	1/4"	1/4"	2-3/8"

FREUD EDGE TREATMENT & GROOVING, JOINERY BITS



Classical Cove & Bead Bit (Quadra-Cut)

freud.

Application: Decorative edging for cabinets, molding and furniture

- Add distinctive design to cabinets, furniture, plaques, and millwork with decorative edging bits
- Cuts all composition materials, plywoods, hardwoods, and softwoods
- Use on hand-held and table-mounted routers

Item#	Overall Diameter	Bearing Diameter	Carbide Height	Large Radius	Small Radius	Shank Diameter	Overall Length
AB38-352	1-5/8"	5/8"	5/8"	1/4"	5/32"	1/4"	2-5/16"



Chamfer Bits

freud.

Application: For multiple-sided projects, joinery, and easing edges

- Creates a uniform chamfer on the edge of any work piece to add character, while retaining crisp geometric lines
- #40-094 makes 16-sided pieces and #40-098 makes 12-sided pieces
- Chamfer size easily adjusts by changing the height of the bit
- Cuts all composition materials, plywoods, hardwoods, and softwoods
- Use on hand-held and table-mounted portable routers

Item#	Overall Dia.	Bearing Dia.	Carbide Height	Angle	Shank Dia.	Overall Length
AB40-104	1-11/32"	1/2"	1/2"	45°	1/4"	2-3/16"
AB40-106	1-3/4"	1/2"	5/8"	45°	1/4"	2-3/16"



Dovetail Bit

freud.

Application: Strong, attractive joints for drawers and boxes

- Compatible with popular dovetail jigs, these bits produce smooth, intricate dovetail joints
- Cuts all composition materials, plywoods, hardwoods, and softwoods
- Use on CNC and other automatic routers as well as hand-held and table-mounted portable routers

Item#	Overall Dia.	Carbide Height	Angle	Shank Dia.	Overall Length
AB22-104	1/2"	1/2"	14°	1/4"	1-7/8"

A
B
C
D
E
F
G
H
I
J
K
L
M
N
O
P
Q
R
S
T
U
V
W
X
Y

A
B
C
D
E
F
G
H
I
J
K
L
M
N
O
P
Q
R
S
T
U
V
W
X
Y

FREUD JOINERY BITS, BALL BEARINGS



Rabbeting Bit

Application: Joining boards and letting in back panels

- Produces super smooth cuts on both surfaces of the rabbet
- Steel pilots can be removed from bits and used with edge guides for wider rabbets
- Cuts all composition materials, plywoods, hardwoods, and softwoods
- Use on hand-held and table-mounted portable routers

Item#	Overall Dia.	Bearing Dia.	Cut Depth	Carbide Height	Shank Dia.	Overall Length
AB32-100	1-1/4"	1/2"	3/8"	1/2"	1/4"	2"



Ball Bearings

Application: Repairing and altering the profile of Freud router bits and will fit most brands of router bits

- Freud router bits feature superior quality ball bearings
- Lubricated with a high temperature lubricant to withstand the stresses of turning at 22,000 RPMs
- Shielded to keep out the unwanted wood dust and chips that greatly reduce bearing life

Set Item#	Set Includes
AB62-XXX	(1) AB62-102, (2) AB62-104, (1) AB62-108, & (1 wrench) AB62-402

Sizes of Ball Bearings in AB62-XXX Set			
Set Item#	Inside Dia.	Bearing Dia.	Bearing Height
AB62-102	3/16"	3/8"	1/8"
AB62-104	3/16"	1/2"	3/16"
AB62-108	8mm	22mm	7mm

Sizes of Ball Bearings in AB62-XXX Set	
Set Item#	W Wrench Size
AB62-402	2.5mm

Individual Ball Bearings			
Item#	Inside Dia.	Bearing Dia.	Bearing Height
AB62-102	3/16"	3/8"	1/8"
AB62-103	1/4"	1/2"	3/16"
AB62-104	3/16"	1/2"	3/16"
AB62-108	8mm	22mm	7mm
AB62-113	3/16"	5/8"	3/16"

FREUD SLOTTING CUTTERS



Three Wing Slotting Cutter

freud.

Application: Producing slots and grooves for T-moldings, spline joints, tongue & groove joints and many other applications

- Compatible with 62-108 bearing
- Cuts all composition materials, plywoods, hardwoods, and softwoods
- Use on hand-held and table-mounted portable routers
- Arbor sold separately, see below

Item#	Overall Dia.	Bore Dia.	Carbide Height
AB56-112	2"	5/16"	1/4"



Slotting Cutter Arbor

freud.

Application: Producing smooth, precise, accurate slots

- For premium performance use with Freud slotting cutters, although compatible with any slotting cutter with a 5/16" bore
- Use on hand-held and table-mounted portable routers

Item#	Arbor Dia.	Stud Height	Arbor Height	Shank Dia.	Overall Height
AB60-100	5/16"	1"	25/64"	1/4"	2-3/8"

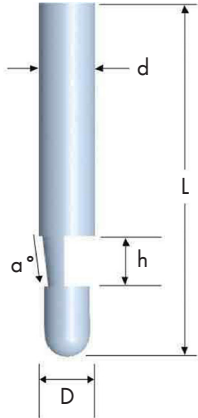
LOOKING FOR A NEW ROUTER? SEE SECTION V



A
B
C
D
E
F
G
H
I
J
K
L
M
N
O
P
Q
R
S
T
U
V
W
X
Y

A
B
C
D
E
F
G
H
I
J
K
L
M
N
O
P
Q
R
S
T
U
V
W
X
Y

BOSCH TRIM/CUTOUT BITS

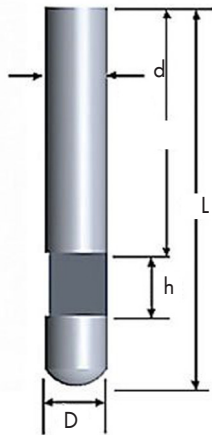


**Bevel Trim,
Solid Carbide, Single Flute**



- Provides 7-1/2deg bevel on the edge of laminate surface when trimming
- Solid pilot wipes clean - no ball bearing seizure from adhesives
- Classic design for high production countertop and fixture production
- Solid carbide for long life in production applications

Item #	D Cutting Diameter	h Cutting Height	d Shank Diameter	L Overall Length	a° Angle
BL85286	1/4"	1/4"	1/4"	1-1/2"	7°

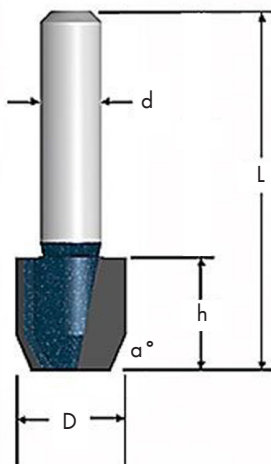


**Flush Trim,
Solid Carbide, Single Flute**



- For trimming high-pressure laminates flush to a substrate
- Solid pilot wipes clean - no ball bearing seizure from adhesives
- Classic design for high production countertop and fixture production
- Solid carbide for long life in production applications

Item #	D Cutting Diameter	h Cutting Height	d Shank Diameter	L Overall Length
BL85285	1/4"	1/4"	1/4"	1-1/2"



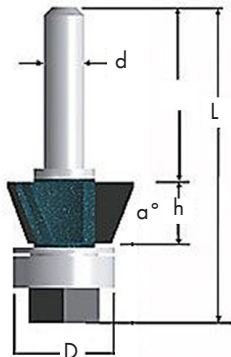
**Combination Bevel and Flush Trim
Solid Carbide, 2 Flute**



- Micrograin bit combines bevel or flush trim cuts in a single bit
- Option of two different cut types for trimming laminates, veneers, and similar materials
- Solid carbide for durability
- Use with router guide assembly

Item #	D Cutting Diameter	h Cutting Height	d Shank Diameter	L Overall Length	a° Angle
BL85288M	1/4"	3/8"	1/4"	1-1/2"	Flush or 10° Bevel

BOSCH TRIM/CUTOUT BITS

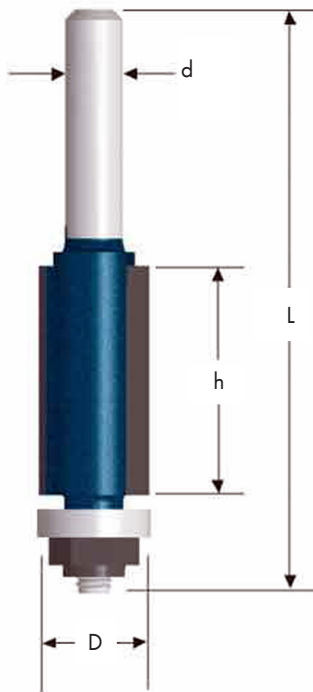


Bevel Trim Assembly, Carbide Tipped, 3 Flute with Ball Bearing Guide



- Triple flute design for exceptional smoothness and finish quality
- Micrograin carbide tips provide superior wear resistance and long life
- For trimming laminates, veneers, and similar materials
- Includes an arbor, replaceable 3-wing cutter, and ball bearing
- Shielded, compact ball-bearing pilot guides bit along edge of material

Item #	D Cutting Diameter	h Cutting Height	d Shank Diameter	L Overall Length	α° Angle
BL85422M	3/4"	3/8"	1/4"	1-15/16"	9°
BL85420M	7/8"	3/8"	1/4"	1-15/16"	22°

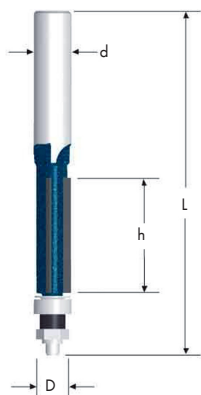


Flush Trim, Carbide Tipped, 2 and 3 Flute, With Ball Bearing Guide



- Ideal for fast, smooth, flush trim cuts
- Control cut design helps minimize kickback
- For trimming laminates, veneers, and similar materials
- Micrograin carbide tips provide superior wear resistance and long life
- Shielded, compact ball-bearing pilot guides bit along edge of material

Item #	D Cutting Dia.	h Cutting Height	d Shank Dia.	L Overall Length
2 Flute				
BL84501M	1/4"	3/4"	1/4"	2-15/32"
BL85269M	3/8"	1/2"	1/4"	2-1/8"
BL85268M	3/8"	1"	1/4"	2-5/8"
BL85266M	1/2"	1"	1/4"	2-5/8"
BL85430M	5/8"	3/8"	1/4"	1-5/16"
BL85442M	1/2"	2"	1/2"	4-27/64"
3 Flute				
BL85216M	1/2"	1"	1/4"	2-5/8"



Template Trim, Carbide Tipped, 2 Flute, With Ball Bearing Guide

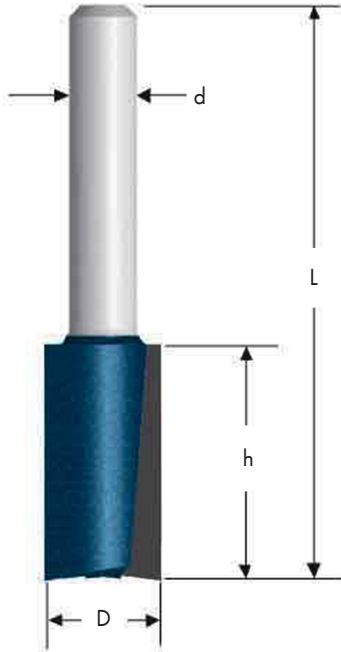


- Provides smooth cuts for laminate trimming, cutouts, and pattern cutting
- Control cut design helps minimize kickback
- Provided with two ball bearings to widen the bearing surface and reduce template wear
- Micrograin carbide tips for long life

Item #	D Cutting Diameter	h Cutting Height	d Shank Diameter	L Overall Length
BL85601M	1/2"	1-1/2"	1/2"	4-3/8"

A BOSCH STRAIGHT, STAGGERTOOTH BITS

B
C
D
E
F
G
H
I
J
K
L
M
N
O
P
Q
R
S
T
U
V
W
X
Y

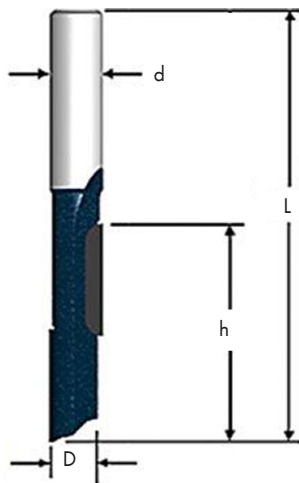


Straight Plunge Carbide Tipped or Solid Carbide, 2 Flute



- 2 flute design provides a smooth finish and good feed rates
- Micrograin carbide tips give excellent smoothness of cut and long life
- Balanced cutting with minimal vibration
- Specially designed tips provide fast plunge cutting
- Strong webbing and heavy cutter backing extend bit life

Item #	D Cutting Diameter	h Cutting Height	d Shank Diameter	L Overall Length
Carbide Tipped				
BL85221M	1/4"	5/8"	1/4"	2"
BL85250M	1/4"	7/8"	1/4"	2-1/8"
BL85232	3/4"	3/4"	1/4"	2"
BL85427M	1/2"	1"	1/2"	2-5/8"
BL85242M	1/2"	1-1/2"	1/2"	3-1/8"
BL85251M	1/2"	2"	1/2"	4-1/4"
Solid Carbide				
BL85213M	1/8"	7/16"	1/4"	2"



Staggertooth Plunge, Carbide Tipped

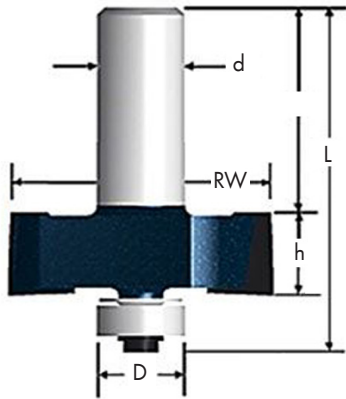


- Staggered cutting flutes give 2-flute balance with single flute chip clearance
- Specially designed tips provide fast plunge cutting
- Balanced cutting with minimal vibration
- Micrograin carbide tips provide superior wear resistance and long life

Item #	D Cutting Diameter	h Cutting Height	d Shank Diameter	L Overall Length
BL85278M	1/2"	2-1/4"	1/2"	4-1/2"

BOSCH JOINTMAKING & EDGE FORMING BITS

A
B
C
D
E
F
G
H
I
J
K
L
M
N
O
P
Q
R
S
T
U
V
W
X
Y

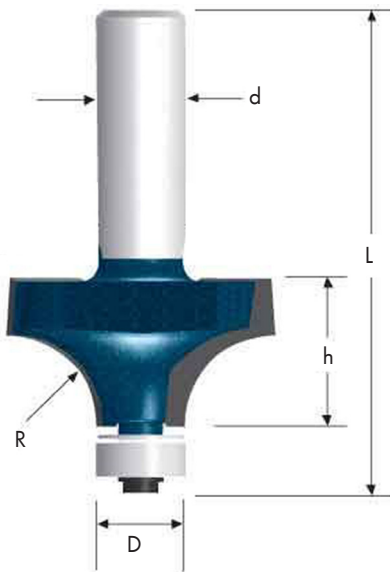


Rabbeting, Carbide Tipped, Single Flute with Ball Bearing Guide



- Cuts rabbeted edges for joints, drawer fronts, and other applications
- Control cut design helps minimize kickback
- For making rabbeting cuts without the use of a router guide
- Micrograin carbide tips provide superior wear resistance and long life
- Compact ball-bearing pilot guides bit along edge of material

Item #	RW Rabbet Width	D Cutting Diameter	h Cutting Height	d Shank Diameter	L Overall Length
BL85615M	1/2"	1-3/8"	1/2"	1/2"	2-3/8"

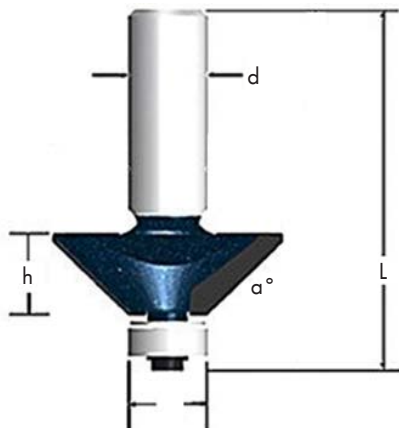


Roundover, Carbide Tipped, 2 Flute with Ball Bearing Guide



- Creates smoothly radiused edges on boards and panels
- Smoothly radiused edge requires little or no sanding before applying finish
- Micrograin carbide tips provide superior wear resistance and long life
- Control cut design helps minimize kickback
- Compact ball-bearing pilot guides bit along edge of material

Item #	D Cutting Diameter	h Cutting Height	R Radius	d Shank Diameter	L Overall Length
BL85289M	5/8"	5/16"	1/16"	1/4"	1-3/4"
BL85290M	3/4"	5/16"	1/8"	1/4"	2"
BL85294M	1"	1/2"	1/4"	1/4"	2"
BL85296M	1-1/4"	5/8"	3/8"	1/4"	2-3/16"



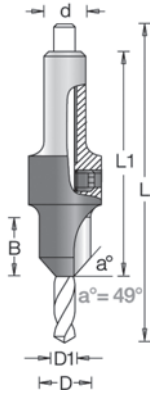
Chamfer Carbide Tipped, Single Flute



- Produces 45 degree chamfers on boards and panels
- Control cut design helps minimize kickback
- Micrograin carbide tips provide superior wear resistance and long life
- Compact ball-bearing pilot guides bit along edge of material

Item #	D Cutting Diameter	h Cutting Height	d Shank Diameter	L Overall Length	a° Angle
BL85298M	1-1/4"	1/2"	1/4"	2"	45°

A COUNTERSINKS



82° Countersinks Carbide Tipped, For Wood Screws

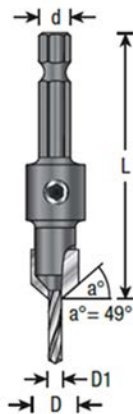


- 2-Wing with slow spiral, HSS M2 DIN 338 fully ground drill
- Used to countersink holes for the heads of screws
- The 2-flute integral design ensures uniform and concentric results each and every time
- Carbide tips provide chip-free hole edges and lasts much longer than steel countersinks

Item#	Screw Size	D	D1	B	d	L1	L
AA55202	#6	3/8"	1/8"	1/2"	5/16"	1-5/8"	2-9/16"
AA55204	#6	25/64"	9/64"	1/2"	5/16"	1-5/8"	2-3/4"
AA55208	#8	7/16"	11/64"	1/2"	5/16"	1-5/8"	3"
AA55210	#10	7/16"	3/16"	1/2"	3/8"	1-3/4"	3"

Replacement Bits			
Item#	Use With	Item#	Use With
AA630102	AA55202	AA630302	AA55208
AA630802	AA55204	AA630402	AA55210

B
C
D
E
F
G
H
I
J
K
L
M
N
O
P
Q
R
S
T
U
V
W
X
Y

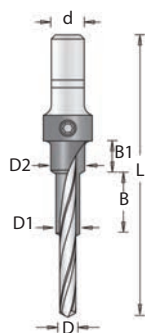


82° Countersinks, Quick Release Carbide Tipped, For Wood Screws



- 2-Wing with slow spiral, HSS M2 DIN 338 fully ground drill
- Used to countersink holes for the heads of screws
- The 2-flute integral design ensures uniform and concentric results each and every time
- Carbide tips provide chip-free hole edges and lasts much longer than steel countersinks

Item #	Wood Screw Size	D	D1	a°	d	L1
AA55260	#4	3/8"	5/64"	49°	1/4"	2-1/8"
AA55262	#6	3/8"	3/32"	49°	1/4"	2-1/8"
AA55264	#8	3/8"	7/64"	49°	1/4"	2-1/8"



3-Step RTA Furniture Drill/ Countersink With HSS Slow Spiral Drill



- Commonly used for RTA (ready-to-assemble) furniture fittings
- High speed steel countersink with polished slow spiral drill bit
- Will perform 3 tasks in one: pilot hole, clearance hole and countersink

Item#	D	D1	D2	B	B1	d	L
AA55102	3.5mm	5.0mm	7.0mm	15.0mm	5.0mm	10mm	80mm

COUNTERSINKS

Counter Sink & Drill Bits

INSTY-BIT



- One piece tool with drill bit and hardened steel countersink attached
- Steel twist drill is adjustable (up and down) to match screw length
- Maximum RPM is 2500
- Has 1/4" hex power bit shaft

Item#	Drill Size	Screw Size
IB82701	5pc. Set: 5/64"-9/64"	-
IB82706	3/32"	#6
IB82707	7/64"	#8
IB82708	1/8"	#10
IB82709	9/64"	#12



Countersinks

Countersinks/Stop Collars

Fuller

- Countersinks and counterbores flat head screw heads in woods, plastics and non-ferrous materials
- Stop collars are used to control depth of countersink



Stop Collars

Countersinks			
Item#	Drill Dia.	Screw Size	Counter Bore Hole Size
DPC5	1/8"	#5	3/8"
DPC6	9/64"	#6	3/8"
DPC8	11/64"	#8	3/8"
DPC1211	11/64"	#8	1/2"
DPC913	13/64"	#10	3/8"
DPC102	13/64"	#10	1/2"

Stop Collars		
Item#	Inside Diameter	Width
DP11900375	3/8"	1/4"
DP11900500	1/2"	1/4"



Plug Cutters

Fuller

- Standard plug cutter suitable for both softwoods and hardwoods
- Plug diameter is slightly larger than counter bore diameter for

Item#	Plug Diameter	Max. Plug Length	Shank Diameter
DP11640375	3/8"	1/2"	1/4"
DP11640500	1/2"	1/2"	1/4"
DP11640625	5/8"	1/4"	1/4"

A
B
C
D
E
F
G
H
I
J
K
L
M
N
O
P
Q
R
S
T
U
V
W
X
Y

VIX BITS & DRILL STOPS



Self-Centering Drill Bit Guides 1/4" Hex Shank



- Create accurate screw holes when installing new hinges to a door
- Spring-loaded end for locating hinge screw holes, includes HSS twist drill bit
- Bright plated finish

Item #	Screw #	Drill Size	Replacement Bit
AA608520	6	5/64"	AA630520
AA608522	8	7/64"	AA630522
AA608524	10	9/64"	AA630524



Self-Centering Vix Bits High Speed Steel Drill Bit

- Self centering design ensures the hole will be drilled absolutely in the center
- Hex shank bit is spring loaded with a retracting conical shaped guide
- Adjustable drill depth
- Guide body is made of nickel plated steel
- Drill bit is made of high speed steel that will stay sharper ten times longer than high carbon steel bits

Item#	Bit Size	Fits Screw Sizes
Self-Centering Vix Bits, 1/4" Round Shank		
VB3	5/64"	#2 & #3
VB5	7/64"	#5 & #6
VB9	9/64"	#8, #9 & #10
VB12	11/64"	#12
VB16	1/4"	-
VB13	5mm	-
Self-Centering Vix Bits, 1/4" Hex Shank		
VB5H	7/64"	#5 & #6
VB9H	9/64"	#8, #9 & #10

Item#	Replacement For
Replacement Bits	
VB3B	For VB3 - 5/64"
VB5B	For VB5, 5H - 7/64"
VB9B	For VB9, 9H - 9/64"
VB12B	For VB12 - 11/64"
VB13B	For VB13
VB16B	For VB16
Replacement Springs	
VB5S	For VB3, 5, and 5H



Drill Stops

- Steel, held with 2 set screws



Item#	Diameter x Overall Length	Drill Size
DP10600125	3/8" x 1/2"	1/8"
DP10600171	7/16" x 1/2"	11/64"
DP10600196	1/2" x 1/2"	12/64"
DP10600203	1/2" x 1/2"	13/64"
DP10600315	3/4" x 3/4"	21/64"

DRILL BITS



13 Piece Drill Bit Set

**High Speed Steel Drill Bits - Jobber Length
High Performance - 3 Sided Flat Shank,
Fractional Sizes**



- Wider web than standard bits allows excellent heat dissipation and less bit breakage
- Constructed of M-7 Industrial speed steel withstands high temperatures, maintains sharpness
- Can be used with either wood or steel
- 135° split point for fast penetration and accurate starting without center punch
- 3-flat shank design (on 3/16" and larger bits) eliminates slippage and provides a positive grip
- Drill set includes 13 drills: 1/16", 5/64", 3/32", 7/64", 1/8", 9/64", 5/32", 11/64", 3/16", 13/64", 7/32", 15/64", and 1/4" bits

Packing: 1/16" - 9/32" are 12 per box; 19/64" and up are 6 per box.

All sold in full box quantities only.

*3-Flat Shank

Item#	Size	Flute Length	Overall Length	Item#	Size	Flute Length	Overall Length
WW16270116	1/16"	7/8"	1-7/8"	WW162701964	19/64"	2-3/8"	3-7/8"
WW16270564	5/64"	1"	2"	WW16270516	5/16"	2-1/2"	4"
WW16270332	3/32"	1-1/4"	2-1/4"	WW162702164	21/64"	2-9/16"	4-1/16"
WW16270764	7/64"	1-5/16"	2-3/8"	WW162701132	11/32"	2-5/8"	4-1/8"
WW1627018	1/8"	1-7/16"	2-1/2"	WW162702364	23/64"	2-11/16"	4-3/16"
WW16270964	9/64"	1-9/16"	2-5/8"	WW1627038	3/8"	2-11/16"	4-1/4"
WW16270532	5/32"	1-11/16"	2-3/4"	WW162702564	25/64"	2-3/4"	4-5/16"
WW162701164	11/64"	1-13/16"	2-7/8"	WW162701332	13/32"	2-13/16"	4-3/8"
WW16270316	3/16"	1-1/2"	3"	WW162702764*	27/64"	2-7/8"	4-7/16"
WW162701364	13/64"	1-5/8"	3-1/8"	WW16270716*	7/16"	2-15/16"	4-1/2"
WW16270732	7/32"	1-3/4"	3-1/4"	WW162702964*	29/64"	3"	4-5/8"
WW162701564	15/64"	1-7/8"	3-3/8"	WW162701532*	15/32"	3-1/8"	4-3/4"
WW1627014	1/4"	2"	3-1/2"	WW162703164*	31/64"	3-1/4"	4-7/8"
WW162701764	17/64"	2-1/8"	3-5/8"	WW1627012*	1/2"	3-3/8"	5"
WW16270932	9/32"	2-1/4"	3-3/4"	WW1627013	13 Piece Drill Bit Set		



High Speed Steel Drill Bits, Hex Shank



- 135° split points, jobbers length
- 7 pc. set includes 1/16"-1/4", increments of 1/32"

Item#	Drill Size	Overall Length
IB81106	3/32"	3"
IB81107	7/64"	3-7/16"
IB81108	1/8"	3-1/2"
IB81109	9/64"	3-11/16"
IB81011	11/64"	3-7/16"

Item#	Drill Size	Overall Length
IB81112	3/16"	4-5/16"
IB81114	7/32"	4-1/2"
IB81116	1/4"	4-13/16"
IB81101	7 pc. set: 1/16" through 1/4" x 32nds	

A DRILL BITS

High Speed Steel Drill Bits, Straight Shank


- 118° standard point, bright finish
- Constructed of M-2 high speed steel for the best combination of strength, heat and wear

Item#	Size	Flute Length	Overall Length
AT60104	1/16"	7/8"	1-7/8"
AT60105	5/64"	11/16"	1-11/16"
AT60106	3/32"	3/4"	1-3/4"
AT60107	7/64"	13/16"	1-13/16"
AT60108	1/8"	7/8"	1-7/8"
AT60109	9/64"	15/16"	1-15/16"
AT60110	5/32"	1"	2-1/16"
AT60111	11/64"	1-1/16"	1-1/8"
AT60112	3/16"	1-1/8"	2-3/16"
AT60113	13/64"	1-3/16"	2-1/4"
AT60115	15/64"	1-5/16"	2-7/16"
AT60116	1/4"	1-3/8"	2-1/2"
AT60120	5/16"	1-5/8"	2-13/16"


**Turbomax High Speed Steel Drill Bits
2-Sided Flat Shank**


- Tip that stays sharp longer and drills up to 10 times faster than other leading bits
- Three flatted shank on 3/16" and above for better chuck grip
- Self-centering tip for clean, fast starts

Item#	Size	Flute Length	Overall Length
AT73108	1/8"	1-5/8"	2-3/4"
AT73109	9/64"	1-3/4"	2-7/8"
AT73111	11/64"	2-1/8"	3-1/4"
AT73112	3/16"	2-5/16"	3-1/2"
AT73114	7/32"	2-1/2"	3-3/4"
AT73116	1/4"	2-3/4"	4"

DRILL BITS



Brad Point Drill Bit



- Designed to drill smooth, clean cuts in wood
- Tip that provides easy positioning and accurate starts
- Extra-wide flutes yield fast chip removal
- Designed for both portable drills and drill presses

Item #	Size	Flute Length	Overall Length
BLB14601	1/8"	1-5/8"	2-3/4"
BLB14602	3/16"	2-5/16"	3-1/2"
BLB14603	1/4"	2-1/4"	3-5/16"
BLB14604	5/16"	2-3/4"	4-7/16"
BLB14605	3/8"	3-1/4"	5-3/16"
BLB14606	7/16"	3-1/2"	5-9/16"
BLB14607	1/2"	3-1/2"	5-15/16"
BLB14609	5/8"	4-1/4"	7"



Drill and Driving Set, 91 Piece



Includes:

Drilling:

Titanium: (2) 1/16", 7/64", (2) 1/8", 9/64", (2) 5/32", (2) 3/16", 1/4"; Rotary Masonry Bits: (2) 1/8", (2) 5/32", (2) 3/16", (2) 1/4", (2) 5/16", 3/8"; Brad Point Bits: 1/8", (2) 3/16", (2) 1/4", (2) 5/16", 3/8"

Driving:

1" Insert Bits: Phillips: #0, #1, #2, #3; Pozidriv: : #0, #1, #2, #3; Slotted: 3, #5, #7; Torx: #10, #15, #20, #25, #30, #40; Allen: #3, #5, #6 2" Insert Bits: Phillips: #0, #1, #2, #3; Pozidrive: #0, #1, #2, #3; Slotted: #6; Torx: #10, #15, #20, #25; Allen: #5, #6

Other:

Ratcheting screwdriver, magnetic pick-up tool (expands to 25.5"), bit holder, and countersink

Item #
BLMS4091

A
B
C
D
E
F
G
H
I
J
K
L
M
N
O
P
Q
R
S
T
U
V
W
X
Y

A
B
C
D
E
F
G
H
I
J
K
L
M
N
O
P
Q
R
S
T
U
V
W
X
Y

DRILL BITS



Metric Drill Bits, Straight Shank



- High speed steel
 - Cylindrical shank, right hand cut
 - For use in CNC machines, upright drills and battery operated drills
- Packing: 10 per box. Sold in full box quantities only.

Item#	Size	Flute Length	Overall Length
WW62550	5mm	2-3/64"	3-3/8"
WW62580	8mm	2-61/64"	4-39/64"



Metric Drill Bits, Straight Shank



- Made from high speed regular cut steel
- Cuts wood, plastics and metals
- Standard 118 degree point

Item#	Size	Flute Length	Overall Length
DP18100196	5mm	2-1/16"	3-3/8"
DP18100236	6mm	2-1/16"	3-3/8"
DP18100315	8mm	2-15/16"	4-19/32"
DP18100393	10mm	3-7/16"	5-1/4"



Straight Shank



Hex Shank

Taper Point Drill Bits, Straight & Hex Shank



- Made from high speed steel
- Maximum RPM: 2500

Drill Size	Straight Shank		Hex Shank	
	Item #	OA Length	Item #	OA Length
1/8"	DP20100125	2-3/4"	DP20140125	3-1/2"
9/64"	DP20100140	2-7/8"	DP20140140	3-5/8"
11/64"	DP20100171	3-1/4"	DP20140171	4"
13/64"	DP20100203	3-5/8"	DP20140203	4-3/8"



Drill Adapters With Taper Point Drills 1/4" Hex Shank, Quick Change Adapter



- High speed steel drill bits with 1/4" hex shank drill adapter
- For use with any quick-change chuck, cordless and standard drills and screw guns

Item#	Drill Bit Size	Diameter	Overall Length
Drill Adapters With Taper Point Drill Bits			
AA608266	3.2mm	1/8"	3-3/8"
AA608268	3.6mm	9/64"	3-7/16"
Replacement Drill Bits			
AA630266	3.2mm	1/8"	3-3/8"
AA630268	3.6mm	9/64"	3-7/16"

BORING BITS



Counterbores, Carbide Tipped



- Features include precision ground carbide-tipped counterbore for splinter-free cutting, non-slip surface treatment for positive clamping, wide web design for superior strength and replaceable HSS fishtail drills
- Improved Spiral Action for Better Chip Ejection
- Fits Evans, Ritter, Unique, Marcon, Norfield® and Castle® Face Frame Machines

Item#	Type	Description	D	D1	d	L
AA424000	1	Counterbore/drill for face frame machines	3/8"	.136	3/8"	4"
AA424004	-	#29 replacement HSS fish tail drill	-	.136	-	2-7/8"



Pocket Hole Machinery Bits



Item#	Description
CECDB964	9/64" Drill Bit



Spade Bits, 1/4" Shank with Spurs



- For general purpose drilling of hard/soft woods and wood by-products

Item#	Diameter	Length	Item#	Diameter	Length
AA604200	3/8"	6"	AA604400	3/4"	6"
AA604250	1/2"	6"	AA604500	7/8"	6"
AA604270	5/8"	6"	AA604600	1"	6"



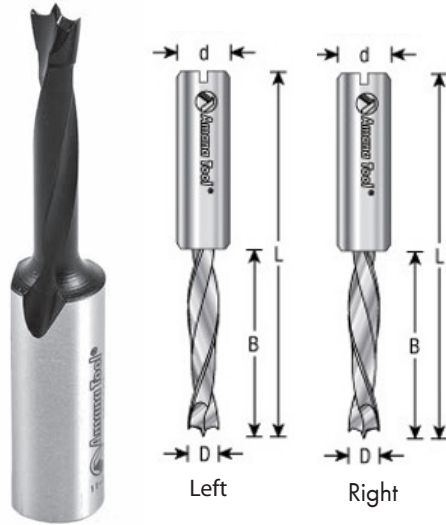
Forstner Bits, 1/4" Hex Shank



- High carbon tool steel
- Designed to drill flat holes in soft and hardwoods
- Forstner bits are good at drilling severe angles and for partial angled holes
- All off-angled and overlapping holes cut with a forstner bit should be drilled on a drill press
- Finished hole will show a small center hole at the bottom of the hole

Item #	Cut Diameter	Shank Dia.	Overall Length
AA600100	1/4"	3/8"	3-1/2"
AA600120	1/2"	3/8"	3-1/2"
AA600140	3/4"	3/8"	3-1/2"
AA600150	7/8"	3/8"	3-1/2"
AA600160	1"	3/8"	3-1/2"
AA600170	1-1/8"	3/8"	3-1/2"
AA600180	1-1/4"	3/8"	3-1/2"
AA600190	1-3/8"	3/8"	3-1/2"
AA600210	1-1/2"	3/8"	3-1/2"

A BORING BITS



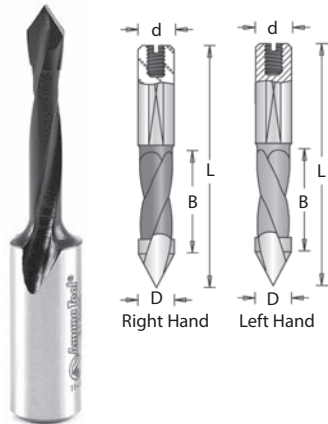
Brad Point Boring, Carbide Tipped



- Do not use with portable drills or routers
- Coated with non-stick coating for longer tool life

Right Rotation Item#	Left Rotation Item#	D	B	d	L
57mm Long, 10mm x 27mm Shank					
AA201005	AA301005	5mm	27mm	10mm	57mm
AA201008	AA301008	8mm	27mm	10mm	57mm
AA201010	AA301010	10mm	27mm	10mm	57mm
AA201015	AA301015	15mm	27mm	10mm	57mm
AA201007	AA301007	1/4"	27mm	10mm	57mm
70mm Long, 10mm x 35mm Shank					
AA204005	AA304005	5mm	35mm	10mm	70mm
AA204008	AA304008	8mm	35mm	10mm	70mm

A
B
C
D
E
F
G
H
I
J
K
L
M
N
O
P
Q
R
S
T
U
V
W
X
Y

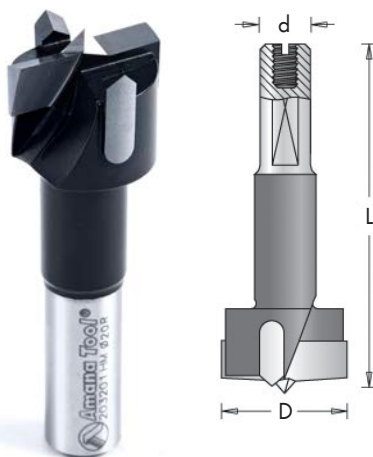


Through-Hole "V" Point Boring



- Do not use in portable drills or routers

Right Rotation Item#	Left Rotation Item#	D	B	d	L
57mm long, 10mm x 27mm Shank					
AA313005	AA413005	5mm	25mm	10mm	57mm
AA313008	AA413008	8mm	47mm	10mm	70mm
70mm long, 10mm x 35mm Shank					
AA314005	AA414005	5mm	40mm	10mm	70mm



Hinge Boring



- For use with boring machines and drill presses only
- 2 wings with spur

Note: AA203431 designed for high RPM (23,000) on plunge routers, CNC routers, machining centers and point-to-point machines

Item#	Rotation	D	d	L
AA203201	Right	20mm	10mm	57mm
AA203261	Right	26mm	10mm	57mm
AA203351	Right	35mm	10mm	57mm
AA203401	Right	40mm	10mm	57mm
AA203431	Right	35mm	1/2"	60mm

BORING BITS

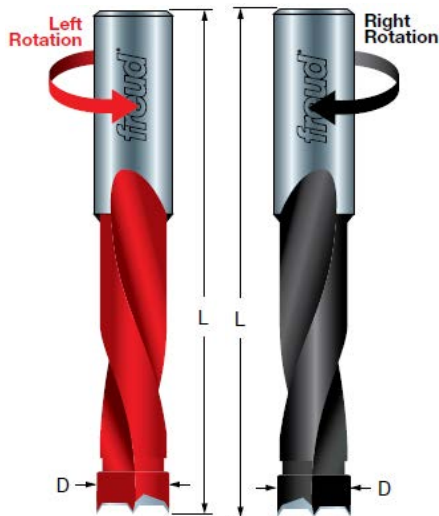


**3 Piece Brad Point and Hinge Boring Bit Set
Carbide Tipped, 57mm Long x 10mm Shank**



- Complete hinge installation set for boring machines.
- Contains 2 AA301008 Brad Point Boring Bits and 1 AA203351 Hinge Boring Bit
- Not to be used in portable drills or handheld routers

Item #
AAHBM102



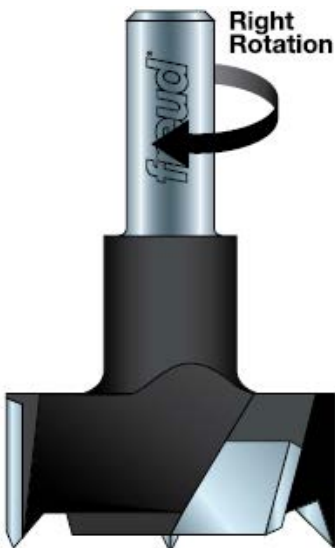
**Industrial Carbide Tipped Brad Point
Boring Bits**



Application: Drills all composition materials, solid surface materials, plywoods, hardwoods, and softwoods on automatic or manual multi-spindle boring machines

- Freud's Boring Bits are designed for multiple spindle machines
- Boring bits are supplied with a 10mm shank with an adjustable top screw making them compatible with most boring machines

Right Rotation Item#	Left Rotation Item#	D Cut Dia.	L Overall Length	Max Hole Depth	Shank Dia.
ABBP50057R	ABBP50057L	5mm	57.5mm	27mm	10mm
ABBP80057R	ABBP80057L	8mm	57.5mm	27mm	10mm



**Industrial Carbide Tipped Cylinder (Hinge)
Boring Bits**



Application: Drills all composition materials, solid surface materials, plywoods, hardwoods, and softwoods. Use on automatic and manual multi-spindle boring machines

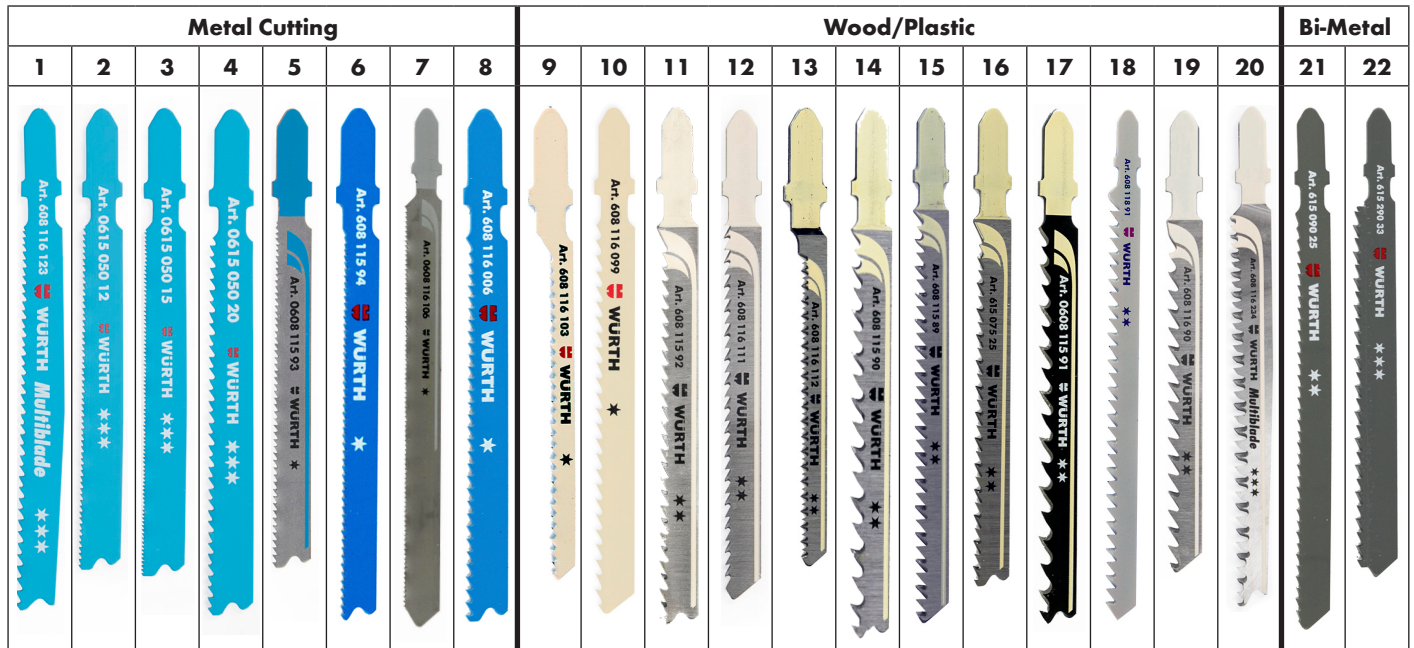
- These boring bits are designed for accurate boring and the two wing cutters and two spur cutters prevent bottom side tear out
- Boring bits are supplied with a 10mm shank with an adjustable top screw making them compatible with most boring

Item#	Rotation	Overall Dia.	Overall Height	Shank Dia.
ABCB35057R	Right	35mm	57.5mm	10mm

A
B
C
D
E
F
G
H
I
J
K
L
M
N
O
P
Q
R
S
T
U
V
W
X
Y

JIG SAW BLADES

Würth Jig Saw Blades



Box Qty: 5 Item#	Overall Length	Teeth per Inch	Type of Blade	Material Thickness	
High Speed Steel (HSS) Metal Cutting Blades					
1	WW608-116-123	4"	20	High Performance - Cuts Sheet Metal, Stainless Steel, Nonferrous Metal, Plastics, And Fiberglass - For Fast Cuts And Long Life In Thick/Thin Metal Pipes & Metal Profiles - T-Shank	Sheet Metal 5/64"-3/8", Stainless Steel 1/16" - 1/8", Nonferrous Metal 5/64" -3/4", Plastics 1/16" - 1-1/4", Fiberglass 3/64" - 3/4"
2	WW615-050-012	3"	24	Bi-Metal, Break Resistant And Durable - Cuts Thin Metals (Ferrous & Non-ferrous) - For Straight Cuts, Long Life - T-Shank	1/16" - 1/8"
3	WW615-050-15	3"	18	Bi-Metal, Break Resistant And Durable - Cuts Med.-Thin Metals (Ferrous & Non-Ferrous) - For Straight Cuts, Long Life - T-Shank	5/64" - 7/32"
4	WW615-050-20	3-5/8"	14	Bi-Metal, Break Resistant And Durable - Longer Blade For Cutting Medium-Thin Metals (Ferrous & Non-ferrous) - For Straight Cuts, Long Life - T-Shank	1/8" - 1/4"
5	WW608-115-93	3-5/8"	17-24	Economical - Cuts thin metals (Ferrous & Non-Ferrous) - For straight cuts - T-Shank	1/16" - 1/8"
6	WW608-115-94	3-5/8"	17-24	Economical - Cuts thin metals (Ferrous & Non-Ferrous) - For curved cuts - T-Shank	1/16" - 1/8"
7	WW608-116-106	5-1/4"	24	Economical - Longer blade for cutting thin metals (Ferrous & Non-Ferrous) - For straight cuts - T-Shank	1/16" - 1/8"
8	WW608-116-006	3"	11-24	Economical - Cuts medium-thin metals (Ferrous & Non-Ferrous) - For straight cuts - T-Shank	1/8" - 1/4"

JIG SAW BLADES

Würth Jig Saw Blades



	Box Qty: 5, 25, 100 Item#	Overall Length	Teeth per Inch	Type of Blade	Material Thickness
High Carbon Steel (HCS) Wood/Plastics Cutting Blades					
9	WW608-116-103 -	3"	12	Economical - Cuts soft wood, chipboard, particleboard, plywood, fiberboard - Designed for fast, coarse curved cuts, ideal for jig saws without orbital action - T-Shank	5/64" - 1/2"
10	WW608-116-099 -	3"	8	Economical - Cuts soft wood, chipboard, particleboard, plywood, fiberboard - Designed for fast coarse cuts, ideal for jig saws without orbital action - T-Shank	7/32" - 2-3/8"
11	WW608-115-92 WW608-115-92-100	4"	10	Fine Clean Cuts - Cuts hard/soft woods, plastics, plywood, laminated particleboard - Designed for straight fine cuts and plunge cuts - T-Shank	3/16" - 1-1/4"
12	WW608-116-111 WW608-116-111-100	4"	10	Fine Clean Cuts - Cuts hard/soft woods, plywood, laminated particleboard & plastics - Designed for straight fine, down cuts - T-Shank	3/16" - 1-1/4"
13	WW608-116-112 -	3"	20	Fine Clean Cuts - Cuts hard/soft wood, laminated particleboard, plywood, plastics - Designed for curved cutting, splinter free cuts on both sides of work piece - T-Shank	5/64" - 3/4"
14	WW608-115-90 WW608-115-90-25	4"	6	Fine Clean Cuts - Cuts hard/soft woods, plywood, laminated particleboard & plastics - Designed for straight clean cuts and plunge cuts - T-Shank	1/4" - 2-3/8"
15	WW608-115-89 -	4-5/8"	8	Fine Clean Cuts - Cuts hard/soft wood, plywood, laminated particleboard & plastics - For medium-fine cuts - T-Shank	Hard/Soft Wood, Plywood 3/16" - 1-1/4", Plastics 3/16" - 1-1/4"
16	WW615-075-25 -	4"	10	Bi-Metal, Fine Clean Cuts - Cuts hard/soft wood, plastics, plywood, laminated particleboard - Designed for straight fine cuts, long life - T-Shank	3/16" - 1-1/4"
17	WW608-115-91 WW608-115-91-25	4"	6	Fast Cuts - Cuts soft/hard wood, chipboard, particleboard, plywood, fiberboard - Designed for fast, straight, & plunge cuts - T-Shank	1/4" - 2-3/8"
18	WW608-118-91 -	6"	6	Fast Cuts - Cuts soft/hard wood, chipboard, particleboard, plywood, fiberboard - For very fast, straight cuts - T-Shank	1/4" - 4"
19	WW608-116-90 -	4"	6	Precise Cuts, Parallel Cuts - Cuts hard/soft woods, plywood, laminated particleboard & plastics - For angled cuts and parallel cuts - T-Shank	1/4" - 2-3/8"
20	WW608-116-234 -	4-1/2"	8-1/2	High Performance - Cuts hard/soft wood, particleboard & plywood - For fast, clean, splinter free cuts in thick/thin material - T-Shank	
Construction Blades Bi-Metal					
21	WW615-090-025	4"	8	Precise cuts - Cuts wood with nails, OSB, plastics - Designed for precise, straight cuts - T-Shank	Wood w/Nails, Plastics 1/8" - 1 1/4", Nonferrous Metal, Alum. 1/8" - 1/2"
22	WW615-290-33 (Card of 3 blades)	5-3/16"	8	Carbide Strip - Cuts Corian, Solid Surface and other abrasive materials	3/16" - 2-1/2"

A
B
C
D
E
F
G
H
I
J
K
L
M
N
O
P
Q
R
S
T
U
V
W
X
Y

A
B
C
D
E
F
G
H
I
J
K
L
M
N
O
P
Q
R
S
T
U
V
W
X
Y

JIG SAW BLADES

Bosch Jig Saw Blades



BOSCH

Metal Cutting					Wood/Plastic								Bi-Metal			
1	2	3	4	5	6	7	8	9	10	11	12	13	14	15	16	17

	Box Qty: 5 & 100 Item#	Overall Length	Teeth per Inch	Type of Blade	Material Thickness
High Speed Steel (HSS) Metal Cutting Blades					
1	BLT118AF -	3-5/8"	17-24	Bi-Metal, Break Resistant & Durable - Cuts thin metals (Ferrous & Non-ferrous) - For straight cuts, long life - T-Shank	Up to 16 gauge Thin Metals 1/16" - 1/8"
2	BLT118G -	3-5/8"	36	Economical - Cuts Very Thin Metals (Ferrous & Non-Ferrous) - For Straight Cuts - T-Shank	Very Thin Metals 1/64" - 3/64"
3	BLT118A BLT118A100	3-5/8"	17-24	Economical - Cuts thin metals (Ferrous & Non-Ferrous) - For straight cuts - T-Shank	Thin Metals 1/16" - 1/8"
4	BLT118B -	3-5/8"	11-14	Economical - Cuts medium-thin metals (Ferrous & Non-Ferrous) - For straight cuts - T-Shank	Medium - Thin Metals 1/8" - 1/4"
5	BLT318A -	5-1/4"	24	Economical - Longer blade for cutting thin metals (Ferrous & Non-Ferrous) - For straight cuts - T-Shank	Thin Metals 1/16" - 1/8"
High Speed Steel (HCS) Wood/Plastics Cutting Blades					
6	BLT119BO -	3-1/4"	12	Economical - Cuts Soft Wood, Chipboard, Particleboard, Plywood, Fiberboard - Designed For Fast, Coarse Curved Cuts, Ideal For Jig Saws w/out Orbital Action - T-Shank	Soft Wood, OSB, Plywood 5/64" - 1/4"
7	BLU101BR -	3-5/8"	10	Fine Clean Cuts - Cuts Laminated Particleboard, Chipboard, Plywood, Hard/Soft Wood, & Plastics - For Straight, Fine Down Cuts, Splinter Free Cuts - U-Shank	3/16" - 1-1/4"
8	BLT101B BLT101B100	4"	10	Fine Clean Cuts - Cuts Hard/Soft Woods, Plastics, Plywood, Laminated Particleboard - For Straight Fine Cuts And Plunge Cuts - T-Shank	3/16" - 1-1/4"

JIG SAW BLADES

Bosch Jig Saw Blades



	Box Qty: 5 & 100 Item#	Overall Length	Teeth/ Inch	Type of Blade	Material Thickness
High Carbon Steel (HCS) Wood/Plastics Cutting Blades					
9	BLT101BR BLT101BR100	4"	10	Fine Clean Cuts - Cuts Laminated Particleboard, Chipboard, Plywood, Hard/Soft Wood & Plastics - For Straight, Fine Down Cuts, Splinter Free Cuts - T-Shank	3/16" - 1-1/4"
10	BLT101D BLT101D100	4"	5-6	Fine Clean Cuts - Cuts Hard/Soft Woods, Plywood, Laminated Particleboard & Plastics - For Straight Clean Cuts & Plunge Cuts - T-Shank	1/4" - 2-3/8"
11	BLT301CD -	4-5/8"	8	Fine Clean Cuts - Cuts Hard/Soft Wood, Plywood, Laminated Particleboard & Plastics - For Med.-Fine Cuts - T-Shank	3/16" - 2-3/8" 3/16" - 1-1/4"
12	BLT244D BLT244D100	4"	5-6	Fast Cuts - Cuts Soft/Hard Wood, Chipboard, Particleboard, Plywood, Fiberboard - For Fast, Curved Cuts And Plunge Cuts - T-Shank	1/4" - 2-3/8"
13	- BLT144D100	4"	5-6	Fast Cuts - Cuts Soft/Hard Wood, Chipboard, Particleboard, Plywood, Fiberboard - For Fast, Straight Cuts And Plunge Cuts - T-Shank	1/4" - 2-3/8"
14	BLT101DP -	4"	6	Precise Cuts, Parallel Cuts - Cuts Hard/Soft Woods, Plywood, Laminated Particleboard & Plastics - For Angled Cuts And Parallel Cuts - T-Shank	1/4" - 2-3/8"
15	BLT234X -	4-1/2"	8-12	High Performance - Cuts Hard/Soft Wood, Particleboard & Plywood - For Fast, Clean, Splinter Free Cuts In Thick Or Thin Material - T-Shank	
Bi-Metal Construction Blades					
16	BLT345XF -	5-1/4"	5-10	High Performance - All purpose for fast clean cuts through wood with nails and other sandwich materials - T-Shank	Wood w/Nails, Ply 3/16" - 3-5/8" Metal 3/16" - 3/8" Nonferrous Metal, Alum. 5/64" - 1-1/4"
17	BLT101AOF -	3-1/4"	20	Produce clean cuts in laminate flooring - T-Shank	-

A
B
C
D
E
F
G
H
I
J
K
L
M
N
O
P
Q
R
S
T
U
V
W
X
Y

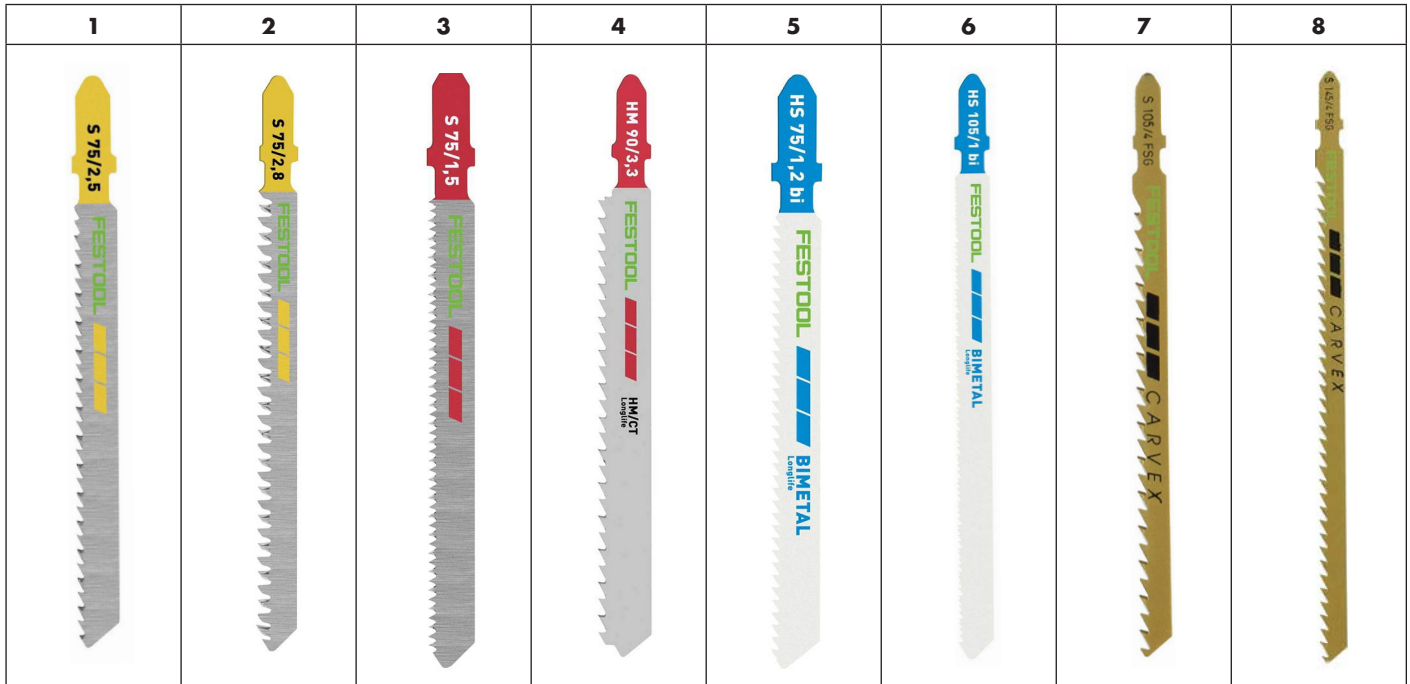
A
B
C
D
E
F
G
H
I
J
K
L
M
N
O
P
Q
R
S
T
U
V
W
X
Y

JIG SAW BLADES

Festool Jig Saw Blades

FESTOOL

- For use with Festool Trion and Carvex Jig Saws
- All are packed 5 blades per card except FJ504269 which is 1 blade.



	Item #	OA Length	TPI	Description
1	FJ204256	3"	10	Cross-cut style teeth for precise, splinter-free cuts in wood. The high grade HCS tool steel gives outstanding results on wood materials. Cuts through material up to 1-3/16" (30mm) thick.
2	FJ204260	3"	9	Straight Cut Wood Blades have extremely sharp Japanese style teeth that first score wood fibers, then cut through cleanly, for highly precise perpendicular cuts. The high grade HCS tool steel gives outstanding results on wood materials. Cuts through material up to 1-3/16" thick.
3	FJ204268	3"	17	Designed for cutting plastic profiles, acrylic glass (e.g. Plexiglas), and soft plastics. Cuts through material up to 1-3/16" thick.
4	FJ204269	3-17/32"	7 - 8	For laminate and boards bonded with melamine resin. Cuts through material up to 1-3/16" thick.
5	FJ204270	3"	21	Basic rippled design is ideal for cutting both non-ferrous metals (aluminum, brass, etc.) and steel. Cuts through material up to 2-5/32" thick.
6	FJ204272	4-1/8"	19	Basic rippled design is ideal for cutting both non-ferrous metals (aluminum, brass, etc.) and steel. Cuts through material up to 1-9/16" thick.
7	FJ499477	4-1/8"	6	Excellent blade for fast and clean cuts in softwoods, hardwoods, melamine, veneered plywood and chipboard. The cross-set teeth are perfect for both fast and clean cuts. Works well as general purpose blade. Cuts through material up to 3-3/8" thick.
8	FJ499478	5-3/4"	6	Excellent blade for fast and clean cuts in softwoods, hardwoods, melamine, veneered plywood and chipboard. The cross-set teeth are perfect for both fast and clean cuts. Works well as general purpose blade. Cuts through material up to 4-3/4" thick.

WÜRTH HOLESAWS & SAW BLADES



Bi-Metal Hole Saw, Premium Grade



- Bi-metal construction allows a fast and clean cut
- Suitable for materials including: wood, steel, plastic, aluminum, copper, and bronze
- Depth of Cut: 1-1/4" (32mm)

Note: Mandrel, ejector spring, and extension are sold separately

Replacement Bits	
WW632014	Repl. Bit for WW63202 Mandrel
WW6320141	Repl. Bit for WW63204 Mandrel
Accessories	
WW63207	Ejector spring for holesaws
WW63202	Mandrel: Built-in locking mechanism for extra torque strength
WW63204	Mandrel: Screw in arbor

Individual Hole Saws			
Item#	Cutting Diameter	Item#	Cutting Diameter
WW63219	3/4" (19mm)	WW63264	2- 1/2" (64mm)
WW63225	1" (25mm)	WW63276	3" (76mm)
WW63241	1-5/8" (41mm)	WW63283	3- 1/4" (83mm)
WW63244	1- 3/4" (44mm)	WW63289	3- 1/2" (89mm)
WW63251	2" (51mm)	WW632102	4" (102mm)
WW63260	2- 3/8" (60mm)	WW632114	4- 1/2" (114)

Hole Saw Kit	
WW964632B	Kit includes: 3/4", 7/8", 1", 1-1/4", 1-3/8", 1-1/2", 1-3/4", 2", 2-1/4", 2-1/2", 2-5/8", 3" and Mandrel



Double Faced Melamine & Plastic



- For fine cuts in laminated board on both sides with melamine
- Table saws without scoring unit, vertical panel sizing saws, (Striebig, Holz-Her, etc.), radial arm saws, for cutting/grooving of soft and hard woods, with or against the grain
- Extra hard sub-micrograin carbide tips for long edge life

Item#	Outside Dia.	# of Teeth	Grind	Hook Angle	Bore
WW611625480	10"	80	35° ATB	-5°	5/8"



Ripping & Crosscut 4 ATB & 1 Flat



- For cutting/grooving of soft and hard woods with or against the grain.

Item#	Outside Dia.	# of Teeth	Grind	Hook Angle	Bore
WW611625450	10"	50	4 ATB, 1 Flat	15°	5/8"



Triple Chip/Flat



- For cutting plastic laminated particle boards, HPL particle boards, Plastic laminated MDF boards

Item#	Outside Dia.	# of Teeth	Grind	Hook Angle	Bore
WW611625460	10"	60	TC/Flat	10°	5/8"
WW611625481	10"	80	TC/Flat	10°	5/8"

A
B
C
D
E
F
G
H
I
J
K
L
M
N
O
P
Q
R
S
T
U
V
W
X
Y

A MANA SAW BLADES



Plate Joiner, 10mm



- Designed with anti-kickback “fingers” that limit chip thickness to provide a safer cut without loss of cutting speed or quality
- The blade fits most brands and models of plate jointers, including Lamello, Virutex, Freud, Kaiser, Elu, and DeWalt and others
- Packaged in a re-usable protective foam sleeve

Note: Not for use with Porter Cable 557

Item #	Teeth	Kerf	Bore
AALAM400T6	6	4mm	22mm



Prestige™



18° Hook Alternate Top Bevel (ATB) Grind

- Prestige™ is rated excellent for ripping solid wood, crosscutting solid wood, ripping plywood and crosscutting plywood
- The precision ground D-10 carbide teeth are individually computer-verified for minimal runout.
- Features a massive tool-steel plate (.102” thick) with expansion slots and copper plugs that practically eliminate vibration.
- The 40 teeth are ground with a steep 20° bevel angle, alternating left/right, for crisp, clean cuts both across grain and with the grain.
- The 18° hook angle yields an effortless feed.

Item#	Outside Dia.	# of Teeth	Grind	Hook Angle	Kerf Width	Plate Thickness	Cooling Expansion Slots	Copper Plugs	Bore
AAPR1040	10"	40	ATB	18°	.134"	.102"	Yes	Yes	5/8"
AAPR1240	12"	40	ATB	18°	.134"	.102"	Yes	Yes	1"



Glue Line Ripping



22° Hook, Triple Chip (TC) Grind

- Rip then glue up – with this blade, there’s no need for sanding or jointing after the cut
- The precision triple-chip grind and extra-high hook angle allow aggressive feed rates, yet produces an extra-smooth cut finish
- The thick plate minimizes vibration
- Use on table saws, sliding table saw, single and gang-rip operations

Item #	Outside Dia.	# of Teeth	Grind	Hook Angle	Kerf Width	Plate Thickness	Cooling Expansion Slots	Copper Plugs	Bore
AA610301	10"	30	TCG	22°	.145"	.095"	Yes	Yes	5/8"

AMANA SAW BLADES



Combination Ripping & Crosscut, 15° Hook, Combo Grind 4 ATB & 1 Raker



- Where one blade must do almost everything, ripping and crosscutting hard wood and soft wood, cutting plywood, this blade is a good choice
- It is in the traditional combination-blade configuration, with a flat-top tooth and 4 alternate top bevel teeth in groupings of five
- The large gullets at the raker tooth allow deep cuts with improved chip ejection

Item#	Outside Dia.	# of Teeth	Grind	Kerf Width	Plate Thickness	Hook Angle	Cooling Exp.Slots	Copper Plugs	Bore
AA610504	10"	50	4 ATB, 1 Raker	.135"	.095"	15°	No	No	5/8"
AA612604	12"	60	4 ATB, 1 Raker	.150"	.110"	15°	No	No	1"



Cut-Off & Crosscut, 10° Hook, Alternate Top Bevel (ATB) Grind



- Combination of 10 degree hook and the alternate top bevel tooth grind provide good-quality cuts and a long cutting life
- Suitable for hard woods, soft woods, plywood and chipboard
- Good choice for heavy production in any cabinet-making shop

Item#	Outside Diameter	# of Teeth	Grind	Hook Angle	Kerf Width	Plate Thickness	Cooling Exp. Slots	Copper Plugs	Bore
AA610600	10"	60	ATB	10°	.126"	.087"	Yes	Yes	5/8"
AA612600	12"	60	ATB	10°	.126"	.087"	Yes	Yes	1"
AA616960	16"	96	ATB	10°	.137"	.098"	Yes	Yes	1"



Fine Cut-off & Crosscut, 10° Hook, Triple Chip (TC) Grind



- Veneer and laminate design
- Ideal for cutting materials with fragile surface layers, like veneers and laminates
- High tooth counts yield smooth finishes and the 10 degree hook angle provides effortless feeding
- The triple-chip tooth opens a narrow kerf, and the raker widens it

Item#	Outside Dia.	# of Teeth	Grind	Kerf Width	Plate Thickness	Hook Angle	Cooling Exp. Slots	Copper Plugs	Bore
AA610801	10"	80	TCG	.126"	.087"	10°	Yes	Yes	5/8"
AA612961	12"	96	TCG	.126"	.087"	10°	Yes	Yes	1"

A
B
C
D
E
F
G
H
I
J
K
L
M
N
O
P
Q
R
S
T
U
V
W
X
Y

A
B
C
D
E
F
G
H
I
J
K
L
M
N
O
P
Q
R
S
T
U
V
W
X
Y

AMANA SAW BLADES



General Purpose Cut-off 10° Hook, Triple Chip (TC) Grind



- Engineered to provide general trim and crosscut of single or double sided plastic laminated materials
- Blade leaves a smooth clean chip free finish on the top and bottom edges
- Blade features a high tooth count, the triple-chip grind and a 10° hook angle for a successful

Item#	Outside Dia.	# of Teeth	Grind	Hook Angle	Kerf Width	Plate Thickness	Cooling Exp. Slots	Copper Plugs	Bore
AA610601	10"	60	TCG	10°	.126"	.087"	Yes	Yes	5/8"
AA612721	12"	72	TCG	10°	.126"	.087"	Yes	Yes	1"



Trim 10° Hook, Alternate Top Bevel (ATB) Grind



- Suitable for use on table saws, sliding table saws, radial arms, and miter saws of all types
- Leaves a super-smooth finish when cutting hard or softwood
- Especially suited to trimming and sizing veneers and laminates in single sheets or in stacks
- The alternate top grind and high tooth counts produce excellent, chip-free cuts
- The 10° hook angle provides effortless feeding

Item #	Outside Dia.	# of Teeth	Grind	Hook Angle	Kerf Width	Plate Thickness	Cooling Expansion Slots	Copper Plugs	Bore
AA610800	10"	80	ATB	10°	.126"	.087"	Yes	Yes	5/8"



Double-Face Melamine & Laminate 6° Negative Hook, 25° High ATB Grind



- Designed to cut melamine without chipping on the top or bottom edges.
- Special "high alternate triple bevel" grind (with 25 degree bevels) slices cleanly through fragile surface coatings like melamine and laminate.
- Heavy-duty plate for added stability and extremely smooth cuts - easily resharpened.

Item#	Outside Dia.	# of Teeth	Grind	Kerf Width	Plate Thickness	Hook Angle	Cooling Exp. Slots	Copper Plugs	Bore
AAMB86400	8"	64	H-ATB	.110"	.087"	25°	Yes	Yes	5/8"
AAMB10800	10"	80	H-ATB	.126"	.102"	25°	Yes	Yes	5/8"
AAMB12960	12"	96	H-ATB	.126"	.102"	25°	Yes	Yes	1"

AMANA & A.G.E. BY AMANA SAW BLADES



Solid Surface 0° Hook, Modified Triple Chip (MTC) Grind



- Designed to cut solid surface materials
- Triple chip grind is configured to leave a swirl-free cut in solid surface materials
- Thick, stable plate reduces vibration that degrades the cut and shortens tool life
- Zero degree hook angle virtually eliminates self-feeding when it is used with a radial arm saw
- -30 blades feature pin-hole configuration of 2/7/42, 2/9/46 and 2/10/60

Item#	Outside Dia.	# of Teeth	Grind	Hook Angle	Kerf Width	Plate Thickness	Cooling Exp. Slots	Copper Plugs	Bore
AA610721	10"	72	MTC	0°	.126"	.095"	Yes	Yes	5/8"
AA610721-30	10"	72	MTC	0°	.126"	.095"	Yes	Yes	30mm
AA612841	12"	84	MTC	0°	.126"	.095"	Yes	Yes	1"
AA612841-30	12"	84	MTC	0°	.126"	.095"	Yes	Yes	30mm



Cut-Off & Cross-Cut



- For hardwood, softwood, plywood and chipboard
- For heavy production
- Use on table and sliding table saws



Item#	Outside Dia.	# of Teeth	Grind	Hook Angle	Kerf Width	Plate Thickness	Cooling Exp. Slots	Copper Plugs	Bore
AAMD10-600	10"	60	ATB	12°	.126"	.087"	No	No	5/8"
AAMD10-800	10"	80	ATB	10°	.126"	.087"	No	No	5/8"
AAMD12-600	12"	60	ATB	12°	.126"	.087"	No	No	1"
AAMD12-800	12"	80	ATB	10°	.135"	.098"	No	No	1"



Double Sided Melamine & Laminate 10" & 12" Carbide Tipped Circular Blade



- Cuts melamine chip-free on both sides
- Increased thickness of plate for added stability, & special 'high-ATB grind for extremely smooth cuts



Item#	Outside Dia.	# of Teeth	Grind	Hook Angle	Kerf Width	Plate Thickness	Cooling Exp. Slots	Copper Plugs	Bore
AAMD10-803	10"	80	H-ATB	-5°	.126"	.087"	No	No	5/8"
AAMD12-963	12"	96	H-ATB	-5°	.126"	.100"	No	No	1"

A
B
C
D
E
F
G
H
I
J
K
L
M
N
O
P
Q
R
S
T
U
V
W
X
Y

FREUD SAW BLADES



Ripping & Crosscutting



Application: General purpose table saw blades

- Fully Re-sharpenable with 30% more carbide
- Freud TiCo™ Hi-Density Carbide with Freud Tri-Metal Brazing
- Silver I.C.E. Coating prevents build up on the blade surface and keeps the blade running cooler and cleaner
- Freud Laser Cut Anti-Vibration Technology

Item#	Outside Dia.	# of Teeth	Teeth Configuration	Kerf Width	Plate Thickness	Coating	Bore
ABLU2A1802	10"	40	ATB	0.126"	0.087"	Silver I.C.E	5/8"
ABLU2B0704	10"	60	ATB	0.126"	0.087"	Silver I.C.E	5/8"
ABLU2C1201	10"	80	Hi ATB	0.126"	0.087"	Silver I.C.E	5/8"



Heavy Duty Ripping



- The ideal working range is from 1/8" to 1" thick woods
- This blade also features laser cut anti-vibration slots, practically eliminating the vibration that resonates in standard blades
- No need for stabilizers
- Silver I.C.E.™ (Industrial Cooling Element) coating resists corrosion and resin or "pitch" build-up and resists heat stress twice as long as standard polished blades. Heat Stress can cause rapid loss of tension which causes blade warp resulting in a poor quality cut

Item#	Outside Diameter	# of Teeth	Teeth Configuration	Kerf Width	Plate Thickness	Coating	Bore
ABLM72M010	10"	30	Triple Chip Guard	0.118"	0.098"	Silver I.C.E.™	5/8"



Ultra High Performance Premier Fusion



- The ultimate combination of fused tooth grind geometry, blade body rigidity, precise tensioning, a special carbide blend and superior carbide brazing, no-stick Perma-SHIELD® coating and high performance anti-vibration- all working together in concert to provide the ultimate cut
- 30° High ATB configuration design provides a glass smooth finish while also giving a flawless top and bottom finish in veneered plywoods, melamine and hard woods
- Perma-SHIELD® permanent nonstick coating reduces heat build up, friction, gumming and corrosion which add up to longer blade life and better performance

Item#	Outside Dia.	# of Teeth	Teeth Configuration	Kerf Width	Plate Thickness	Coating	Bore
ABP410	10"	40	High Alternate Top Bevel	0.126"	0.098"	Perma-SHIELD®	5/8"

FREUD SAW BLADES



General Purpose/Combination



- Effectively rips a piece of 4" x 4" oak and also crosscut a sheet of 3/4" plywood
- The groups of five teeth include one flat tooth for ripping, followed by four alternate top bevel teeth for crosscutting and a large gullet for effective chip clearance
- Features laser cut anti-vibration slots- there is no need for stabilizers
- Silver I.C.E.™ (Industrial Cooling Element) coating resists corrosion and resin or "pitch" build-up and resists heat stress twice as long as standard polished blades. Heat Stress can cause rapid loss of tension which causes blade warp resulting in a poor quality cut

Item#	Outside Diameter	# of Teeth	Teeth Configuration	Kerf Width	Plate Thickness	Coating	Bore
ABLU84M011	10"	50	Combination	0.126"	0.087"	Silver I.C.E.™	5/8"



Thin Kerf Sliding Compound Miter Saw



- This blade's 5 degree negative hook angle helps prevent the blade from being too aggressive and pushes the work piece down and towards the fence
- Thin kerf blades remove less material than standard carbide blades.
- Perma-SHIELD® Permanent Nonstick Coating reduces heat build up, friction, gumming and corrosion which add up to longer blade life and better performance

Item#	Outside Diameter	# of Teeth	Teeth Configuration	Kerf Width	Plate Thickness	Coating	Bore
ABLU91R010	10"	60	Alternate Top Bevel	0.090"	0.071"	Perma-SHIELD®	5/8"
ABLU91R012	12"	72	Alternate Top Bevel	0.090"	0.071"	Perma-SHIELD®	1"



Ultimate Plywood & Melamine



- Provides flawless, chip free edges in veneered plywoods, fine moldings, melamine, laminates, and crosscuts in solid woods.
- Features laser-cut, anti-vibration slots that practically eliminate the vibrations that resonate in standard blades.
- High alternate top bevel tooth design and anti-vibration slots, results in a cut so smooth it eliminates the need for stabilizer or a scoring blade.
- Perma-SHIELD® permanent nonstick coating reduces heat build up, friction, gumming and corrosion which add up to longer blade life and better performance.

Item#	Outside Dia.	# of Teeth	Teeth Configuration	Kerf Width	Plate Thickness	Coating	Bore
ABLU80R010	10"	80	High Alternate Top Bevel	0.126"	0.087"	Perma-SHIELD®	5/8"
ABLU80R012	12"	96	High Alternate Top Bevel	0.126"	0.087"	Perma-SHIELD®	1"

A FREUD SAW BLADES



Heavy Duty/Multi-Purpose



- Multi-purpose blade cuts stacks of man-made wood products as well as hardwood and softwood up to 2-3/4" thick.
- Ideal working range is 1/2" to 2-3/4" thick, thinner or thicker materials may be cut, resulting in some loss of surface finish.
- Silver I.C.E.™ (Industrial Cooling Element) Coating resists corrosion and resin or "pitch" build-up and resists heat stress twice as long as standard polished blades.

Item#	Outside Diameter	# of Teeth	Teeth Configuration	Kerf Width	Plate Thickness	Coating	Bore
ABLU82M010	10"	60	Triple Chip Grind	0.126"	0.087"	Silver I.C.E.™	5/8"



300mm Panel Sizing



Application: To size bilaminated panels, with perfect finish on both sides without use of the scoring saw blade

- Machines: Vertical saws, panel-sizing machines, portable machines
- Features: ATB 38° tooth, with variable cutting angle according to the diameter
- Silver I.C.E. Coating prevents build up on the blade surface and keeps the blade running cooler and cleaner
- Material: Double sided panels with extremely fine coatings, veneered panels

Item#	Outside Diameter	# of Teeth	Teeth Configuration	Kerf Width	Plate Thickness	Coating	Bore
ABLU3A03	300mm	96	ATB Grind	3.2mm	2.5mm	Silver I.C.E	30mm



8" Pro Dado Set



Application: For flat bottom grooves ranging in sizes from 1/4" to 7/8" in laminated plywood, melamine and solid wood

- The set includes 2 blades, 3 chippers, spacers and a shim set for micro adjustability
- Optimized blade design for premium performance on all safety brake equipped and underpowered saws including Saw Stop, Jet, Dewalt, Bosch, and more
- Silver I.C.E. Coating prevents build up on the blade surface and keeps the blade running cooler and cleaner
- Features Premium TiCo™ HI-Density Carbide Crosscutting Blend for Maximum Performance

Item#	Outside Diameter	# of Teeth	Chippers	Coating	Bore
ABSD208S	8"	12	(3) 1/8" Chippers, (3) Spacers	Silver I.C.E	5/8"