



We are America's Cabinetmaker.™



Classic™ Product Line  
Designer Guide  
Our cornerstone product line.



**Lori Lewandowski**  
Design Services Manager, Merillat Cabinetry  
Cabinetry Industry 14 years

*Lori*

# I AM MERILLAT.®

“

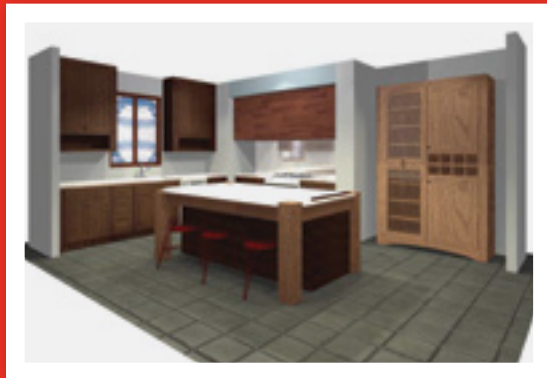
In 1946, Orville and Ruth Merillat started a company. A company based on hard work, commitment to customers, and an unwavering passion for going above and beyond. This guide provides the tools and tips you need to help you design based on the spaces you see in our Merillat Cabinetry materials. In addition, all the set plans and details for each of these designs can be found on our website. We're working to give you the best resources, and we are your biggest supporter. You are Merillat, too. And together, we are "America's Cabinetmaker."

”

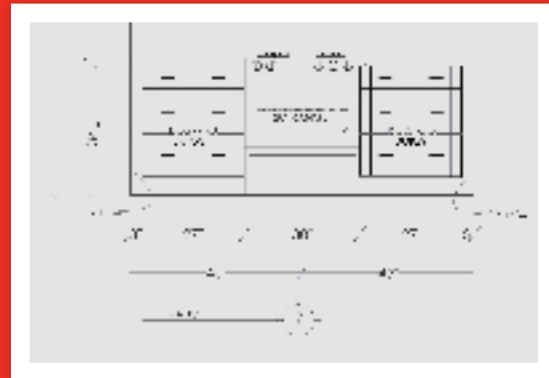
*Leonardowski*

# Download all 20-20 set designs and plans shown in this book.

Visit [MerillatBusiness.com](http://MerillatBusiness.com).



20-20 3d rendering view.



20-20 elevation views.



Top views with dimensions and SKU list.



Detail views.

## We're here to help.

“

Throughout this guide, you'll hear from us. Our designers, who want you to see behind the scenes of our designs. Our trainers, who want to provide tips that will help you better work with customers. We create cabinets, but our #1 goal is to help you build your business. If you win, we all win. So let's start winning – together. – Debbie Hobbs

”



**Debbie Hobbs**

Corporate Trainer, Merillat Cabinetry  
Cabinetry Industry 20 years

Lori Lewandowski



## Designer Profile

**Lori Lewandowski** / CKD / CAPS  
BA in Interior Design, The University of Akron

**Design style** / Transitional / Arts and Crafts

**I believe** that design is an extension of one's personality. Great designers can help incorporate a customer's personality into his or her home project.

I love working with people in a creative fashion. Helping people find happiness within their home is so rewarding.



## Bayville Kitchen: Design Inspiration

**Who** / Empty Nesters

**Age** / 60-70 years old

**Location** / New Orleans, LA

**Type of architecture** / 4 Bedroom Creole Cottage

**Marital/family status** / Married / Grandparents

**Values** / Peace / Faith / Comfort

**Situation/project challenges** / They have raised three children and helped care for six grandchildren. They have eagerly waited for the retirement years to splurge on their dream kitchen, a place where they want to relax and enjoy life.



# Material List



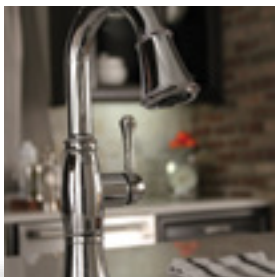
**Door Style /**  
Bayville



**Color /**  
Maple Dusk



**Merillat Masterpiece®  
Hardware /**  
Radiant Knob 7164.PN  
Empire Pull 7120.PN



**Faucet /**  
Delta® Cassidy Pull Down 9197-DST

**Wall Paint /** Behr® Shoelace OR-W13

**Ceiling Paint /** Behr® Evaporation N450-1

**Flooring /** Ceramic Tile Bayur Borneo

**Countertop /** Quartz Lagoon

**Wall Tile /** Travertine Tumbled Claros Silver

**Lighting /** Lamps Plus Chandelier 74638

**Furniture /** Cynthia Rowley Upholstered Chairs & Hayneedle Winslow Pedestal Table



NEW  
BAYVILLE



New Door Style: Bayville  
Wood Type: Maple  
New Color: Dusk  
Hardware: Radiant Knob 7164.PN & Empire Pull 7120.PN

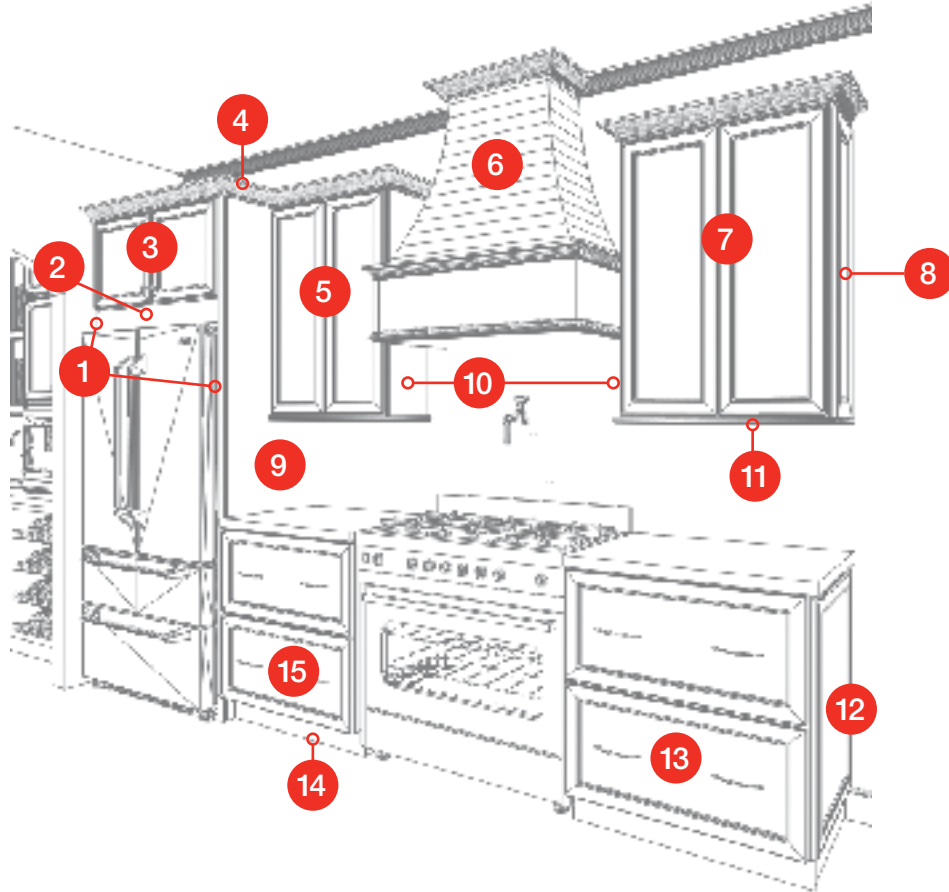
See island details on page 48.



“

Our new Base Pots and Pans Storage Drawer (numbers 13 and 15 below) is deep enough to store big pots and pans, and keep them in easy reach.  
 – Lori Lewandowski

”



- |                |                     |
|----------------|---------------------|
| 1. TEPF1-96    | 9. TEP96            |
| 2. V48T        | 10. WEP42           |
| 3. WR3618      | 11. SBP8            |
| 4. ACM8 w/SBP8 | 12. MBEP2434[R]     |
| 5. W2739B      | 13. BPPS30.2        |
| 6. WHCV362442  | 14. TKCV8           |
| 7. W2739B      | 15. BPPS30.2-PDDO30 |
| 8. MWEP39      |                     |

NEW  
BAYVILLE



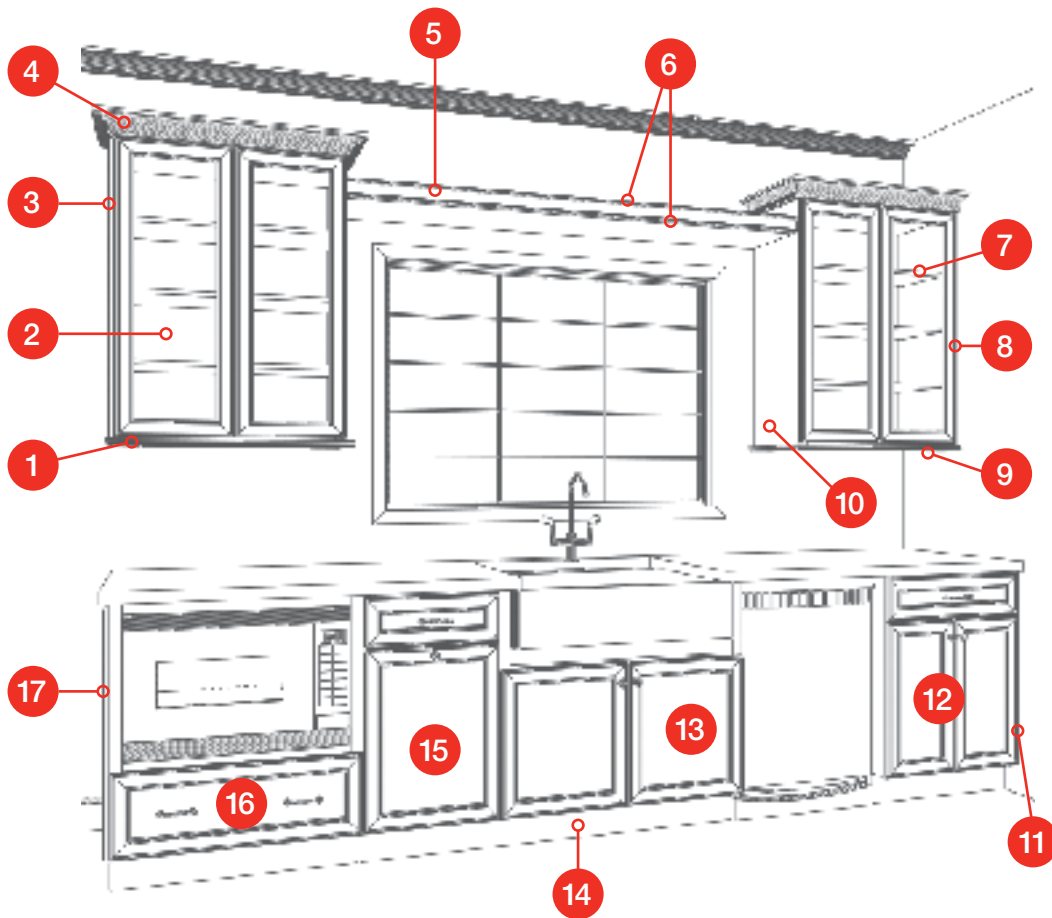
New Door Style: Bayville  
Wood Type: Maple  
New Color: Dusk  
Hardware: Radiant Knob 7164.PN & Empire Pull 7120.PN

See island details on page 48.

“

I wanted to incorporate glass cabinets with matching interiors on our new 39" high wall cabinets. This is a great way to display coordinating dishware and kitchen accessories. – Lori Lewandowski

”



- |                |                 |
|----------------|-----------------|
| 1. SBP8        | 10. WEP42       |
| 2. W3039-GD-MI | 11. BF3         |
| 3. MWEP1239    | 12. B24B[2DF]   |
| 4. ACM8 w/SBP8 | 13. DSB36       |
| 5. LM8         | 14. TKCV8       |
| 6. FS1384      | 15. BWBT18      |
| 7. W3039-GD-MI | 16. BMC30       |
| 8. WF3-42      | 17. MBEP2434[L] |
| 9. SBP8        |                 |

NEW  
BAYVILLE

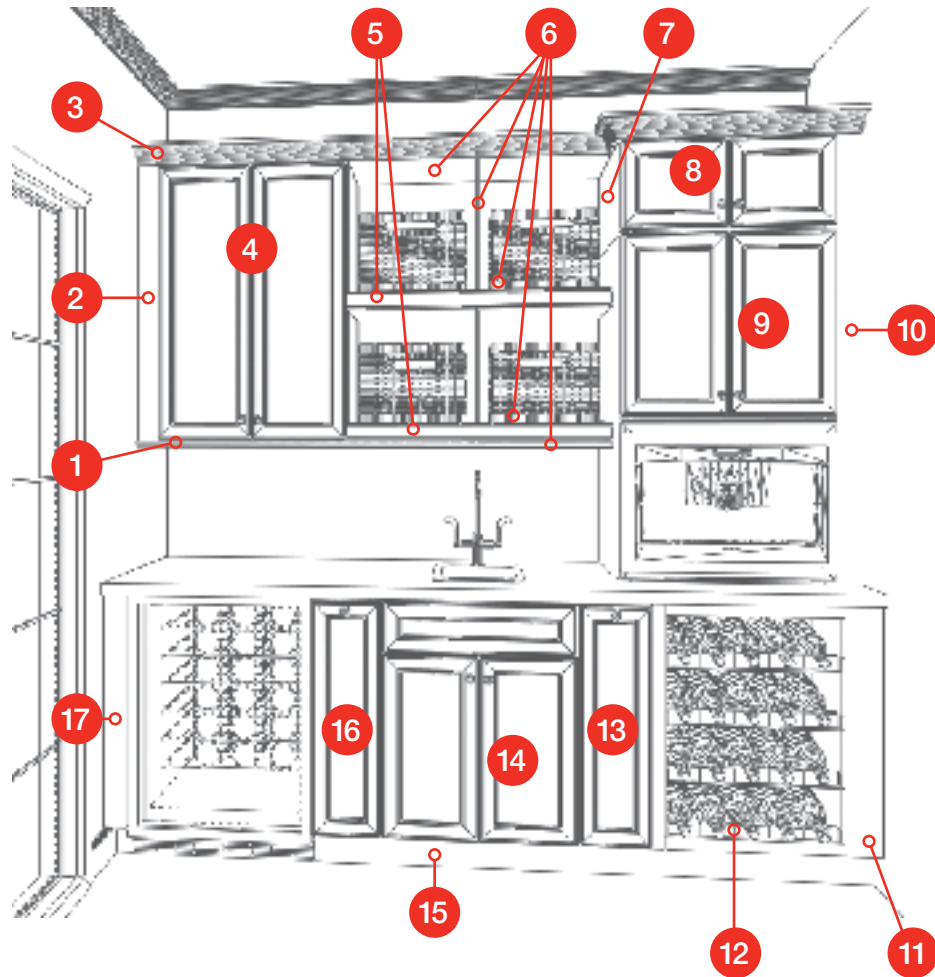


New Door Style: Bayville  
Wood Type: Maple  
New Color: Dusk  
Hardware: Radiant Knob 7164.PN & Empire Pull 7120.PN

“

I developed a morning/coffee bar area for a great way to start the day, but in the evening, it easily transforms into wine/desert bar for relaxation after a long day, or entertaining. – Lori Lewandowski

”



- |                      |                         |
|----------------------|-------------------------|
| 1. SBP8              | 10. TF3-84/OL3-84       |
| 2. WF3-42 w/WFOL3-39 | 11. BF3-30/OL3-30       |
| 3. ACM8 w/SBP8       | 12. WRS2430             |
| 4. W2739B            | 13. BPO9                |
| 5. LM8               | 14. SB24B               |
| 6. FS1384            | 15. TKCV8               |
| 7. TEP84             | 16. BPO9                |
| 8. W2712B-ID18       | 17. BEPF3-34[R] w/BFOL3 |
| 9. WMC2745B          |                         |

NEW  
BAYVILLE



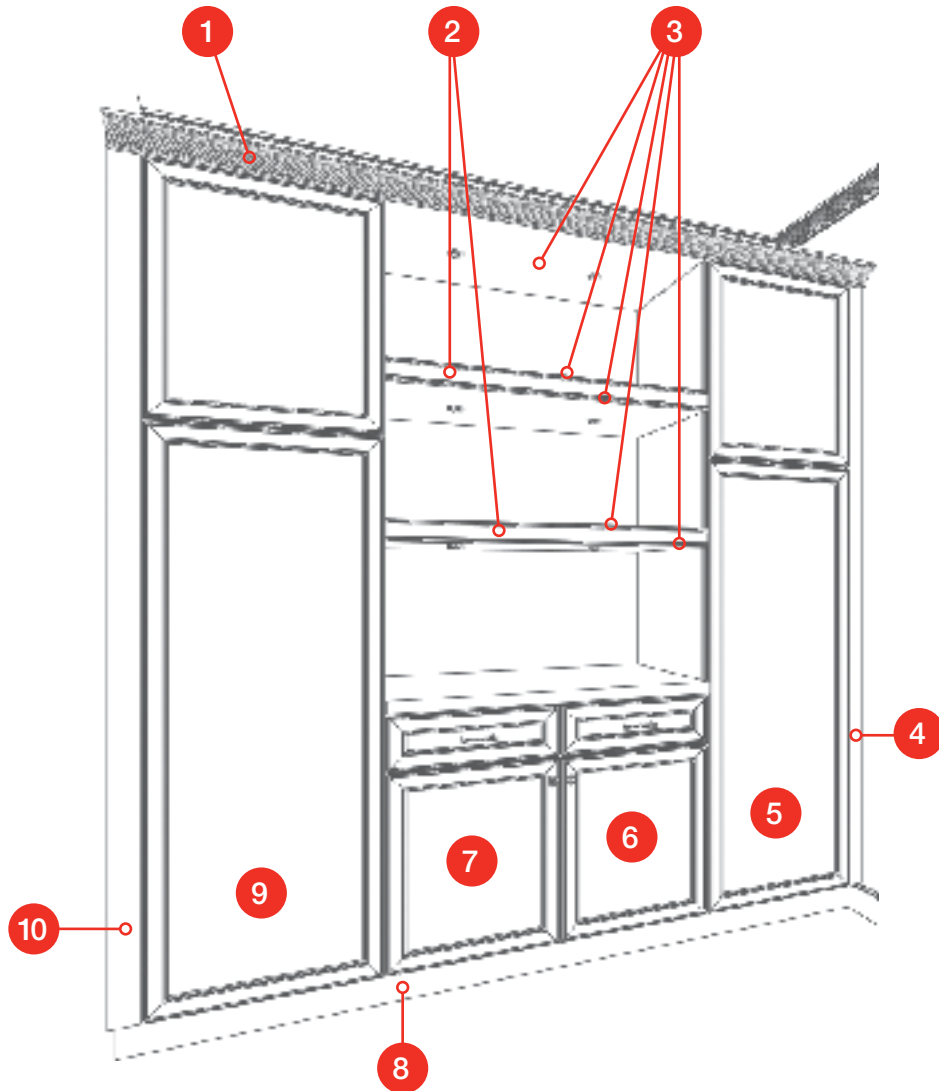
New Door Style: Bayville  
Wood Type: Maple  
New Color: Dusk  
Hardware: Radiant Knob 7164.PN & Empire Pull 7120.PN

“Add lighting to open shelving to highlight and show off collectables.”  
– Lori Lewandowski

“

Here, I created custom shelving by using Merillat® cabinetry parts; furniture shelves and library molding combine with our new 93" tall cabinets for a beautiful result. – Lori Lewandowski

”



- |                                |                                |
|--------------------------------|--------------------------------|
| 1. ACM8 w/SBP8                 | 6. VB2135[R]                   |
| 2. LM8                         | 7. VB2135[L]                   |
| 3. FS2184                      | 8. TKCV8                       |
| 4. TF3-96 w/TFOL3-96           | 9. U249324(L)-RD21-USK2421-3/4 |
| 5. U249324(L)-RD21-USK2421-3/4 | 10. TF3-93/OL3-93              |



## Designer Profile

### Betsy Writer

BA in Interior Design, Adrian College

**Design style** / Transitional / Warm and Natural / Relaxed Living

**I believe** Merillat Cabinetry is getting back to its roots and becoming the brand that designers love to use!

I love listening to the needs of a customer and applying them to the design and helping dreams become a reality.

## Fox Harbor Mudroom: Design Inspiration

**Who** / DIYers / Family Focusers

**Age** / 40-50 years old

**Location** / Hamptons, NY

**Type of architecture** / 4 Bedroom Coastal Beach Home

**Marital/family status** / Married with two children

**Values** / Spending time together as a family, making meals together and traveling.

**Situation/project challenges** / They need a space with efficient storage to accommodate everyone's lifestyles/ activities.

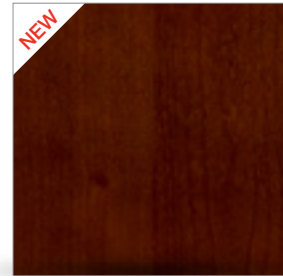




# Material List



**Door Style /**  
Fox Harbor



**Color /**  
Cherry Pecan



**Merillat Masterpiece®**  
**Hardware /**  
Fordham Bin Knob 7165.PN



**Rug /**  
Home Decorators Alexandria II

**Wall Paint** / Behr® Lunch Box M260-4

**Trim Paint** / Behr® White Flour OR-W10

**Flooring** / Crossville Tile Wood Impressions Barnyard Gray

**Lighting** / Ballard Designs Addie Pendants

**Mirror** / Pottery Barn

NEW  
FOX HARBOR

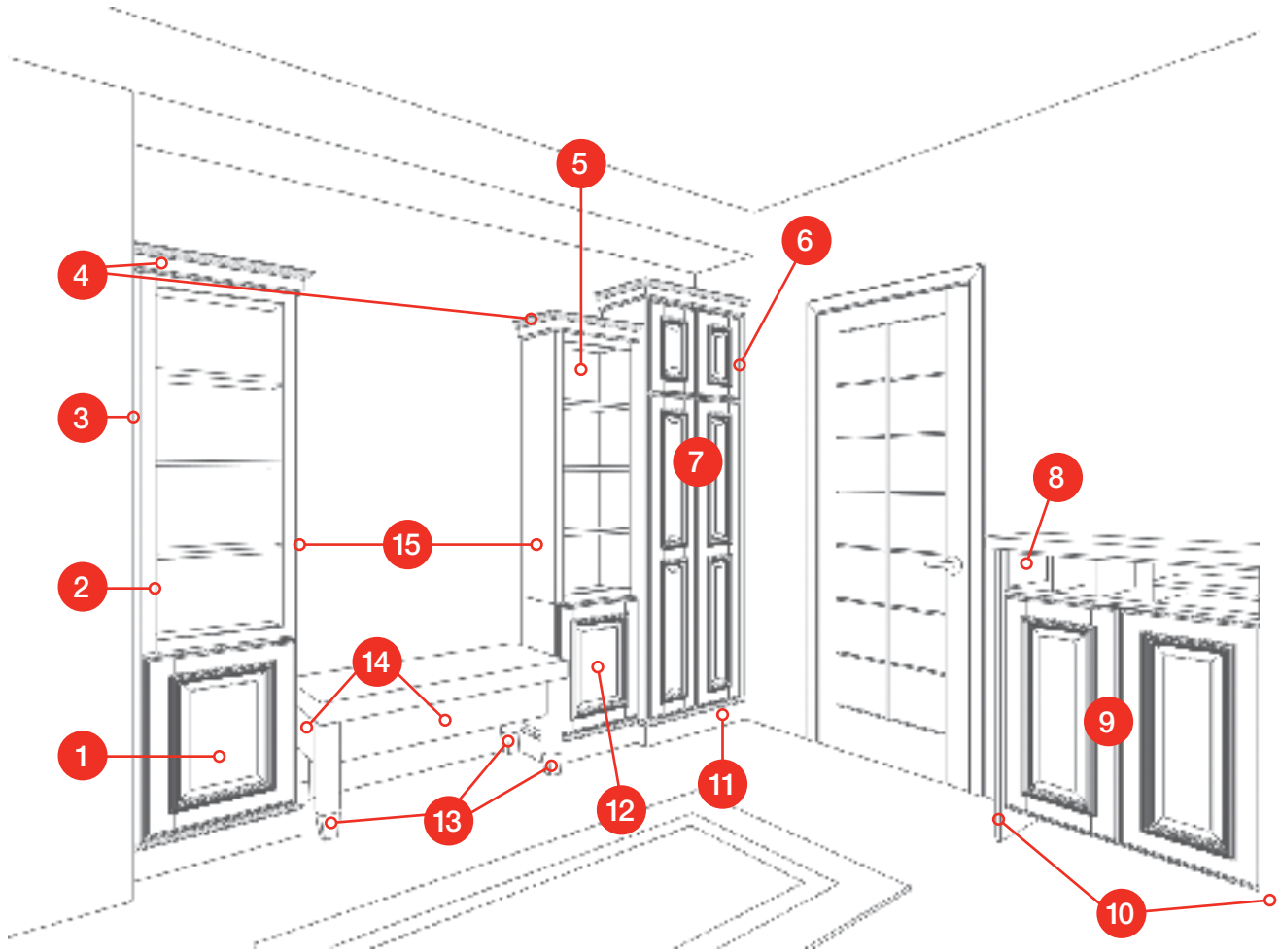


New Door Style: Fox Harbor  
Wood Type: Cherry  
New Color: Pecan  
Hardware: Fordham Bin Knob 7165.PN

“

Merillat® cabinetry's increased depths gave me true flexibility in this space to add design interest, as well as extra storage. – Betsy Writer

”



- |                    |            |
|--------------------|------------|
| 1. W1824L          | 9. W3030B  |
| 2. BK1848          | 10. FS1384 |
| 3. TF3-83 w/OL3-84 | 11. CFB8   |
| 4. STR8 w/SCM8     | 12. W1824R |
| 5. BK1848          | 13. PLB    |
| 6. TF3-84 w/OL3-84 | 14. FS1384 |
| 7. U2484B-ID15     | 15. TEP84  |
| 8. O30             |            |



**DID YOU KNOW?**  
We are always looking for your best designs. Submit your photos to [Merillat.com/iammerillat](http://Merillat.com/iammerillat)

# Cannonsburg/Tolani Kitchen: Design Inspiration

**Who** / Entertaining Foodies

**Age** / 40-50 years old

**Location** / Chicago, IL

**Type of architecture** / 3 Bedroom 2 Story Colonial

**Marital/family status** / Married no children

**Values** / Art / Design trends / Healthy lifestyle

**Situation/project challenges** / This couple has completely different design styles; traditional and contemporary. They would like a space that can incorporate each others' personalities.



A handwritten signature in grey ink, which appears to read "Bob Johnson".

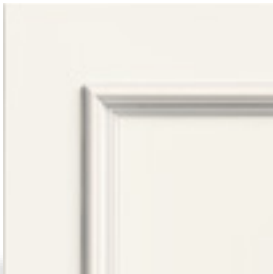
# Material List



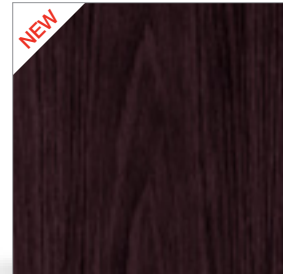
**Door Style /**  
Cannonsburg



**Door Style /**  
Tolani



**Color /**  
Maple Cotton w/ Tuscan Glaze



**Color /**  
Oak Kona



**Merillat Masterpiece®**  
**Hardware /**  
Baluster Pull 7132.SN &  
Knob 7131.SN



**Wall Paint** / Behr® Smokestack N220-3

**Trim Paint** / Behr® Arcade White GR-W8

**Faucet** / Delta® 989-AR-DST Arctic Stainless

**Flooring** / Style Selections Antique Woodland Oak

**Countertop** / Granite Burlywood

**Wall Tile** / Calcutta Bianco Matte

**Lighting** / Capizza Collection Pendant Chandelier

**Stools** / Noho Grey Linen Nailhead Counterstool

NEW

# CANNONSBURG



**New Door Style:** Cannonsburg (island)  
Wood Type: Maple  
Color: Cotton w/ Tuscan Glaze  
Hardware: Baluster Pull 7132.SN

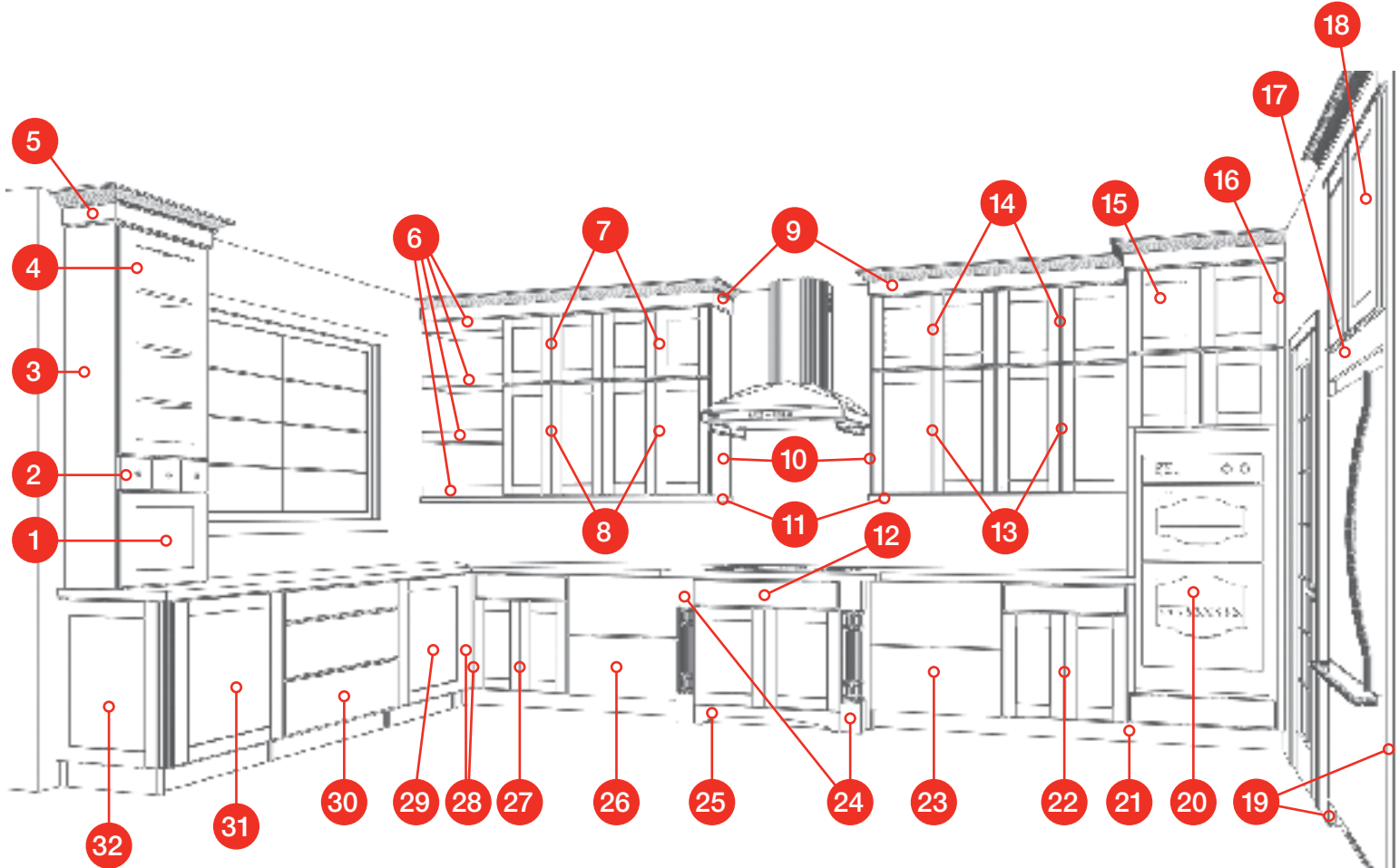
New sku: (23, 26) Base Pots and Pans Storage Drawer  
New sku: (1) Door Storage.  
See island details on page 46.

**New Combination:**  
Door Style: Tolani  
Wood Type: Oak  
Color: Kona  
Hardware: Baluster Pull 7132.SN & Knob 7131.SN

“

A subtle but defining choice: contrasting white backs in the wall cabinets provide a unique look, lightening up the dark cabinets. – Betsy Writer

”



- |                          |                            |                   |
|--------------------------|----------------------------|-------------------|
| 1. DOS18                 | 12. SB36                   | 23. BPPS30-2D     |
| 2. SDO18                 | 13. W3030B                 | 24. WF6-42 RSP5-6 |
| 3. TEP84                 | 14. W3018B-GD-MI w/PB4896  | 25. V36SH         |
| 4. W1842L-GD-MI w/PB4896 | 15. WR3018B-GD-MI w/PB4896 | 26. BPPS30-2D     |
| 5. LSTR8 w/CTC8          | 16. TF3-84 OL3-84          | 27. B27B[2DF]     |
| 6. TF3-96 w/[2]FS3013    | 17. V48T                   | 28. BF3-30 OL3-30 |
| 7. W3018B-GD-MI w/PB4896 | 18. WR3627                 | 29. B24FH[RFDS]   |
| 8. W3030B                | 19. SWS8                   | 30. BD33-3D       |
| 9. LSTR8 w/CTC8          | 20. OCU3084B               | 31. B24FH[LFDS]   |
| 10. PB4896               | 21. TKCV8                  | 32. MBEP2434      |
| 11. TF3-96               | 22. B27B[2DF]              |                   |



## Designer Profile

**Nellie Ondrovick** / Allied ASID  
BFA Interior Design, Adrian College

**Design style** / Relaxed Rustic / Modern

**I believe** that a great design starts with more than just great door styles and colors. It begins with listening to people's needs and finding a solution that is truly theirs.

I love being creative! Helping to inspire others by finding beautiful solutions to fit their needs is very rewarding.

### DID YOU KNOW?

We constantly listen to designers for ideas and feedback through our Design Advisory Council and other initiatives.

## Glen Arbor Entertainment Room: Design Inspiration

**Who** / Gen Y - Décor Diva

**Age** / 20-30 yrs. old

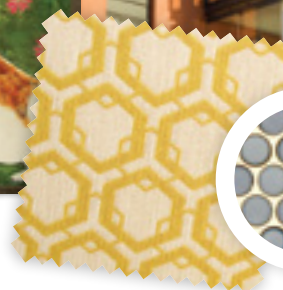
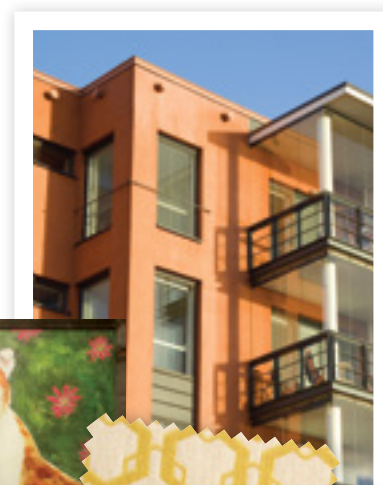
**Location** / Los Angeles, CA

**Type of architecture** / 2 Bedroom Condo

**Marital/family status** / Single no children

**Values** / Creativity / Relationships / Entertaining

**Situation/project challenges** / There seems to be limited space in her condo. She would like a space where she can display her artwork, thrift store finds and hang out with her girlfriends.





# Material List



**Door Style /**  
Glen Arbor



**Color /**  
Maple Dusk



**Merillat Masterpiece®  
Hardware /**  
Tailored Knob 7017.PN



**Wall Covering /**  
Candice Olson Grasscloth

**Ceiling Paint /** Behr® Wishful Green M410-2

**Trim Paint /** Behr® Ultra Pure White

**Faucet /** Brizo Tresa Two Handle Wall Mounted 65836LF-BN

**Flooring /** Solid Hardwood Natural Maple

**Countertop /** Solid Surface 102 Arctic White

**Wall Tile /** Blue Penny Rounds

**Lighting /** Lamps Plus Round Glass Chain Chandelier

**Rugs /** Home Decorators Area Rugs Jungle

**Furniture /** Mitchell Gold

NEW  
GLEN ARBOR



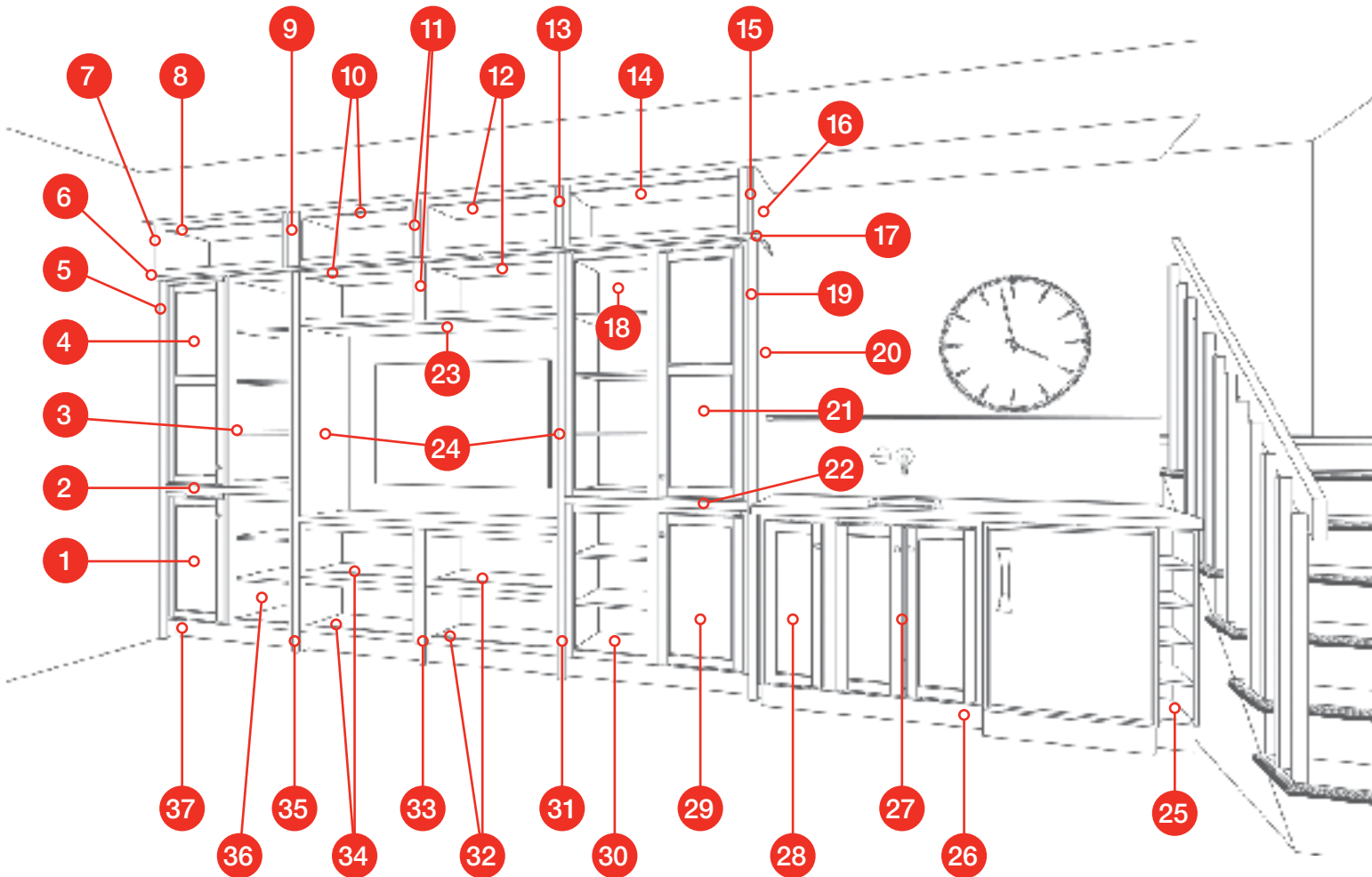
New Door Style: Glen Arbor  
Wood Type: Maple  
New Color: Dusk  
Hardware: Tailored Knob 7017.PN

New skus: (3, 8, 10, 12, 14, 18, 30, 32, 34, 36)  
Increased Depth.

“

I used increased depth cabinets to add subtle separation between the entertainment area and the wet bar. – Nellie Ondrovick

”



- |                 |                 |                 |
|-----------------|-----------------|-----------------|
| 1. B1812FH[L]   | 14. BK3612-ID15 | 27. SB24BFH     |
| 2. SWS8         | 15. WF3-30      | 28. B12FH[L2DT] |
| 3. BK1848-ID18  | 16. PB4834      | 29. B1812FH[R]  |
| 4. VLC1848[L]   | 17. FS2184      | 30. BK1830-ID18 |
| 5. TEPF1-84     | 18. BK1848-ID18 | 31. TEPF1-84    |
| 6. FS2184       | 19. TEPF1-84    | 32. BK3012-ID15 |
| 7. WF3-30       | 20. TEP84       | 33. TEPF1-84    |
| 8. BK3612-ID15  | 21. VLC1848[R]  | 34. BK3012-ID15 |
| 9. WF3-30       | 22. SWS8        | 35. TEPF1-84    |
| 10. BK3012-ID15 | 23. FS2184      | 36. BK1830-ID18 |
| 11. WF3-30      | 24. TEP84       | 37. TKCV8       |
| 12. BK3012-ID15 | 25. OCO30       |                 |
| 13. WF3-30      | 26. TKCV8       |                 |



**DID YOU KNOW?**  
Merillat.com has space planning tools for homeowners, and inspiration for designers.

## Tolani Kitchen: Design Inspiration

**Who** / Gen X - First Time Homebuyers

**Age** / 30-40 years old

**Location** / Oklahoma City, OK

**Type of architecture** / 3 Bedroom Bi-level

**Marital/family status** / Newlyweds no children

**Values** / Outdoor activities / Cooking / Comfort

**Situation/project challenges** / The existing space didn't suit their needs. They would like to remodel the kitchen to accommodate their daily activities and have an open floor plan.

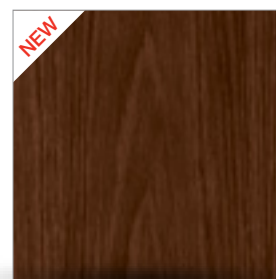


*Nellie Ondaumbe*

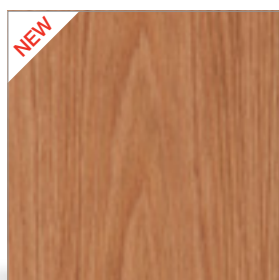
# Material List



**Door Style /**  
Tolani



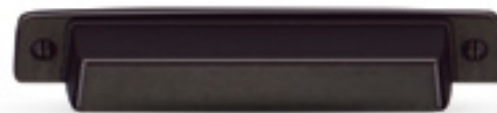
**Color /**  
Oak Pecan



**Color /**  
Oak Amaretto



**Merillat Masterpiece®**  
**Hardware /**  
Fordham Bin Knob 7165.STB  
Fordham Bin Pull 7166.STB



**Wall/Trim Paint** / Behr® Off White 73

**Faucet** / Delta® Pilar 4380T-AR-DST

**Flooring** / Porcelain Tile Canyon Olive

**Countertop** / Quartz Natural Almond & Quartz Oak Hampton

**Wall Tile** / Alyse Edwards AEC Haubel 58 Brown Eyes Blue

**Lighting** / Kathy Kuo Home Industrial Architectural Chandelier & Pottery Barn Wall Sconce

**Stools** / Restoration Hardware 1950's Tractor Stool

**Furniture** / World Market Garner Extension Table & Jackson Metal Tub Chair

NEW (now available in oak)

# TOLANI

See island details on page 50.



**New Combination:**

Door Style: Tolani

Wood Type: Oak

**New Colors:** Amaretto and Pecan

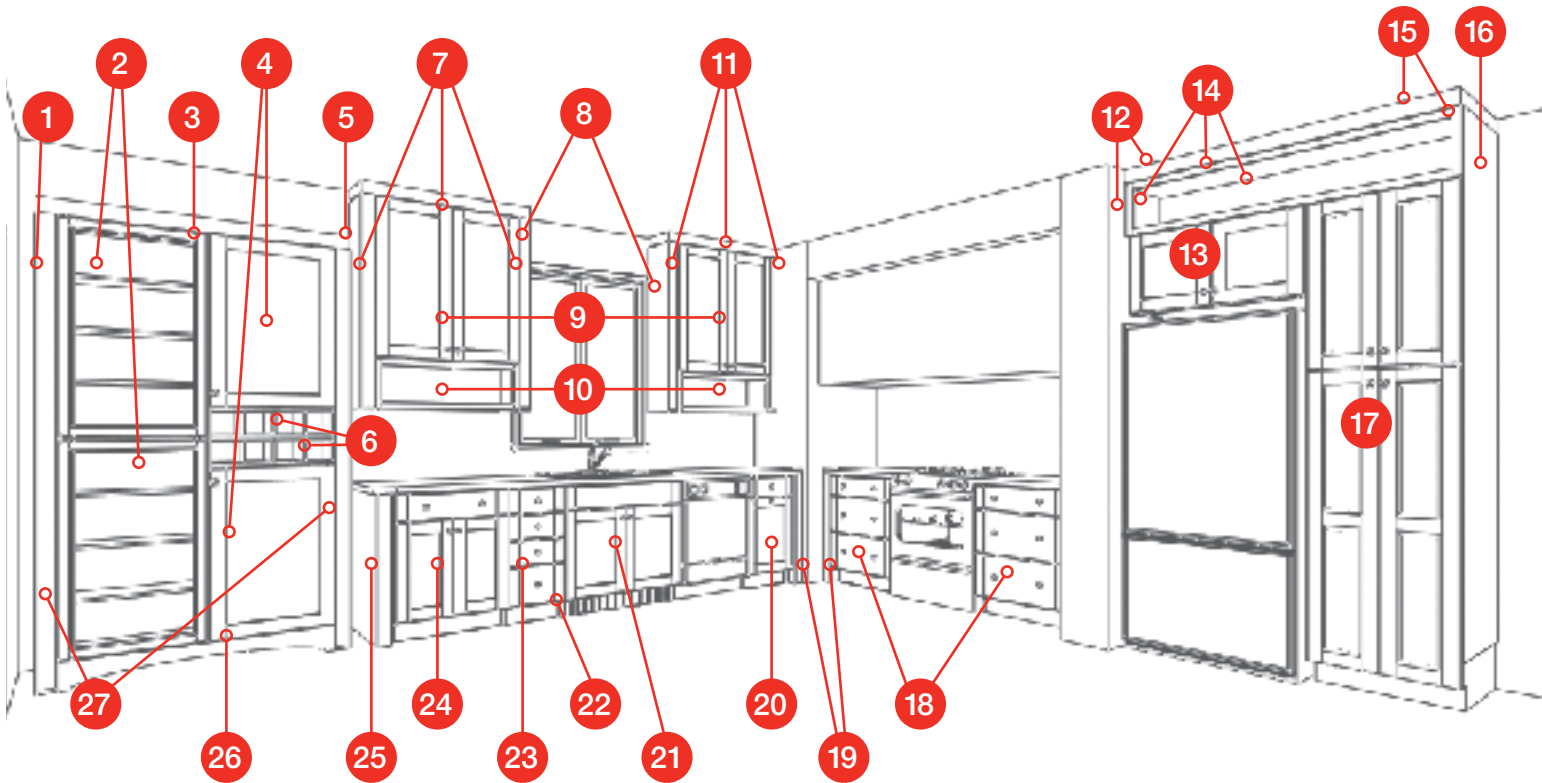
Hardware: Fordham Bin Knob 7165.STB and Bin Pull 7166.STB

“Use filler and panels around the wall cabinets to create an inset look.”  
– Nellie Ondrovick

“

Here, I combined several new products: base columns, 39" high wall cabinets, a 108" tall panel, and a 24" butt door pantry cabinet. Combined with molding, it allowed me to take the cabinets to the ceiling for a complete and custom/faux inset look. I also used re-purposed barn wood from the homeowner and our hood kit to create a custom designed range hood. – Nellie Ondrovick

”



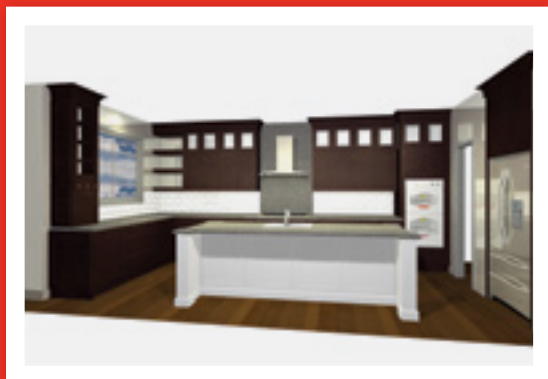
1. SWS8
2. W2442L-GD-MI-ID21
3. SWS8
4. W2436R-ID21
5. SWS8
6. OCO24
7. SWS8
8. TEP84
9. W3639
10. BK3612

11. SWS8
12. SWS8
13. WR3618
14. REP3296
15. SWS8
16. TEP108
17. U249324B
18. BD27-3D
19. BC3-1534
20. BWBT18

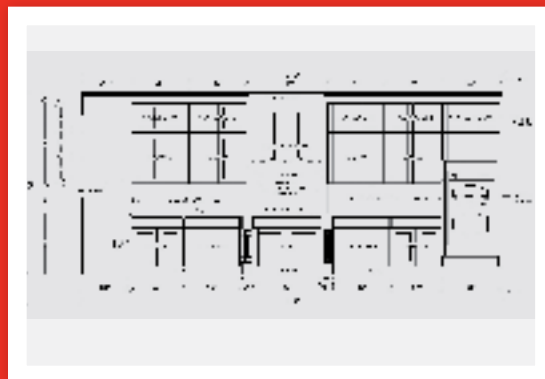
21. SB36BUT-CG
22. TKCV8
23. BD15-4D
24. B27B[2DF]
25. BC3-2734
26. V48SH
27. SWS8

# We're here to help.

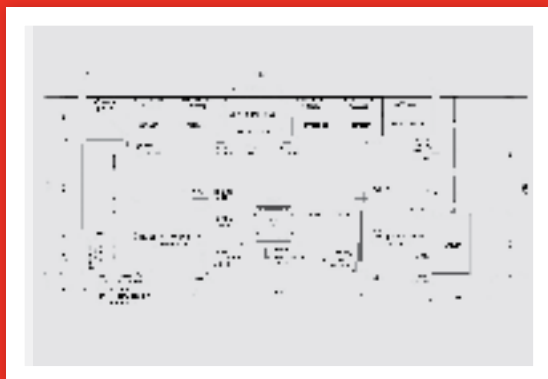
In addition to all of our new products and designs, we're giving you additional details for some of our most popular layouts. Along with the details found here, you can find even more information online at [MerillatBusiness.com](http://MerillatBusiness.com). Take a look, get inspired, and go design.



20-20 3d rendering view.



20-20 elevation views.



Top views with dimensions and SKU list.



Detail views.

## Download all 20-20 set designs and plans shown in this book.

Visit [MerillatBusiness.com](http://MerillatBusiness.com).





**Doug Year**  
Sunderland Brothers Co.

# BELLINGHAM

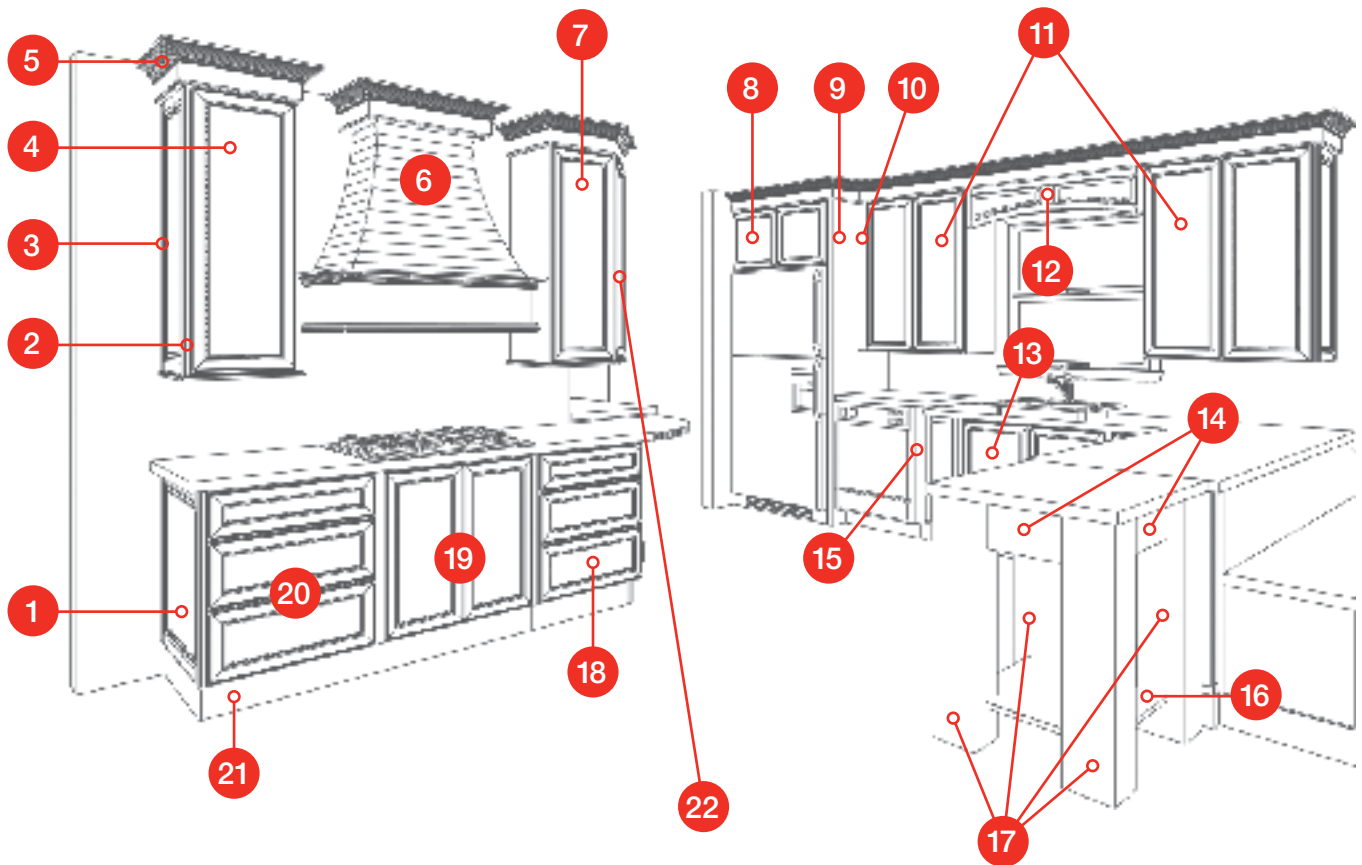


Door Style: Bellingham  
Wood Type: Maple  
Color: Cotton  
Hardware: Bright Chrome Pull HP 163

“

The island is created using a custom butcher block top combined with Merillat® cabinetry pieces and parts. Simple, but elegant and room defining. In addition, 5 1/2" high toe kicks used here are a part of our Universal Design offering, giving even more options for the homeowners. – Lori Lewandowski

”



- 1. ANDO2424
- 2. UCM8
- 3. ANDO1242
- 4. W1542[L]
- 5. CTC8/CFB/STR8
- 6. WHCV362442
- 7. W1542[R]
- 8. WR3618

- 9. TEPF1-96[R]
- 10. WF3-42
- 11. W3042B
- 12. V42RP
- 13. UB9FH[L]
- 14. SWS8
- 15. BEPF3
- 16. FS3021 W/WSM8

- 17. PSP6-34
- 18. UBD24-3D
- 19. USFCK30FH
- 20. UBD24-3D
- 21. TKCUV8
- 22. WCA1242(R)

# LABELLE

See island details on page 56.

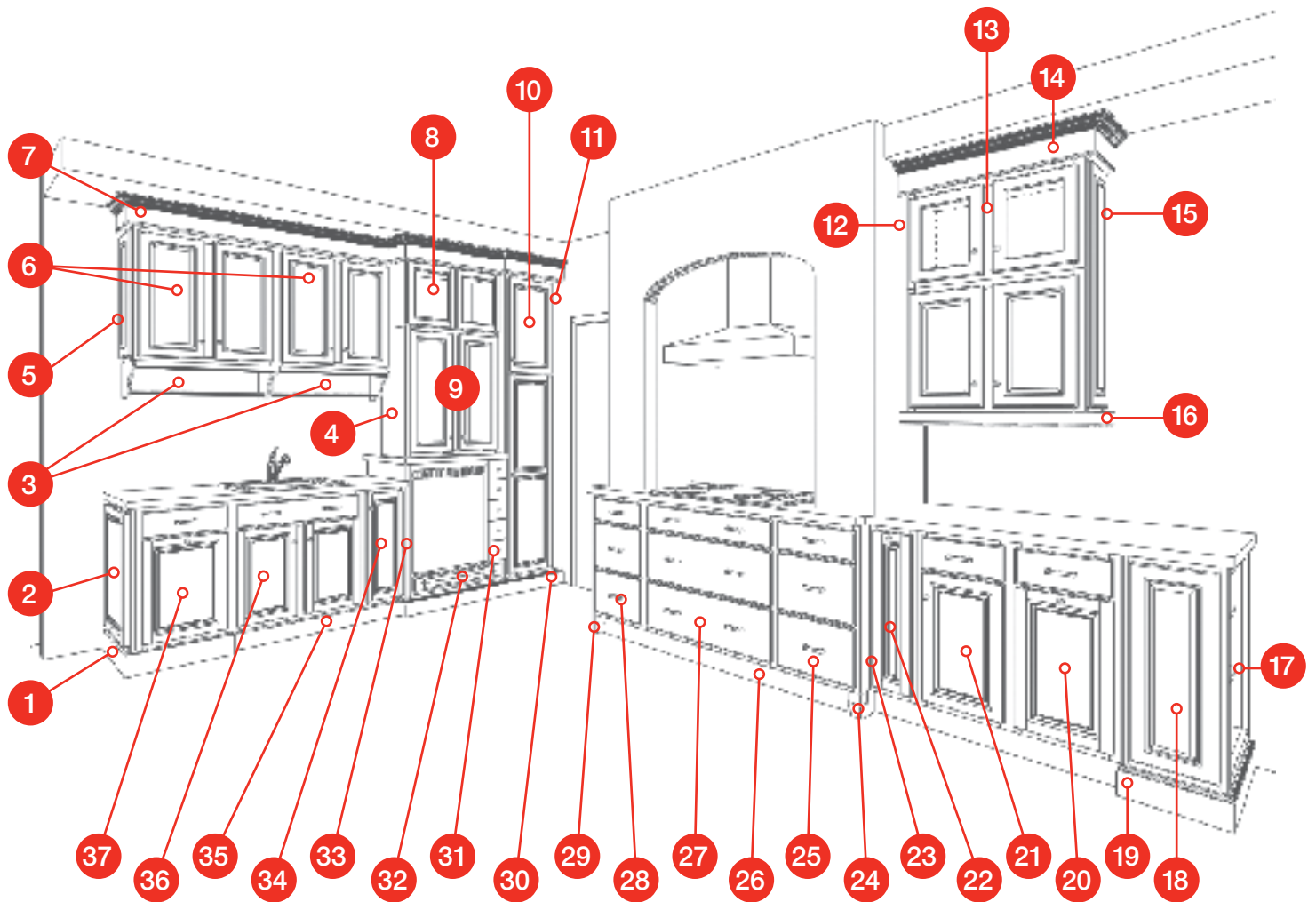


Door Style: LaBelle  
Wood Type: Maple  
Color: Toffee with Java Glaze  
Hardware: Oil Rubbed Bronze Pull HP156 & Knob HK157

“

Multiple work stations/dual sinks can be helpful if there are several family members in the kitchen at once. They can work independently in one space.  
– Nellie Ondrovick

”



- |                     |                 |                    |
|---------------------|-----------------|--------------------|
| 1. CFB8             | 14. W3018-GD-MI | 27. BD36-3D-PDDO36 |
| 2. MBEP2434[L]      | 15. MWEP1242[R] | 28. BD18-3D-DOKN   |
| 3. UCS36            | 16. CTD8        | 29. PFT            |
| 4. TEP84            | 17. BK2430      | 30. CFB8           |
| 5. MWEP1230[L]      | 18. MWEP1230[L] | 31. SDO30          |
| 6. W3030B           | 19. CFB8        | 32. RDF30DKD       |
| 7. CM8 w/LSTR8      | 20. BWBT15      | 33. TEPF1-84[L]    |
| 8. W3018-ID18-GD-MI | 21. B15[R2DT]   | 34. B12FH[RFDS]    |
| 9. W3036-ID15       | 22. BPO9        | 35. TKCV8          |
| 10. U189624[R]      | 23. BEP         | 36. SB30UT         |
| 11. TF3-96          | 24. PFT         | 37. BWBT18         |
| 12. WF3-42          | 25. BD18-3D-DPK |                    |
| 13. CM8 w/LSTR8     | 26. CFB8        |                    |

# FUSION

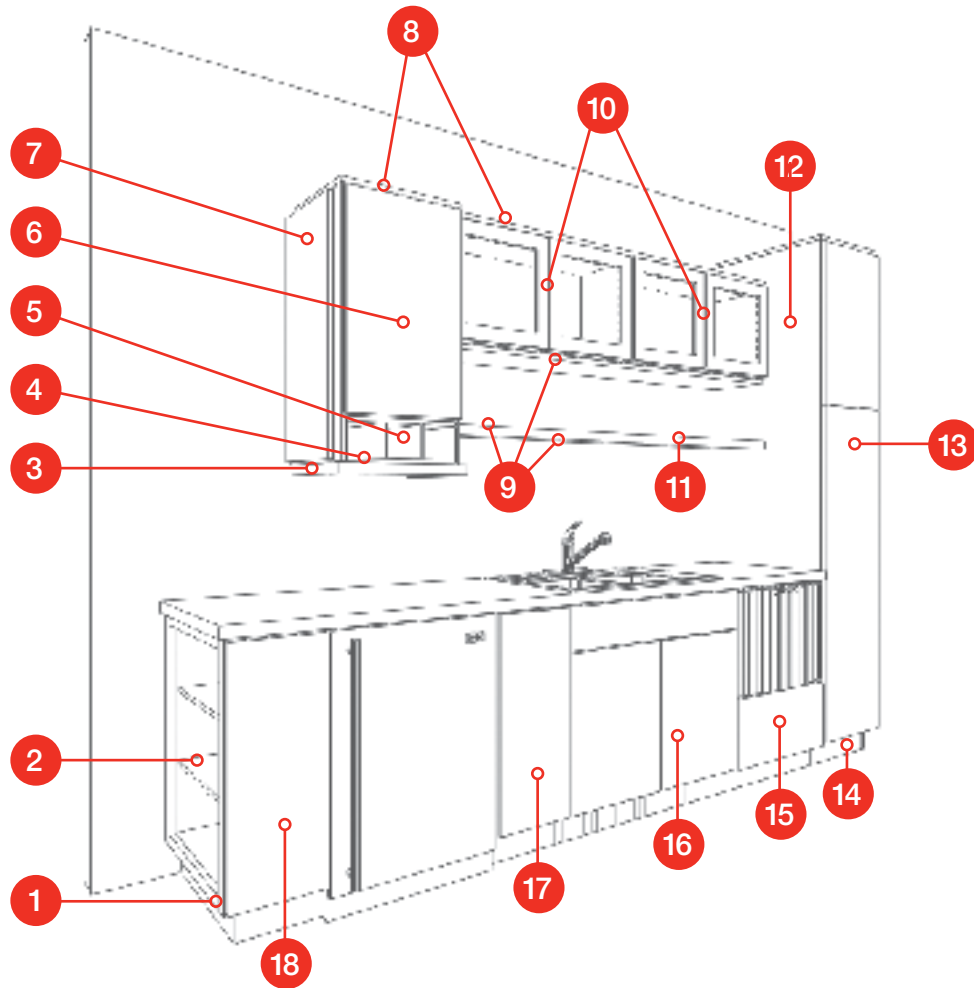


Door Style: Fusion  
Wood Type: Maple  
Color: Natural  
Merillat Masterpiece® Hardware: Round Bar Pull AL3036

“

This is a great example of how to design for a small space without compromising on style or function. We also made a shelf out of a Merillat® stock product. – Lori Lewandowski

”



- |                       |                         |
|-----------------------|-------------------------|
| 1. TKCV8              | 10. W3618-GD-MI         |
| 2. BK2430             | 11. SWS8                |
| 3. SWS8               | 12. TEP96               |
| 4. SGH30              | 13. U189624[R]-USK1824  |
| 5. OCO18              | 14. TKCV8               |
| 6. W1830[L]-ID15      | 15. BD24-3D             |
| 7. ANDO1536 w/WEP1542 | 16. SB36BUT-CG          |
| 8. SWS8               | 17. B12FH[RHDS]-WTDRO12 |
| 9. TEP84              | 18. MWEP1230            |

# TOLANI



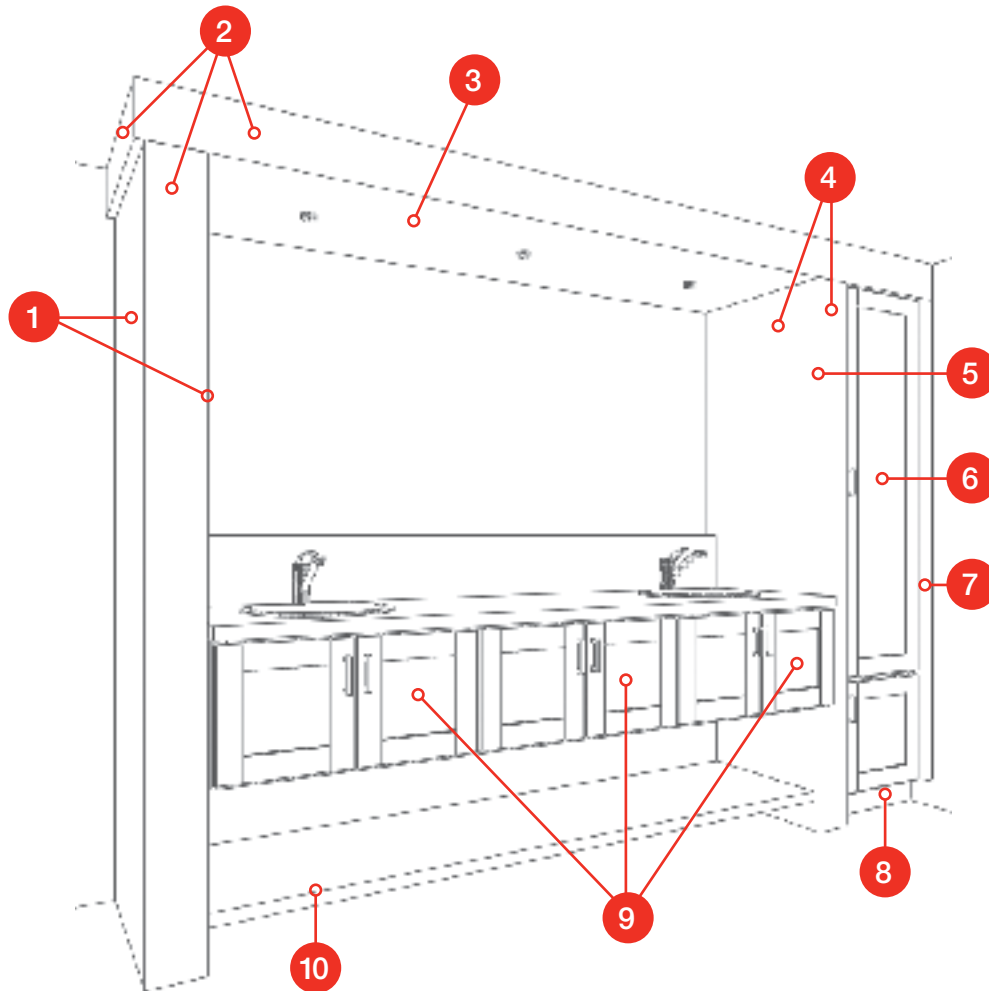
Door Style: Tolani  
Wood Type: Maple  
Color: Toffee  
Hardware: Satin Nickel Pull HP135



“

Feel free to experiment with products. Here, a Vanity Linen Cabinet (#6) was installed upside down in order to create a unique storage solution.  
 – Nellie Ondrovick

”



- |           |                 |
|-----------|-----------------|
| 1. PB4896 | 6. U188424[R]   |
| 2. SWS8   | 7. TF3-84       |
| 3. PB9648 | 8. SWS8         |
| 4. PB4896 | 9. WR3015       |
| 5. SWS8   | 10. TEPF1-96[L] |

# SPRING VALLEY



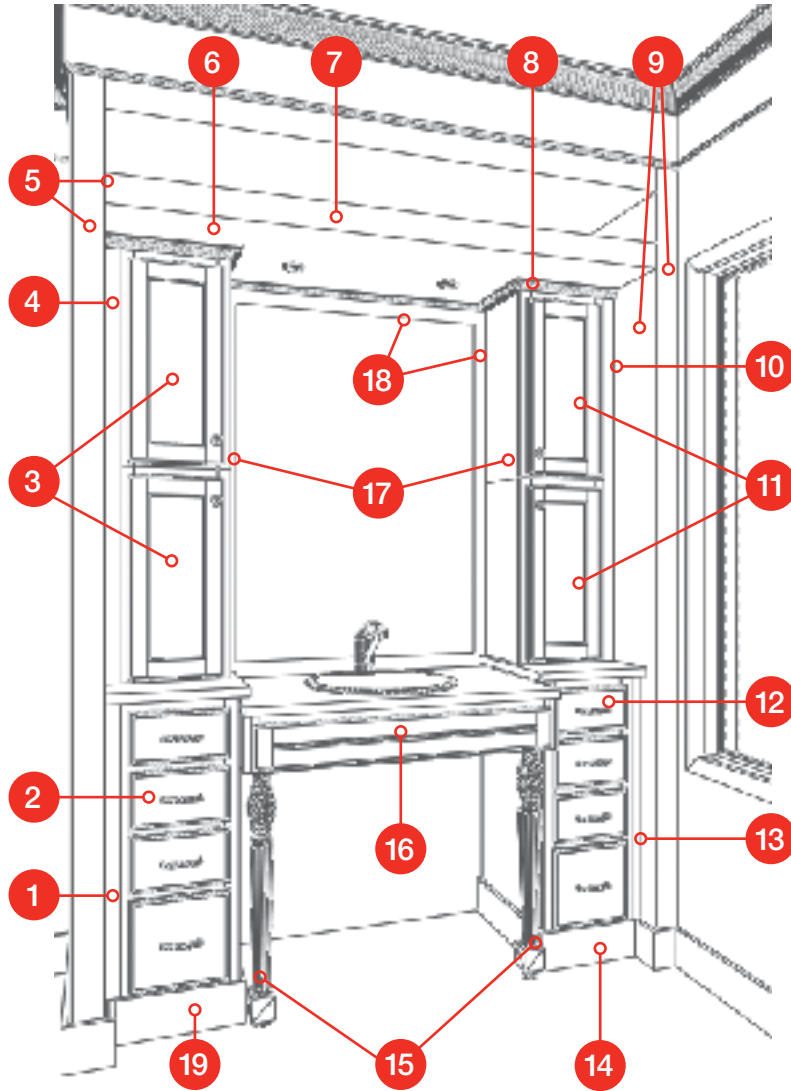
Door Style: Spring Valley  
Wood Type: Maple  
Color: Chiffon with Tuscan Accent  
Hardware: Satin Nickel Pull HP164

***DID YOU KNOW?***  
Our Classic™ product line  
comes with a 25 year  
limited warranty.

“

The Windmere Accent collection gave me the tools to create a vanity with a furniture look and wide-open feel. – Nellie Ondrovick

”



- |                |                   |
|----------------|-------------------|
| 1. BF3         | 11. W1224[R]      |
| 2. VD123518-4D | 12. VD123518-4D   |
| 3. W1224[L]    | 13. BF3           |
| 4. TF3-96      | 14. TFB8          |
| 5. REP3296     | 15. WDLB          |
| 6. REP3296     | 16. SWS8 RDF36DKD |
| 7. TF3-96      | 17. TEP96         |
| 8. CM8         | 18. TFB8          |
| 9. REP3296     | 19. TFB8          |
| 10. TF3-96     |                   |

# SOMERTON HILL



Door Style: Somerton Hill  
Wood Type: Cherry  
Color: Amaretto  
Hardware: Oil Rubbed Bronze Pull HP156 & Venetian Knob HK162

Installation tip: (22) UCS under cabinet shelf used upside down to create a unique storage solution.

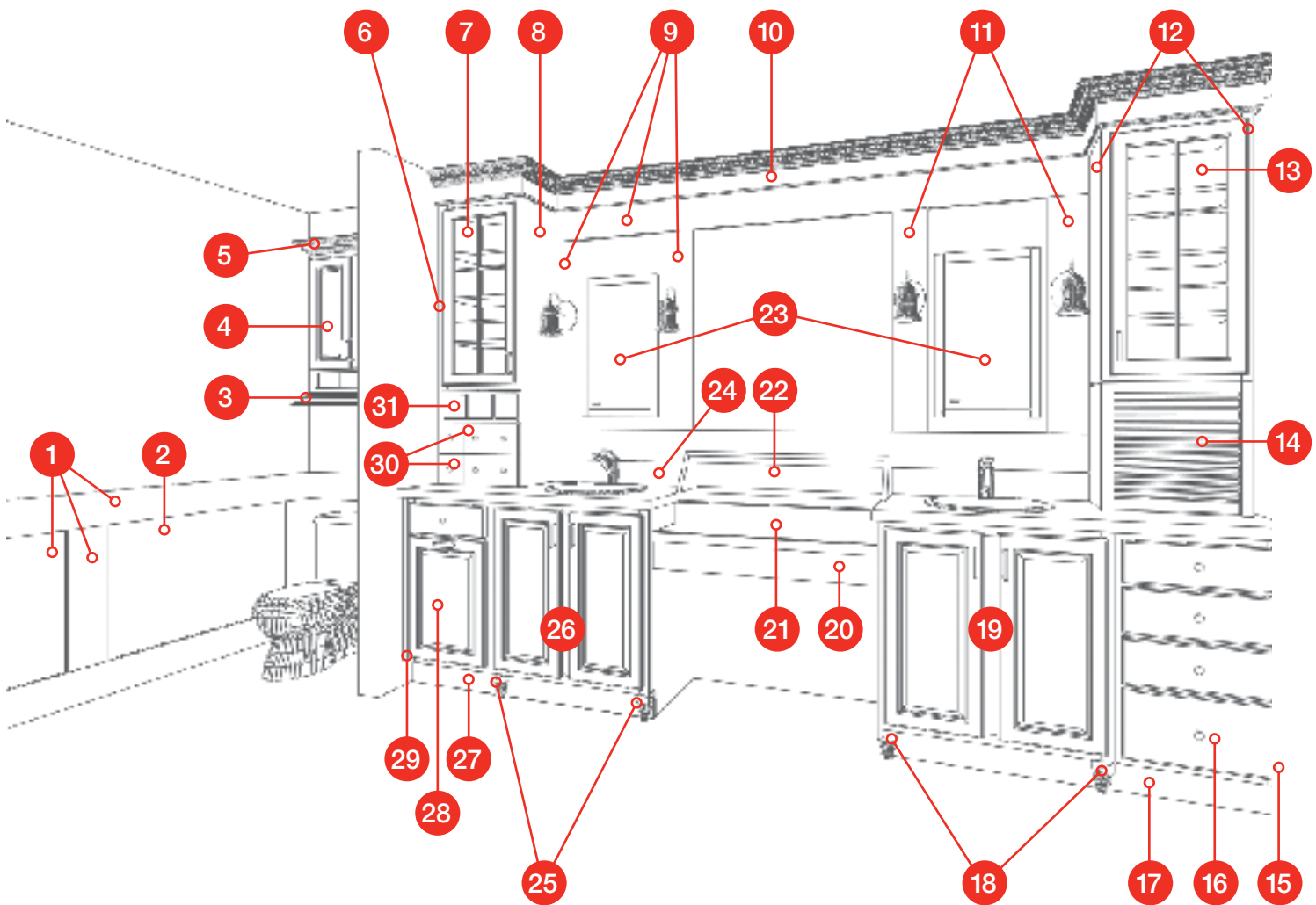
Create a tall crown stack and take it all the way to the ceiling by using three pieces of Merillat® product.

“

We used solid stock on the wall and around the mirrors to make a more built-in look. It's a simple solution that creates a world of difference.

– Lori Lewandowski

”



1. SWS8
2. PB9648
3. UCM8
4. VWB2430
5. CCM8
6. TF3-84
7. W1836[L]-MG-MI
8. TEP84
9. SWS8
10. SCM8, CTD8, LSTR8
11. SWS8

12. TEP84
13. W1836[R]-MG-MI
14. AGTS18
15. BEP
16. VD1835-4D
17. TKCV8
18. TFT
19. VB3035FH
20. SWS4
21. LSTR8
22. UCS36

23. MC1627
24. SWS8
25. TFT
26. VB3035FH
27. TKCV8
28. VB1835[L]-VHRO18
29. BF3
30. SDO18
31. PHO18

# Islands.

NEW

# CANNONSBURG

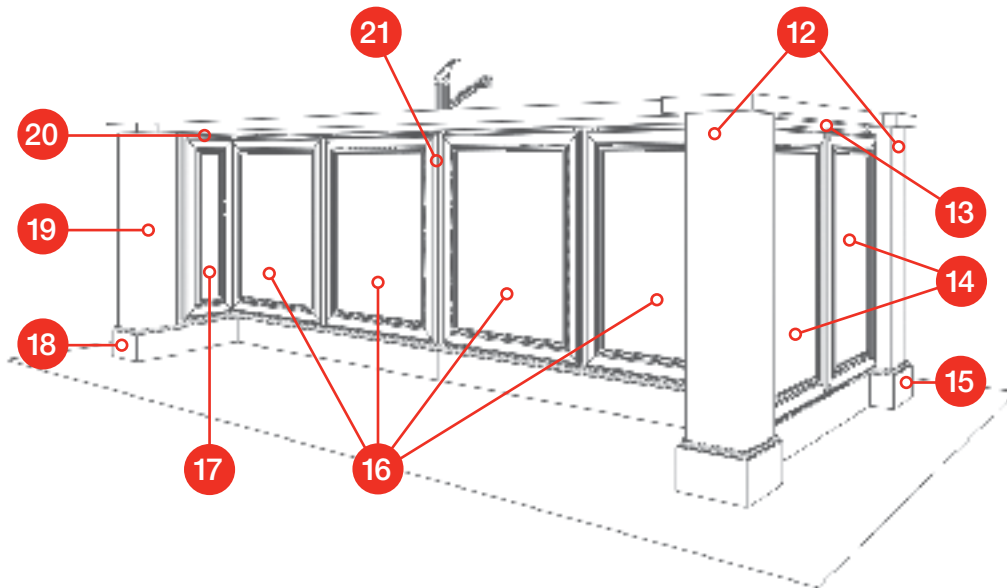
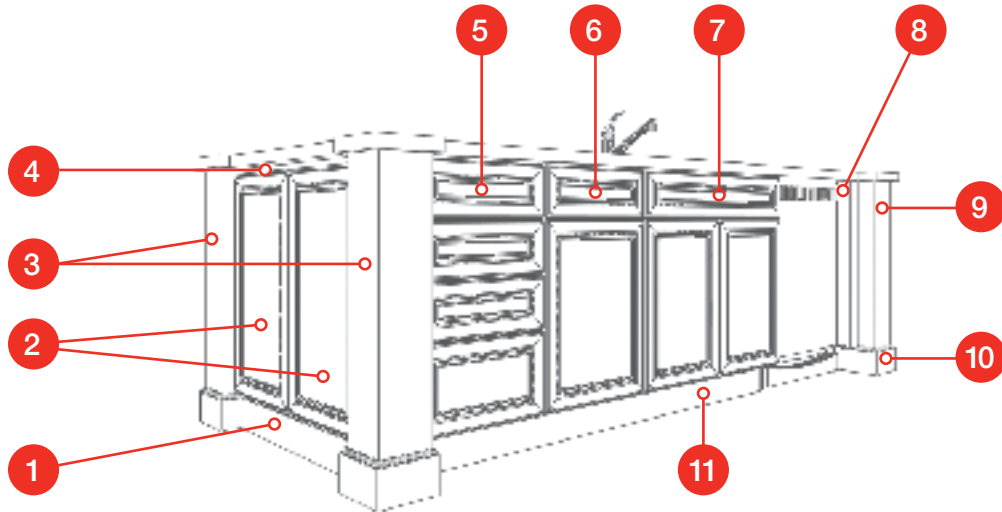


New Door Style: Cannonsburg  
Wood Type: Maple  
Color: Cotton w/ Tuscan Glaze  
Hardware: Baluster Pull 7132.SN

“

The small, simple touch of adding base board to the island gave it a stunning furniture look. – Betsy Writer

”



- |                    |              |
|--------------------|--------------|
| 1. CFB8            | 12. PSP6-34  |
| 2. ANDO3330        | 13. PB4834   |
| 3. PSP6-34         | 14. ANDO3330 |
| 4. PB4834          | 15. CFB8     |
| 5. BD18-4D         | 16. ANDO2430 |
| 6. BWBT18          | 17. ANDO930  |
| 7. SB33            | 18. CFB8     |
| 8. BEPF3-34 OL3-30 | 19. PSP6-34  |
| 9. PSP6-34         | 20. PB4834   |
| 10. CFB8           | 21. PB9648   |
| 11. TKCV8          |              |

NEW  
BAYVILLE



**DID YOU KNOW?**  
You can follow Merillat®  
cabinetry on Facebook for  
plenty of great ideas and  
consumer feedback.



New Door Style: Bayville  
Wood Type: Maple  
New Color: Dusk  
Hardware: Radiant Knob 7164.PN & Empire Pull 7120.PN

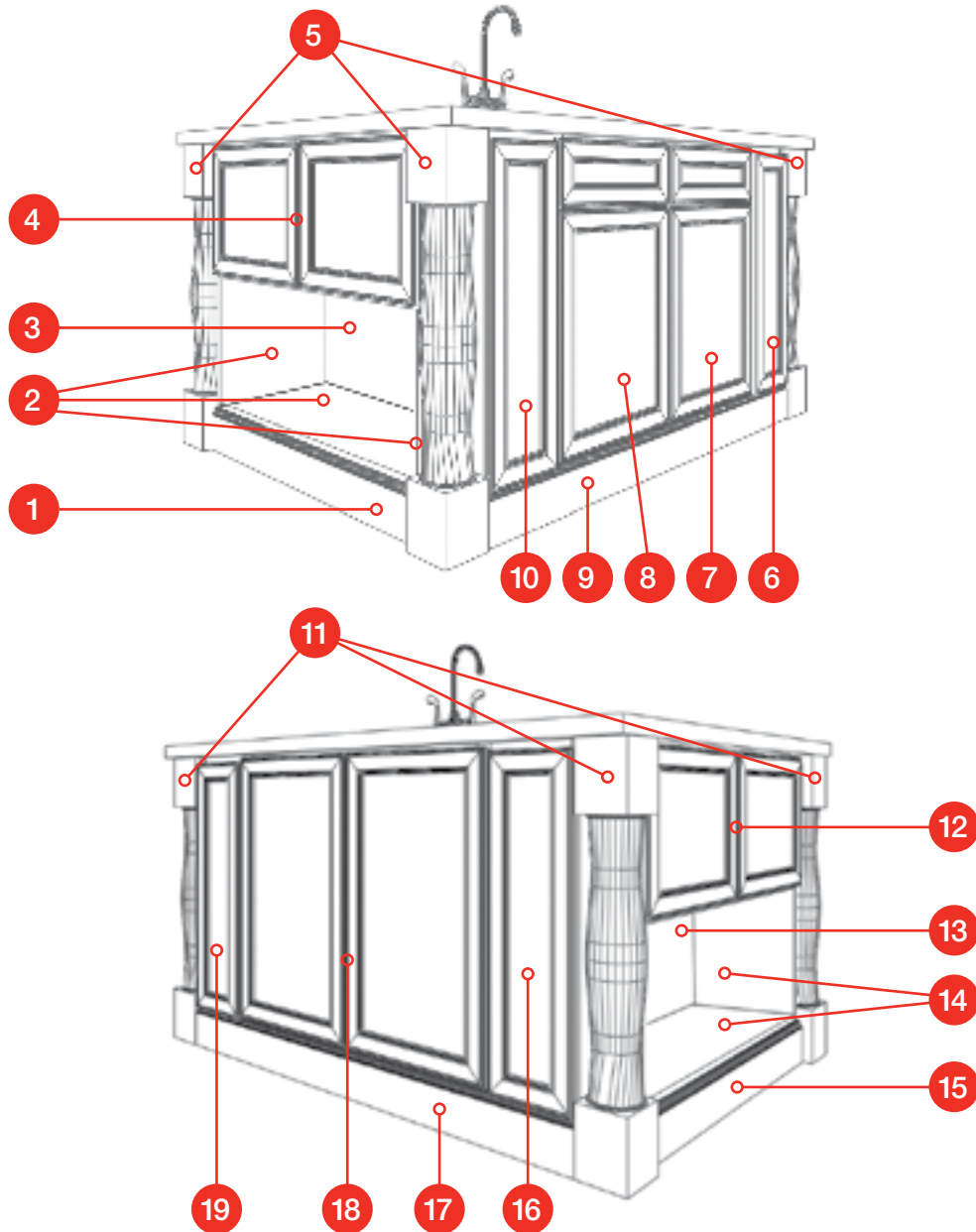


“

Here, we used a wall cabinet and a furniture shelf to create an open bottom to display collectables, cookbooks, and personality-defining elements.

– Lori Lewandowski

”



- |                            |                            |
|----------------------------|----------------------------|
| 1. TFB8                    | 11. SP536                  |
| 2. WFS1384                 | 12. W3615                  |
| 3. PB4834                  | 13. PB4834                 |
| 4. W3615                   | 14. WFS1384                |
| 5. SP536                   | 15. TFB8                   |
| 6. WEP42 BEPF6-34 ANDO930  | 16. WEP42 BEPF6-34 ANDO930 |
| 7. B18[RHDS]               | 17. TFB8                   |
| 8. SB18[L]                 | 18. VB363518FH             |
| 9. TFB8                    | 19. WEP42 BEPF6-34 ANDO930 |
| 10. WEP42 BEPF6-34 ANDO930 |                            |

NEW (now available in oak)

# TOLANI



Door Style: Tolani

New Wood Type: Oak

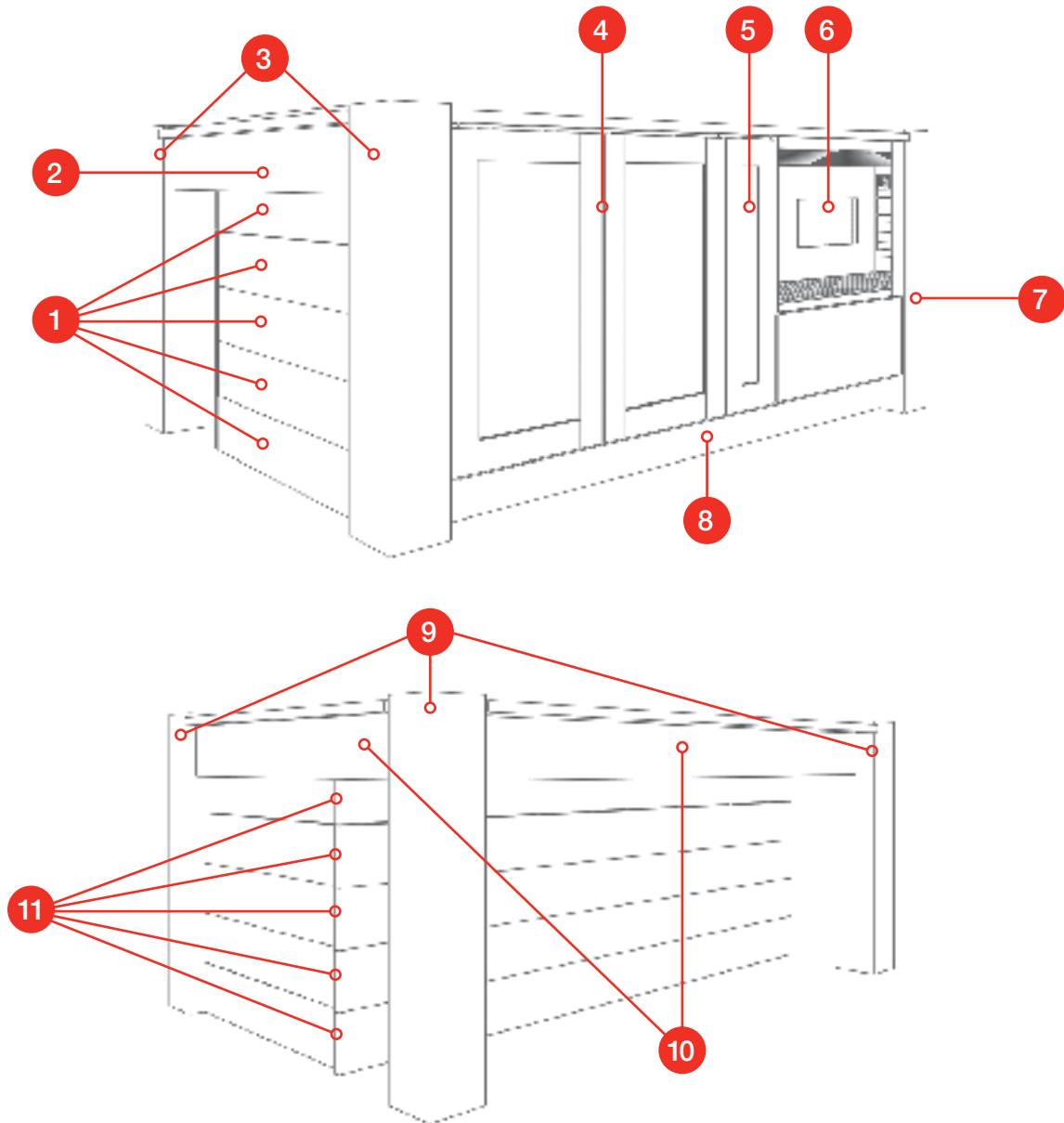
New Colors: Amaretto and Pecan

Hardware: Fordham Bin Knob 7165.STB and Bin Pull 7166.STB

“

Using a Base Microwave Cabinet in this island allows easier access, and enables everyone to pull food out of the microwave and up to the countertop. Plus, apply solid stock material horizontally to an island for a unique design feature. – Nellie Ondrovick

”



- |               |            |
|---------------|------------|
| 1. SWS8       | 9. PSP6-36 |
| 2. SWS8       | 10. SWS8   |
| 3. PSP6-36    | 11. SWS8   |
| 4. B36FH[2ST] |            |
| 5. BPO9       |            |
| 6. BMC27      |            |
| 7. PSP6-36    |            |
| 8. TKCV8      |            |

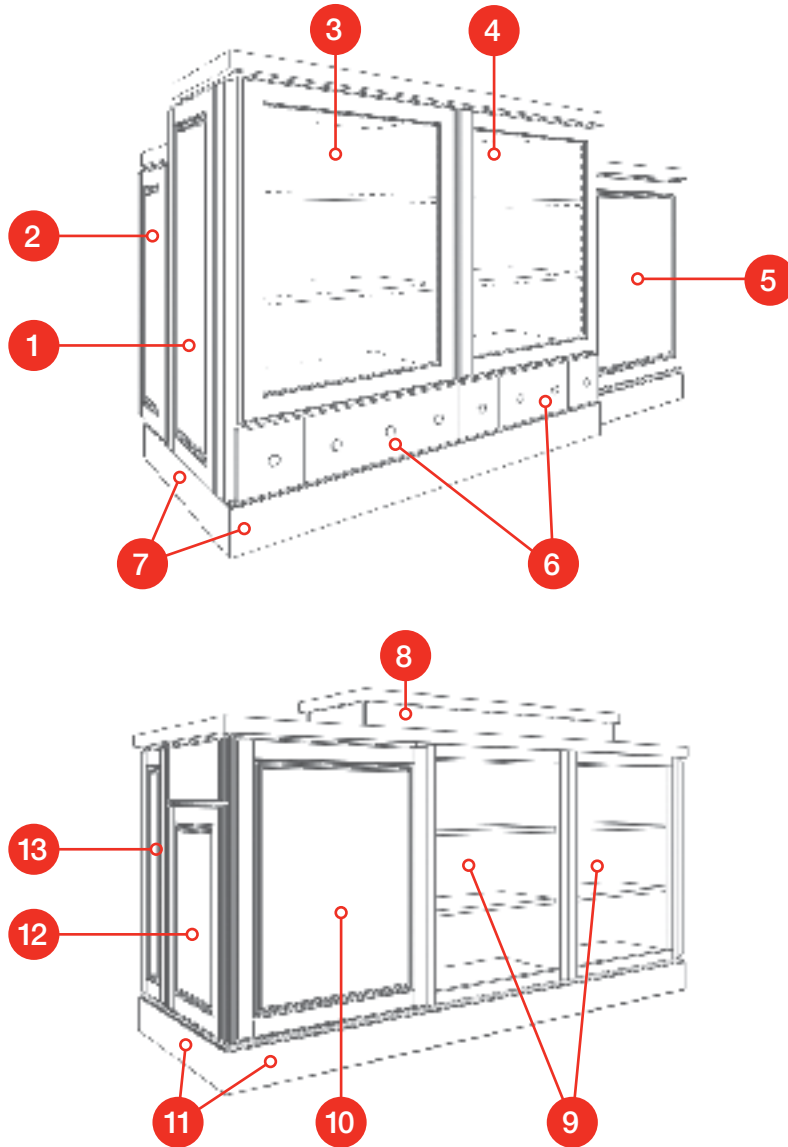
# LABELLE



Door Style: LaBelle  
Wood Type: Cherry  
Color: Amaretto  
Hardware: Oil Rubbed Bronze Knob HK157

“

Did you know that you can remove the glass and add your own insert for a more personal/custom look? It's easy to do and can truly define a space. Plus, align the spice drawer organizers on bottom of island to allow children to have access or to store extra sets of silverware for entertaining. – Lori Lewandowski ”



- |                        |                 |
|------------------------|-----------------|
| 1. ANDO1536            | 8. PB4896       |
| 2. ANDO1230            | 9. BK2430       |
| 3. W2430[L]-ID15-MI-GD | 10. MBEP2434[R] |
| 4. W2430[R]-ID15-MI-GD | 11. CFB8        |
| 5. MBEP2434[L]         | 12. B15[R2DT]   |
| 6. SDO24               | 13. BPO9        |
| 7. CFB8                |                 |

# AVENUE

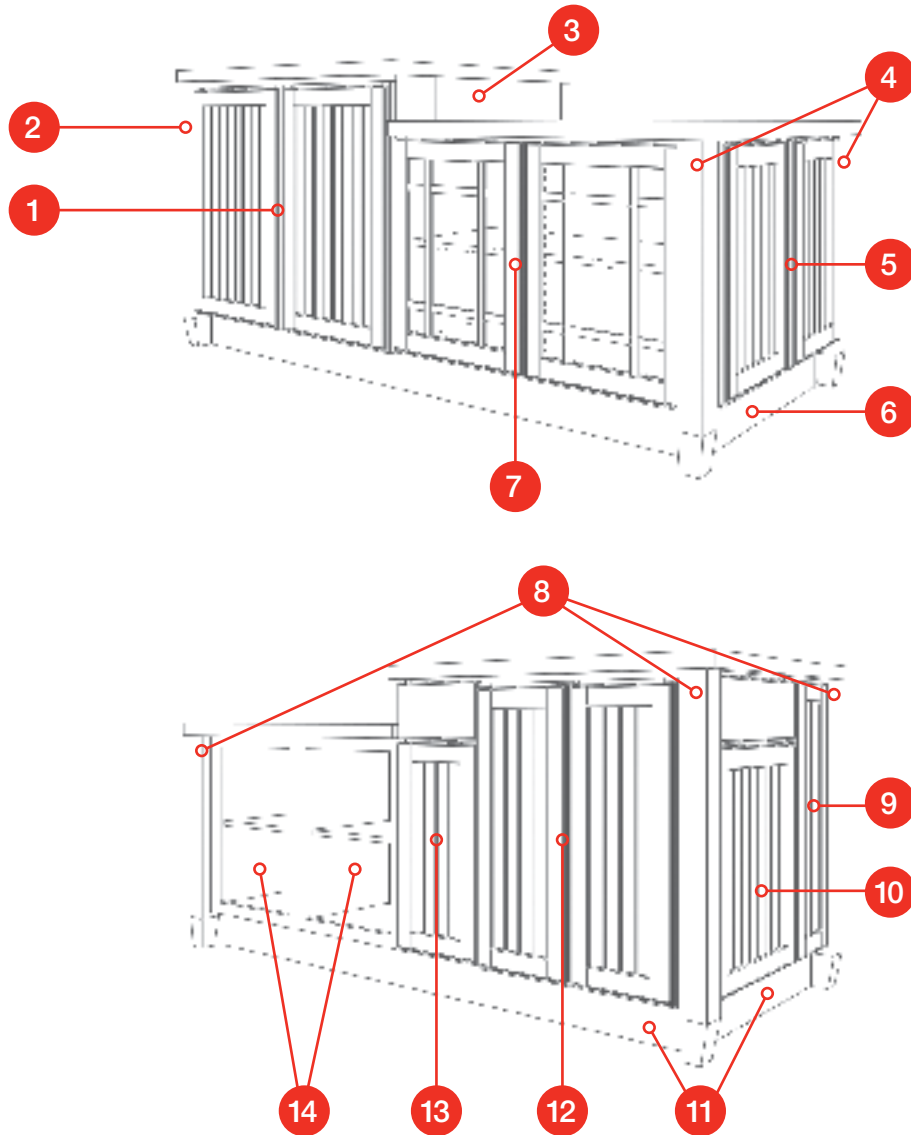


Door Style: Avenue  
Wood Type: Maple  
Color: Kona  
Hardware: Satin Nickel Pull HP135 & Knob HK137

“

Having a multi-level island allows for different activities to take place and is great for entertaining. Islands can also be useful for laundry rooms/craft rooms/basements. – Betsy Writer

”




1. [2]ANDO1830 PB4834
2. PLB
3. PB4834
4. PLB
5. [2]ANDO2724 PB4834
6. TKCV8
7. W3624 ID15-PR-MI

8. PLB
9. BPO9
10. BWBT18
11. TKCV8
12. [2]ANDO1230 PB4834
13. B12[RHDS]
14. BK1824-ID15

# LABELLE



***DID YOU KNOW?***  
We regularly tweet about new design ideas and tips? Find us on Twitter.  
@Merillat



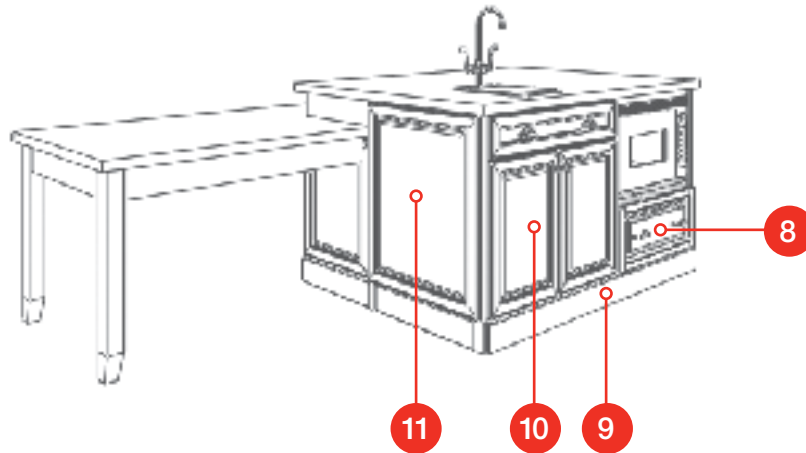
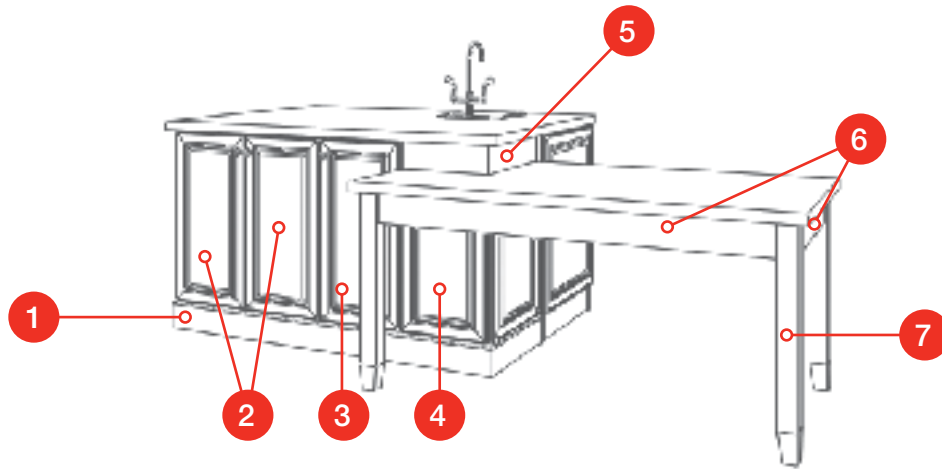
Door Style: LaBelle  
Wood Type: Maple  
Color: Toffee w/ Java Glaze  
Hardware: Oil Rubbed Bronze Pull HP156 & Knob HK157



“

Adding seating to an island is a great way to combine two traditionally separate spaces. Think about where you place the microwave and other appliances. Make them easy to use for everyone. – Nellie Ondrovick

”



- |               |              |
|---------------|--------------|
| 1. CFB8       | 7. PLB       |
| 2. W3030-ID15 | 8. BMC27     |
| 3. W1530-ID15 | 9. CFB8      |
| 4. W1524-ID15 | 10. SB33UT   |
| 5. PB4834     | 11. MBEP2434 |
| 6. SWS8       |              |

# FINISHING THE SIDE OF YOUR CABINET



**Standard Cabinet**

- Features matching moisture and stain resistant, easy to clean laminated 3/8" sides
- Standard 1/8" reveal between face frame and cabinet side



**Add Wood End Panel (WEP or PB)**

- WEP or PB will help to flush out 3/8" side and reduces side/face frame reveal
- Allows flexibility of only finishing/flushing one end of the cabinet
- Creates a Wood Veneer finished end which will age/change with the face frame and doors instead of standard M-Guard
- Field installed



**Add Plywood Ends Option**

- 3/8" thick matching veneer plywood end panels
- Finished wood end will age/change with face frame and doors
- Factory installed



**Add Matching End Panel (M\_EP\_R or L)**

- 3/16" thick veneered plywood panel w/ matching door (some styles ship attached, some field mounted)
- Matching End Panel covers the side of the cabinet to provide a finished furniture look
- Field installed



**Add Wood Panel & Replacement Door (WEP/BEP/PB)**

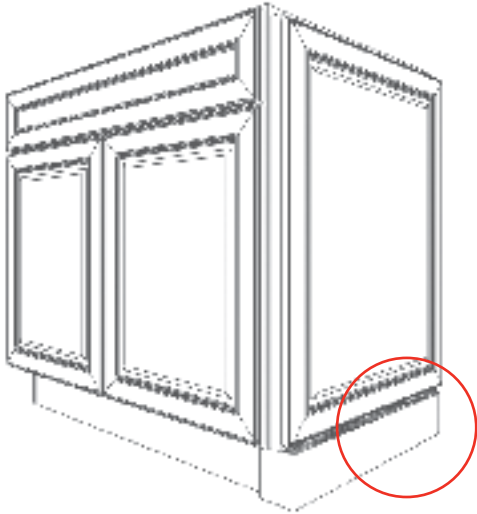
- Wood panel helps flush end to allow replacement door to lay flat on side of cabinet
- Matches cabinet door reveal, top and bottom, for a uniform look
- Great for use on increased/reduced depth cabinets where a Matching End Panel is not available
- Field installed



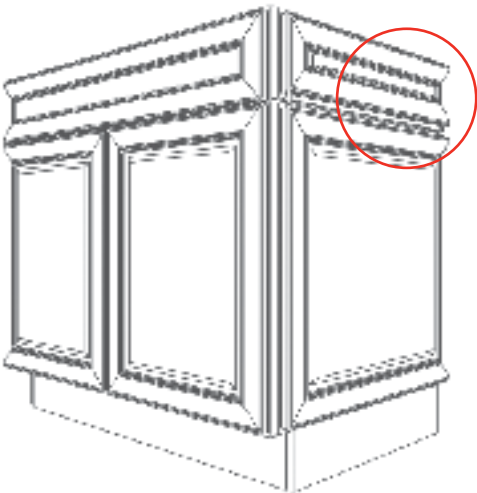
**Add V-Groove Panel (VGP)**

- Decorative panel and trim molding can be used to match a bead board cabinet door or paneling on back of an island
- Field installed

When adding replacement doors to finish the ends of base/tall cabinets also consider:



Add a piece of Traditional Furniture Base or Contemporary Furniture Base under the door on the side for a furniture look. For islands also run the furniture base around the back in addition to the sides for a nice finished furniture piece look.



Use a replacement drawer front with a shorter door for a uniform look front and side.



We are America's Cabinetmaker.™

[Merillat.com](http://Merillat.com)