



QUALITY
CABINETS.
WoodStar® Series





QUALITY

CABINETS.

WoodStar® Series

THREE-YEAR LIMITED WARRANTY

Masco Cabinetry LLC, is proud of our products and we stand behind our quality and workmanship.

As with other natural materials, wood is affected by environmental factors such as natural and artificial lighting, moisture and relative humidity. Darkening or mellowing of the wood can be expected and is a natural part of wood as it ages. Each wood specie also exhibits its own distinctive patterns and characteristics that add to its natural beauty. These variations in color and characteristics are not considered imperfections or defects. This warranty does not cover the natural aging and darkening of wood color, nor does it apply to the inherent growth characteristics of wood. Please review and abide by all storage and installation instructions.

WARRANTY COVERAGE

QualityCabinets™ Woodstar® Series products, manufactured and assembled by Masco Cabinetry LLC and purchased from an authorized dealer ("Products"), are warranted to the original purchasing consumer for a period of THREE YEARS from the date of purchase against defective materials or workmanship. This warranty is not transferable.

Should any of the Products prove defective or deficient under normal use during the warranty period, the defective parts will at our option either be repaired or replaced. In keeping with our continuous product improvement policy, we reserve the right to replace defective parts with parts of equal or greater value.

EXCLUSIONS FROM COVERAGE

This warranty does not cover removal, installation, labor or transportation costs to Masco Cabinetry LLC of the defective Products. Nor does this warranty cover any product used or installed in connection with the cabinets or cabinetwork, such as plumbing fixtures, gas or electrical appliances, or countertops. We shall provide for the cost of the return shipment of repaired or replacement Products to the consumer, if deemed necessary. This warranty does not apply to damages or defects related to improper handling, storage, misuse, alterations, installation or Products used for any purpose other than normal use. Slight color variations for repair or replacement parts and color variations that may occur over time are not considered defects or deficiencies under this warranty.

TO THE EXTENT PERMITTED BY LAW, MASCO CABINETRY LLC SHALL NOT BE LIABLE FOR LOSS OF USE OF THE PRODUCTS, CONSEQUENTIAL, INDIRECT OR INCIDENTAL DAMAGES RESULTING FROM THE USE, INSTALLATION, PERFORMANCE OR FAILURE OF ANY PRODUCTS. Some provinces and some states do not allow the exclusion or limitation of incidental or consequential damages, so the above limitation or exclusion may not apply to you.

This warranty gives you specific legal rights, and you may also have other rights that vary from state to state and from province to province.

WARRANTY CLAIMS

To submit a warranty claim, please write a letter explaining the defect with a copy of your proof of purchase to:

QualityCabinets™ Woodstar® Series
Warranty Department
15535 South State Ave.
Middlefield, Ohio 44062

Masco Cabinetry LLC is not responsible for merchandise returned to it without proper written authorization from us.

This Limited Warranty is applicable to QualityCabinets™ Woodstar® Series products purchased after March 6, 2017.



QUALITY

CABINETS™

WoodStar® Series

Specifications

©2017



QUALITY
CABINETS™
WoodStar® Series

CUSTOMER CARE GUIDELINES

At QualityCabinets™, we're committed to providing you with the very best service from start to finish.
We are always here to help.

QualityCabinets™ Customer Care Resources

Electronic means are convenient, but sometimes you just need to talk to a person, and QualityCabinets Customer Care consultants are here to help.

Contacting Customer Care:

Phone – (855) 896-9798

Fax – (866) 998-4432

Email – distribution@mascocabinetry.com

Order Entry – orderentry@mascocabinetry.com

proCAB – (866) 626-1621

Hours of Operation:

Monday through Friday – 8 a.m. to 6 p.m. EST

Saturday and Sunday – Closed

Contact Customer Care With Questions or Concerns Associated With:

- Order product.
- Follow up on orders or track delivery progress.
- Discuss product situations or address invoice questions.
- Warranty Claims
- Technical issues

Your QualityCabinets™ Account Manager is there to help you ... every step of the way. Make sure to contact them whenever you have questions, concerns or need information regarding:

- Display Requests
- Literature Replenishment
- Warranty Resolution
- Logistics Concerns
- Design questions
- Promotional Inquiries

QualityCabinets™ Cancellation Policy:

QualityCabinets™ cabinetry is made to order. That means we don't start building your cabinets until your order is placed. Due to our fast 10-day shipping schedule, orders are fulfilled as quickly as possible, affecting our ability to accept cancellations. To consistently maintain the quick 10-day shipping schedule, our policy is that orders cannot be canceled once placed.

How to Handle Warranty Claims:

- **Damage** – if you or a customer received the product and the packaging is visibly damaged, request that the driver open the package. The dealer is then responsible for placing the reorder.
- **Missing** – process a replacement order as soon as the shortage is noticed.
- **Warranty** – if a problem arises during the warranty period, simply place a replacement order and notate the original order number.
- A faxed acknowledgement will be sent for replacement part orders.



QualityCabinets™ Woodstar® Series offers a 3-Year Limited Warranty from the date of purchase.

Full warranty details are available at www.QualityCabinets.com.



Ordering Process

Automated Orders proCAB™

proCAB™ is an online, web-based, real-time order management solution available for QualityCabinets product lines. Sign up today if you don't already have an account. Benefits of proCAB™ are:

- Order Entry and Inquiry
- Import Kitchen Designs from 2020
- No Charge Shortage and Damage Ordering
- Quote Order Capabilities
- Expedite Requests
- Shipment Status Inquiry
- Product Inquiry Search
- Document Imaging to retrieve copies of acknowledgements, invoices, and shipping reports

proCAB:

- proCAB orders are submitted through proCAB.qualitycabinets.com.
- Designs created in 20/20 should be converted to an XML file before uploading through the Order Entry tab.
- Multiple door styles, finishes, and constructions can be processed on the same order.
- Contact proCABsupport@mascocabinetry.com with any questions, or to get signed up to utilize this order entry tool.

For more information, please contact us directly at (866) 626-1621 or proCABsupport@mascocabinetry.com

proCAB User Name:

proCAB Password:

Faxed Orders:

- **Must include: account number, shipping address, purchase order, door styles(s), wood species, finish(es), cabinet construction(s), door profile(s), and any other details pertinent to your order.**
- Orders are first come, first served- the order must be received by 3 p.m. EST to be entered on the same business day.

Order Confirmation:

- Once an order has been received by QualityCabinets, a faxed confirmation will follow approximately 1 business day later.

Monitoring Your Order:

- You can check the status of an order at any time by logging into proCAB.qualitycabinets.com and searching on the Inquiry tab.
- You can also log on to www.qualitycabinetspros.com to track your account's orders.

QualityPros™ User Name:

QualityPros Password:

Table of Contents

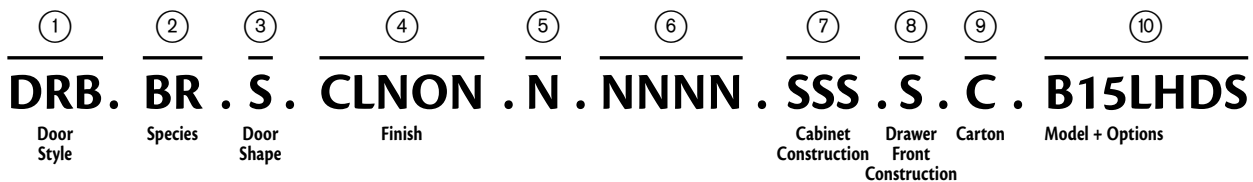
Product Code System	2-6	Vanity Cabinets	G1-G8
Code System	2-3	Vanity Cabinets	G1-G5
Understanding Product Codes	4	Vanity Accessories	G6-G8
What's New	5		
Index	i-ii	Office Cabinets	H1-H2
		Office Cabinets	H1
		Office Accessories	H2
Door Styles	A1-A6	Universal Cabinets	I1-I4
		Universal Cabinets	I1-I3
		Universal Cabinet Accessories	I4
Finishes	B1-B2	Panels-Shelving-Trays	J1-J6
		Panels	J1
		Shelving	J2-J3
		Trays	J4-J6
Cabinet Specifications and Options	C1-C10	Decorative Enhancements	K1-K10
Cabinet Specifications	C1-C4	Supports & Valances	K1
Construction Options	C5-C10	Moldings	K2-K5
		Decorative Hardware Knobs	K6-K7
		Decorative Hardware Pulls	K8-K9
Wall Cabinets	D1-D10	Replacement Parts	L1-L18
Wall Cabinets	D1-D2	Hardware	L1-L7
Wall Corner Cabinets	D3-D5	Touch Up Materials	L8-L10
Wall Open Cabinets	D6	Sales Doors	L11
Wall Appliance Cabinets	D7	Understanding Replacement Parts	L12-L13
Wall Accessories	D8-D10	Doors and Drawer Fronts - Sizes	L14-L16
		Accessory Non-Drilled Doors -Sizes	L17-L18
Base Cabinets	E1-E12	Indexes	M1-M2
Base Cabinets	E1-E3		
Base Sink Cabinets	E4		
Base Corner Cabinets	E5-E7		
Base Accessories	E8-E12		
Tall Cabinets	F1-F6		
Tall Cabinets	F1-F2		
Tall Appliance Cabinets	F3		
Tall Accessories	F4-F6		

Code System

QualityCabinets Ordering Code

QualityCabinets builds its order code from global options, model, and model options which together define an orderable item. The order code is created from the door, finish, construction, cartoning, model and model options to complete the order code. The order code can incorporate all possible combinations available in the QualityCabinets product line. Each order code must be complete to be recognized as a unique product. By understanding the QualityCabinets code system you can identify any product with any variation or option in one place.

Following is a breakdown of each order code segment and how it combines to make a full order code. Each segment is identified with an identification number. That number will be repeated on this page and every page where the specification of product relates to a segment position of the order code.



① Door Style	Code
Derby	DRB
Harborview	HBV
Kittery	KRY
Maddie	MAD
Seacrest	SCR

② Species	Code
Birch	BR
Laminate	LM

③ Door Shape	Code
Square	S

④ Stain Finishes	Code
Clove	CLNON
Mirage	MRNON
Twilight	TWNON

④ Painted Finish	Code
Cotton	CTNON

④ Laminate	Code
White	WHNON

⑤ This attribute is being held for future use to indicate special finishing options
N

⑥ This attribute is being held for future use to indicate special construction material options
NNNN

⑦ Cabinet Construction

⑦a Cabinet Construction Code	⑦b Drawer Box Code	⑦c Thick Shelf Code
S	S, D	S

Options	Code
Standard Construction, Standard Drawers, Standard Shelves	SSS
Standard Construction, Dovetail Drawers, Standard Shelves	SDS

⑧ Drawer Front Construction	Code
Solid Drawer Front	S

⑨ Cartoning	Code
Cartoned	C
Face Wrap	F

10 Model + Options

Code must appear in the order listed below. Not all code slots need to appear in the model + option code, just the options that apply.

10a Model	10b Depth Code	10c Hinging Code	10e Glass Door Code	10d Tray/Shelf Code	10g Partial Cabinet Code
W1842	9" deep 09	Left L	Prepared for	Half Depth Shelf HDS	Cabinet
B21	12" deep 12	Right R	Glass Door PG	1 Standard Tray 1ST	Front Only CFO
B27B	15" deep 15			2 Standard Trays 2ST	
U159624	18" deep 18			1 Standard Full Width Tray 1FT	Case Only Option CSO
VCD3035DL	21" deep 21				Frame Only Option FRM
	24" deep 24				

Model + Option Code Examples

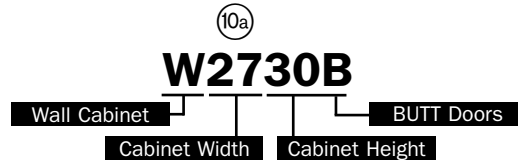
	Code
Wall Single Door Cabinet 18" Wide x 42" High x 12" Deep Hinged Right	W1842R
Wall Single Door Cabinet 18" Wide x 42" High x 15" Deep	W184215
Base Single Door Cabinet 21" Wide Hinged Right with 1 Standard Tray	B21R1ST
Base BUTT Door Cabinet 27" Wide with Half Depth Shelf	B27BHDS
Base BUTT Door Cabinet 27" Wide with 1 Standard Full Width Tray	B27B1FT
Utility Cabinet Single Door 15" Wide x 96" High x 24" Deep Hinged Right	U159624R
Vanity Combination Drawer 30" Wide x 34 1/2" High Drawers Left	VCD3035DL

Understanding Product Codes

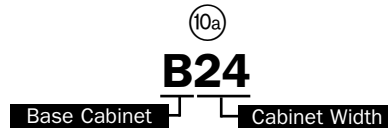
Standard Cabinets

Wall Cabinet widths are always listed first followed by height. A standard wall cabinet is 12" deep except for Wall Refrigerator Cabinets which have a standard depth of 24". Thus 27 is the width, 30 is the height and depth is 12". Depth is only listed as the last two numbers when depth is other than standard. Cabinets with a "B" suffix have BUTT Doors without a center stile.

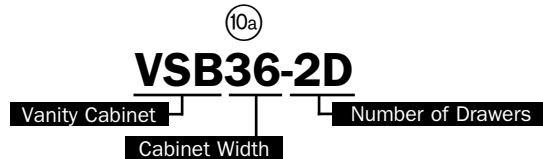
Tall cabinets follow the same sequence characteristics as Wall Cabinets; width first followed by height (eg: U1884). In those instances where the cabinet depth is greater than 12", the sequence is width and height, followed by depth (eg: U188424).



Base Cabinets are simpler than Wall Cabinets because the height (34 1/2" plus 1 1/2" for the countertop) and the depth (24") are always the same unless otherwise noted. The only numbers you need to know are the width. Cabinets with the "B" suffix have BUTT doors without a center stile.

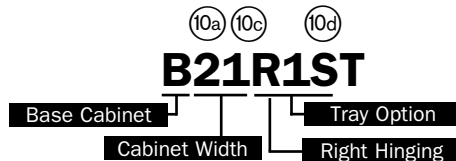


Vanity Cabinets are similar to Base Cabinets; the numbers are used to represent the width. Vanity Sink Base Cabinets are either 31 1/2" or 34 1/2" high plus 1 1/2" for the countertop. This particular cabinet is 31 1/2" high and comes standard with two drawers and is located at the end of the code.

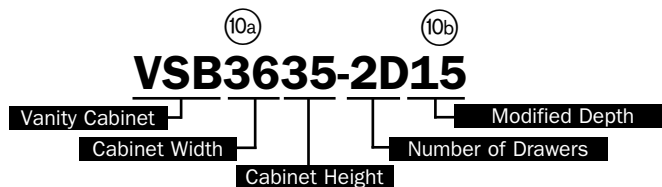


Cabinets with Options

Trays are an available option for select Base Cabinets. With Trays as options, we are able to communicate with greater detail the different trays to choose from and the availability of the option with ease. The option of 1 Standard Tray has been chosen for this cabinet.



Modified Depth options are available in increments of 3". With six options of Modified Depth to choose from, you are able to interact with our products on a truly semi-custom level. The option of reduce to 15" deep has been chosen for this cabinet. This cabinet is 36" wide, 34 1/2" high with 2 drawers and a modified depth of 15".



What's New for the Quality Woodstar product line in 2017



Watch for this icon highlighting new items

Watch for grey codes and this note highlighting new models or codes

B24D

Grey color coding indicates new product, size or code

New Product	
Wall Cabinets	Page
Wall Single Door W1518, W1818, W2421	D1
Wall Double Door W2430D*, W2436D*, W2442D*	D2
Bookcases	D6
Wall Lattice	D6
Wine Storage Cabinets	D6
Wall Microwave Shelf	D7
Wall End Panel in Veneer	D8
Base Cabinets	Page
Base Double Door B24D HDS*	E2
Base Four Drawer	E2
Peninsula Base Single Door	E3
Peninsula Base Double Door	E3
Sink Base Double Door SB24D*	E4
Sink Base Angle	E4
Sink Front Angle	E4
Sink Front Diagonal Bottom	E9
Base End Panel in Veneer	E9
Tall Cabinets	Page
Tall Utility Cabinet 12" Deep in 30" Width	F1
Tall Utility Cabinet 24" Deep in 30" Width	F2
Refrigerator End Panel	F5
Tall End Panel in Veneer	F5
Vanity Cabinets	Page
Vanity Base Single Door Full-Height	G1
Vanity Base Double Door Full-Height	G1
Vanity Sink Base Double Bowl in true 60" Width, 3 & 4 drawers	G2
Vanity Sink Base Two Drawer Four Door in true 60" Width	G3
Vanity Drawer Four Drawer	G5
Universal Cabinets	Page
Universal Removable Sink Front Double Doors	I3
Panels, Shelving, and Trays	Page
Universal Access Panel	J1
Furniture Shelf Kit	J2
Replacement Base Shelf	J3
Base Tray Kit-Double Faced, Standard	J4
Decorative Enhancements	Page
Cove Large Molding	K2
Cove Light Rail Molding	K3
Traditional Furniture Base	K5
Replacement Parts	Page
3/4 Extension Side Mount Roller Guide Peninsula Base Kit 24	L1
Full Extension Under Mount Soft-Close Peninsula Base Guide Kit 24	L2
Rear Mounting Bracket - 3/4 Ext. Side Mnt Roller Guides Pen.a Base	L3
Rear Mounting Bracket - Full Ext. Side Mnt Roller Guides Pen.a Base	L3
Accessory Hinged Doors	L7

*24" wide cabinets with a "D" suffix are double door cabinets with a center stile

Notes

ITEM	PAGE	ITEM	PAGE	ITEM	PAGE
Universal Base Lazy Susan	I3				
Universal Base Single Door	I1				
Universal Base Single Door - Full-Height	I1				
Universal Base Three Drawer	I2				
Universal Base Toekick Cover - Laminate	I4				
Universal Desk End Panel	H2				
Universal Frame Dimensions	C4				
Universal Removable Sink Front Double Doors	I3				
Universal Sink Base	I2				
Utility Front	F2				
Utility Tray Kit	E9				
V					
Valance Contemporary	K1				
Vanity Base Double Door Full-Height	G1				
Vanity Base Single Door	G1				
Vanity Base Single Door Full-Height					
Vanity Combination Drawer Eight Drawer Single Door	G4				
Vanity Combination Drawer Six Drawer Single Door	G4				
Vanity Combination Drawer Three Drawer	G4				
Vanity Combination Drawer Two Drawer	G3				
Vanity Drawer Four Drawer	G5				
Vanity Drawer Three Drawer	G5				
Vanity Front Sample	L11				
Vanity Sink Base Double Bowl	G2				
Vanity Sink Base Double Door	G2				
Vanity Sink Base Single Door	G2				
Vanity Sink Base Two Drawer Double Door	G2				
Vanity Sink Base Two Drawer Four Door	G3				
Vanity Sink Base Two Drawer Three Door	G3				
Vanity Tray Kit	J5				
Vanity Wall Recessed	G5				
Vent Clip Pack	L5				
W					
Wall and Base Frame Dimensions	C2				
Wall Angle Single Door	D5				
Wall Blind Corner Cabinet Information	D3				
Wall Blind Corner Double Door	D4				
Wall Blind Corner Single Door	D4				
Wall Corner Closure	D9				
Wall Double Door	D2				
Wall End Panel	D8				
Wall Filler	D8				
Wall Filler Corner	D8				
Wall Lattice	D6				
Wall Microwave Shelf	D7				
Wall Refrigerator	D2				
Wall Single Door	D1				
Wesley	A6				
Wine Storage Cabinet	D6				

Wood Species and Characteristics

Birch is a medium-density hardwood with a distinct, moderate grain pattern that ranges from straight to wavy or curly. The predominant sapwood color is white to creamy yellow, while the heartwood varies in color from medium or dark brown to reddish brown, which may result in color variation within the same door.

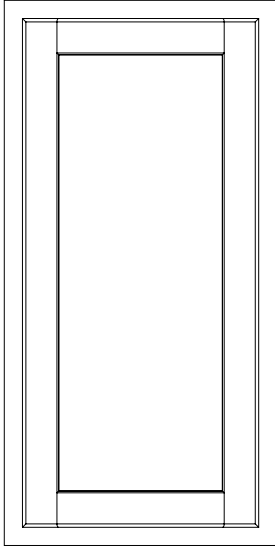
Laminate is a Medium-Density Fiberboard (MDF) with a thermo plastic polymer wrap that covers the face, back, and inside edges of the door or drawer front rails, stiles, and panels. The ends of door stiles and drawer fronts are edge banded to match the wrapping material.

Derby

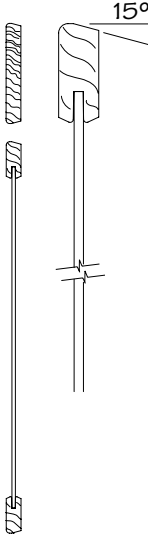
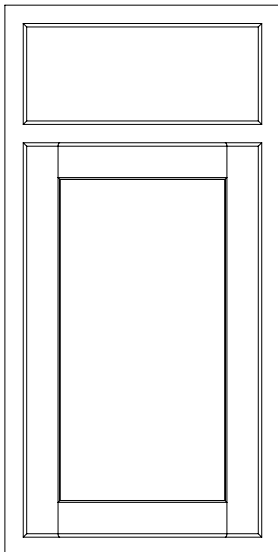
Traditional Overlay

① ② ③ ⑧
DRB . BR . S . S

Birch



- 2" stiles and rails, 3/4" thick solid hardwood
- 5/32" recessed center panel is veneer applied to an engineered wood core
- Painted product in Birch door styles may be constructed from hardwoods or engineered substrates
- Slab drawer front is solid wood
- Mortise and tenon construction
- Door and drawer front have horizontal reverse bevels
- Decorative hardware is optional



Birch

Stain Finishes

Clove (CLNON)
 Mirage (MRNON)
 Twilight (TWNON)

Painted Finishes

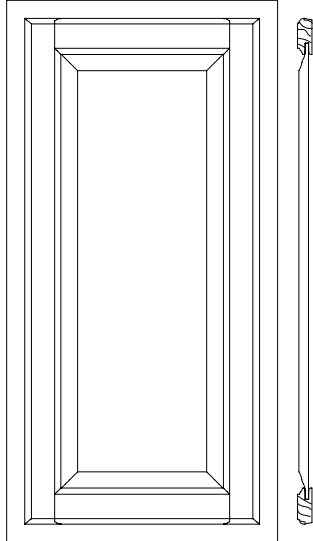
Cotton (CTNON)

Harborview

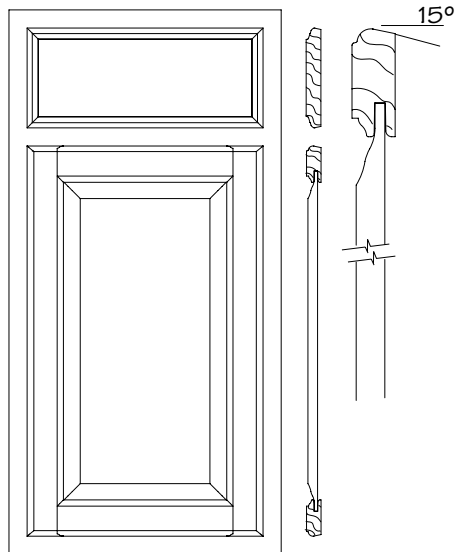
Traditional Overlay

① ② ③ ⑧

HBV. BR. S. S Birch



- 2" stiles and rails, 3/4" thick solid hardwood
- 1/2" raised center panel is veneer applied to an engineered wood core
- Painted product in Birch door styles may be constructed from hardwoods or engineered substrates
- Slab drawer front is solid wood
- Mortise and tenon construction
- Door and drawer front have horizontal reverse bevels
- Decorative hardware is optional



Birch

Stain Finishes

Clove (CLNON)
 Mirage (MRNON)
 Twilight (TWNON)

Painted Finishes

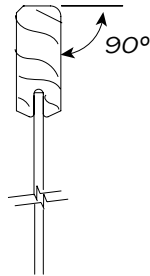
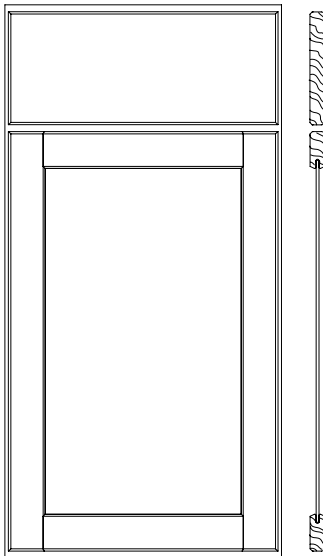
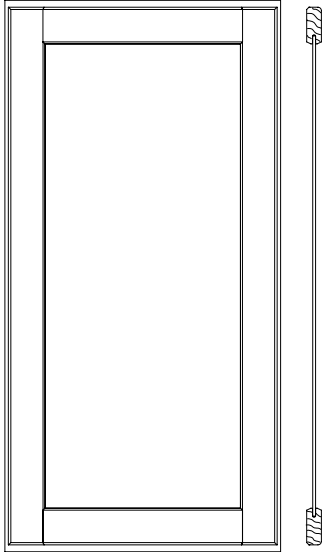
Cotton (CTNON)

Kittery

Full Overlay

① ② ③ ⑧
KRY . BR . S . S

Birch



- 2" stiles and rails, 3/4" thick solid hardwood
- 5/32" recessed center panel is veneer applied to an engineered wood core
- Painted product in Birch door styles may be constructed from hardwoods or engineered substrates
- Slab drawer front is solid wood
- Mortise and tenon construction
- Decorative hardware is required

Birch

Stain Finishes

Clove (CLNON)
 Twilight (TWNON)

Painted Finishes

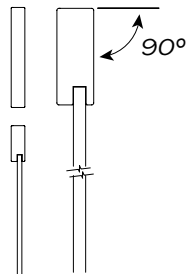
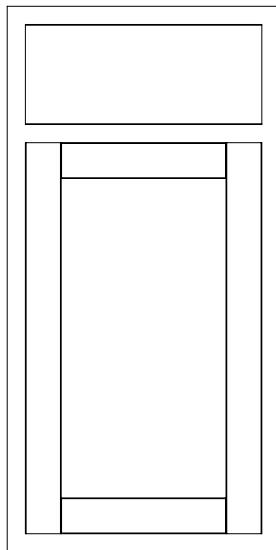
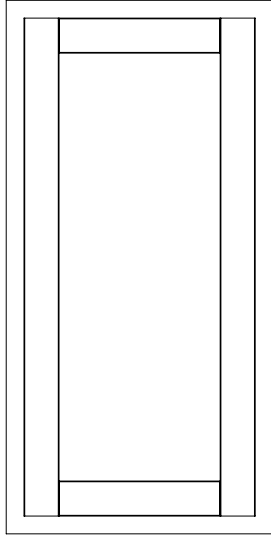
Cotton (CTNON)

Maddie

Traditional Overlay

① ② ③ ⑧
MAD.LM. S. S

Laminate



- 2" wide stiles and rails; 3/4" thick
- 1/4" recessed center panel has laminate applied to a Medium Density Fiberboard (MDF) core
- Door stiles and rails are individually wrapped with laminate and assembled using two wood dowels per joint
- Tall doors have a single recessed panel
- Slab drawer front is Medium Density Fiberboard (MDF) core with laminate wrap and edge banded along side edges
- Decorative hardware is optional

Laminate

Laminate Finishes

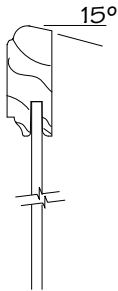
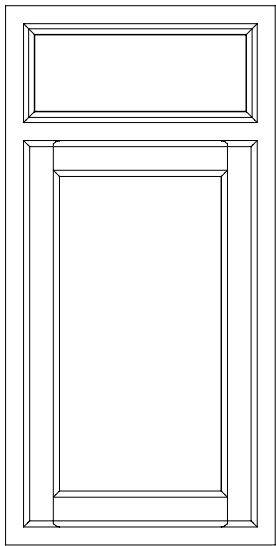
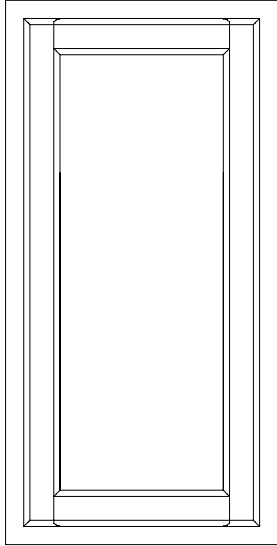
White (WHNON)

Seacrest

Traditional Overlay

① ② ③ ⑧
SCR. BR. S. S

Birch



- 2" stiles and rails, 3/4" thick solid hardwood
- 5/32" recessed center panel is veneer applied to an engineered wood core
- Slab drawer front is solid wood
- Mortise and tenon construction
- Door and drawer front have horizontal reverse bevels
- Decorative hardware is optional

Birch

Stain Finishes

- Clove (CLNON)
- Mirage (MRNON)
- Twilight (TWNON)

Finishes

Finishes protect and enhance the natural beauty of wood. Extra care is taken to assure a uniform finish. Because we are dedicated to customer satisfaction, we feel that it is important to explain some of the characteristics of finishes on hardwood.

Finish Terminology

End Grain

End grain surfaces and softer areas of the wood may accept more stain and often appear darker than other surfaces. This is a natural reaction when finishing wood products and potential variances **cannot** be controlled.

Joint Lines

Since wood is in a constant state of expansion and contraction, visible lines are normal at the joints on the cabinet face frames and doors. This does **not** weaken the finish or the strength of the joint.

Warping, Cracking & Proper Humidity

As a natural characteristic, all wood products contain moisture. Changes in temperature and humidity affect the moisture content in wood, which causes wood to expand or contract. Over time, this expansion or contraction can cause warping and joint cracks to occur, potentially causing permanent deformations, in wood cabinetry.

To help prevent excessive movement in your wood cabinetry, we recommend maintaining a controlled environment of 70 to 75 degrees Fahrenheit and 30% to 50% humidity in the areas where your cabinetry is stored or installed. Environmental conditions **cannot** be controlled by Masco Cabinetry and the effects of the movement in wood is **not** considered to be a manufacturing defect and will **not** be considered a reason for replacement.

Note: Wood products, including cabinet doors and face frames, are typically affected by environmental conditions. Color variation over time, as well as normal movement due to wood's expansion and contraction is part of the natural beauty of wood. This normal movement may cause hairline cracks in the finish surface at the joints and is considered a normal characteristic of semi-opaque or painted finishes. This will **not** be considered a reason for product replacement.

See the doors section of this book for door specie information and descriptions

Stain Finishes

Stain Process

Stain is applied and brush-wiped to desired color. Next, sealer is applied to protect the finish and minimize warping and cracking of the hardwood. Sealer is then sanded to develop a bonding surface for the topcoating process.

As a final step, a heat activated topcoat is applied to provide a beautiful and durable furniture finish. Finish availability varies by door style.

Clove

A rich, medium brown finish that draws out the grain characteristics of Birch. This finish may show a range of color variation which adds to its beauty. The natural wood grain and character continue to show through the finish color.

CLNON Birch

Mirage

Light-medium finish that blends color with the natural Birch characteristics. The finish process reduces the variation of wood colors and minimizes color contrast in the finished product. The natural wood grain and character continue to show through the finish color.

MRNON Birch

Twilight

Dark semi-transparent finish lets just a hint of the Birch characteristics show through.

TWNON Birch

Painted Finishes

Paint Process

Painted finishes feature rich, beautiful color while allowing some of the natural beauty of the wood to show.

Several coats of rich, semi-opaque paint coat the wood using an automated application process.

Natural wood characteristics such as gum pockets, streaks and pin knots may be visible, particularly with some of our lighter paints. These characteristics tend to be more pronounced on the backs of our doors and drawers.

Since wood naturally expands and contracts, you may see hairline separation in the finish surface at the joints. Joint lines are normal and do **not** affect the strength of the door's construction.

Note: Self cleaning ovens generate high temperatures which can cause discoloration of painted finishes. To minimize risk, it is recommend that you open doors and drawers adjacent to the oven during cleaning cycles.

Cotton

White

CTNON Birch

Laminate

Wrapped Process

Door rails and stiles are individually wrapped with laminate. Slab drawer front is medium density fiberboard (MDF) core with laminate wrap and edge banded along side edges. The cabinetry face frame features solid hardwood finished to match the wrapped doors and drawer fronts. While great care has been taken to match the face frame to the doors and drawer fronts, texture and color variations can be expected. Prolonged exposure to tobacco smoke will discolor wrapped finishes, and this side effect is **not** covered under warranty. Finish availability varies by door style.

Note: Self cleaning ovens generate high temperatures which can cause discoloration of laminated finishes. To minimize the risk, it is recommended that you open the doors and drawers adjacent to the oven during cleaning cycles.

White

White

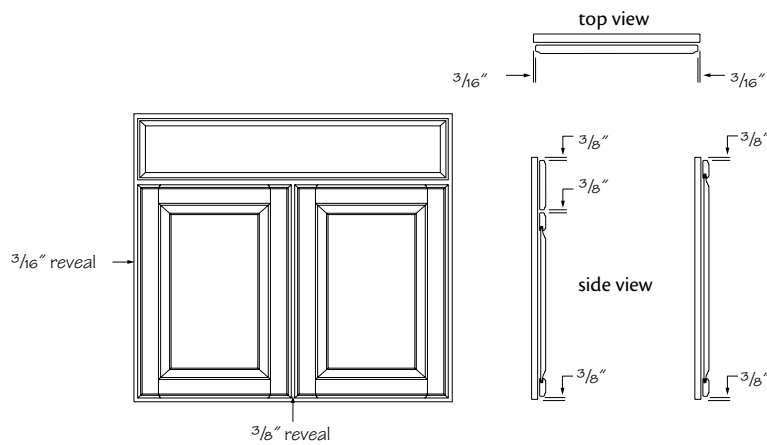
WHNON Laminate

Notes

Cabinet Specifications

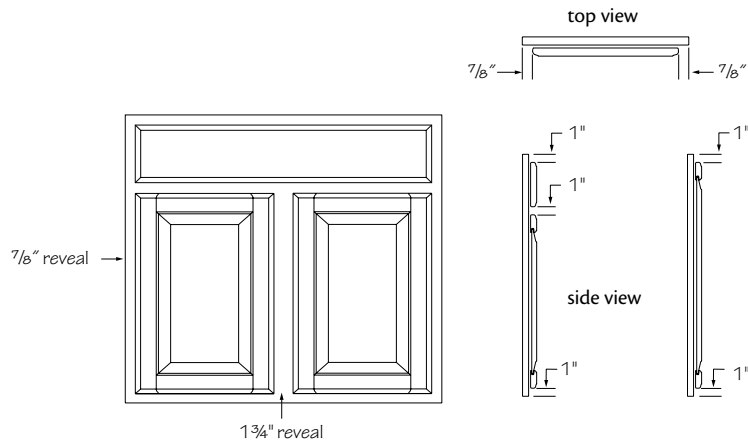
Construction Options and Modifications

Full Overlay - Concealed Hinges



- Full Overlay doors leave $\frac{3}{16}$ " of the cabinet's face frame exposed on either side of the doors and $\frac{3}{8}$ " exposed between doors
- Butt door cabinets have $\frac{1}{8}$ " reveal between doors
- Nickel-finished self-closing hinges. Adjustable six ways for perfect alignment
- The reveals shown here may vary slightly on some cabinets due to actual door/drawer front sizes used

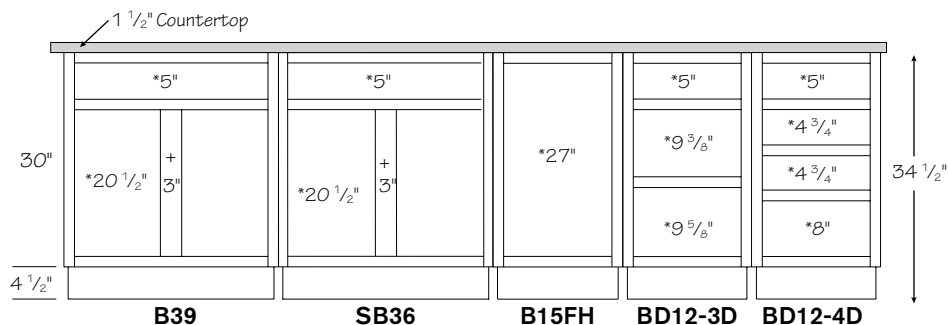
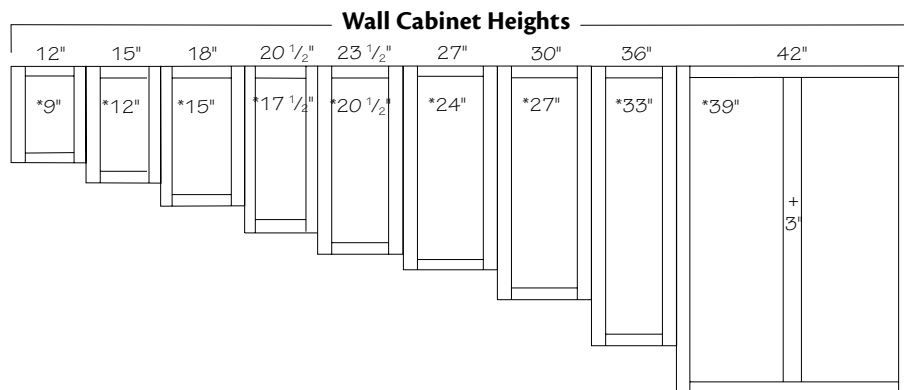
Traditional Overlay - Concealed Hinges



- Traditional Overlay doors leave $\frac{7}{8}$ " of the cabinet's face frame exposed on either side of the doors and $1\frac{3}{4}$ " exposed between doors
- Butt door cabinets have $\frac{1}{8}$ " reveal between doors
- Nickel-finished self-closing hinges. Adjustable six ways for perfect alignment
- The reveals shown here may vary slightly on some cabinets due to actual door/drawer front sizes used

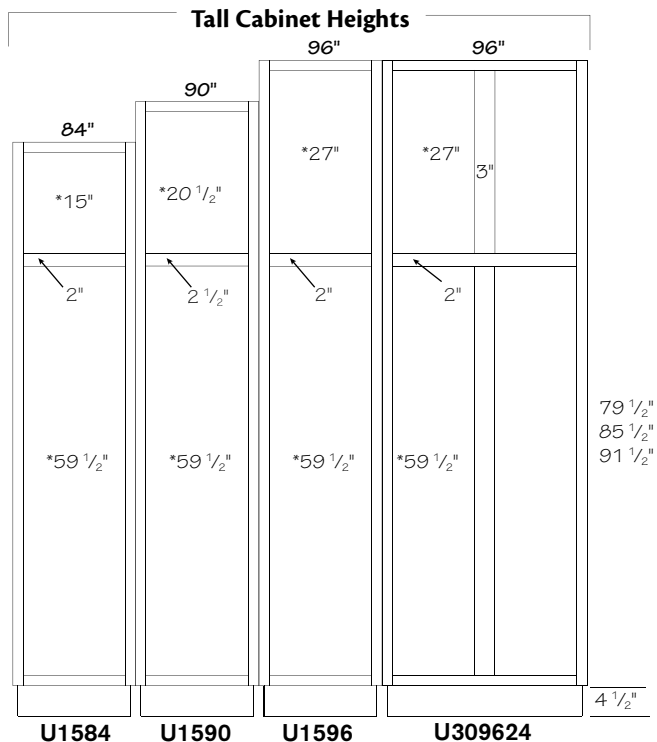
Wall and Base Frame Dimensions

- Vertical opening sizes are preceded by an asterisk (*)
- Unless otherwise noted, all stiles and rails are 1 1/2" wide
- Unless otherwise noted, depth of cabinets excludes doors
- 3" wide vertical stiles divide double door cabinets, + indicates stiles are removed on butt door cabinets



Tall Frame Dimensions

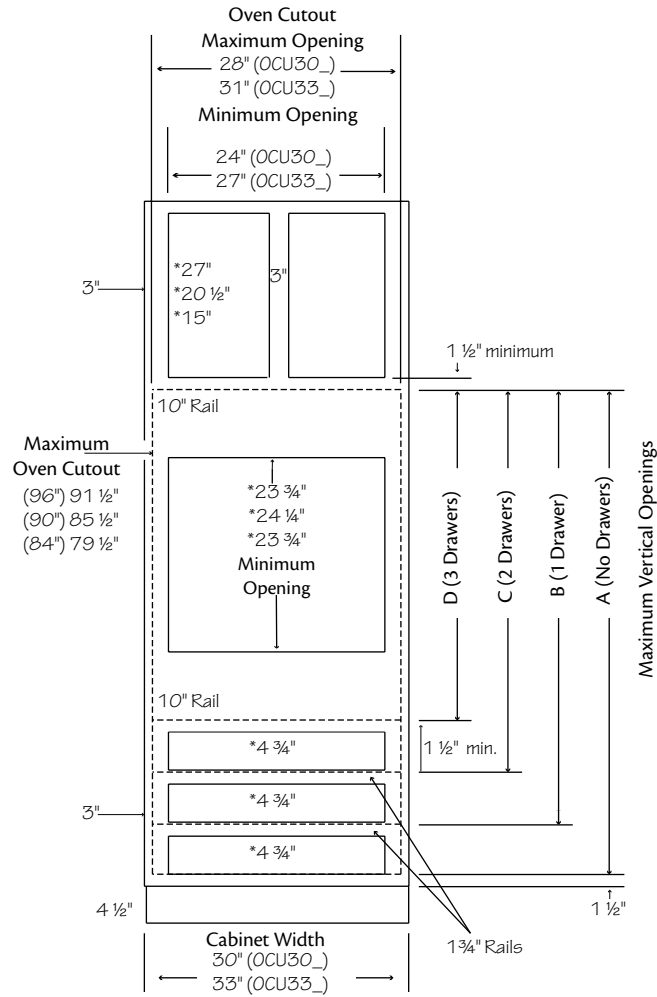
- Vertical opening sizes are preceded by an asterisk (*)
- Unless otherwise noted, all stiles and rails are 1 1/2" wide
- Unless otherwise noted, depth of cabinets excludes doors
- 3" wide vertical stiles divide double door cabinets



Oven Cabinet Universal Frame Dimensions

- Vertical opening sizes are preceded by an asterisk (*)
- Unless otherwise noted, all stiles and rails are 1 1/2" wide
- Unless otherwise noted, depth of cabinets excludes doors
- Cabinets have 3" wide trimmable full-length vertical stiles that provide opening width adjustment
- Substitute “_” with cabinet’s height

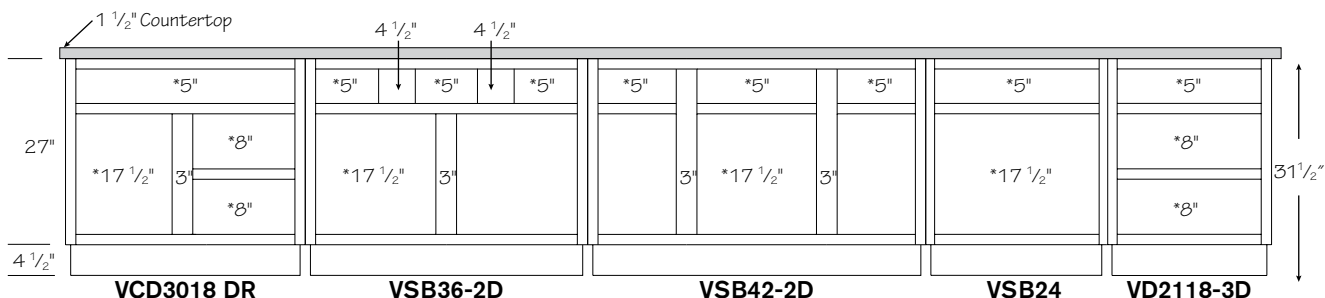
Oven Cabinet Universal (OCU)



Maximum Vertical Openings for Oven				
Cabinet Height	A	B	C	D
84"	60"	53 3/4"	47 1/4"	40 3/4"
90"	60 1/2"	54 1/4"	47 3/4"	41 1/4"
96"	60"	53 3/4"	47 1/4"	40 3/4"

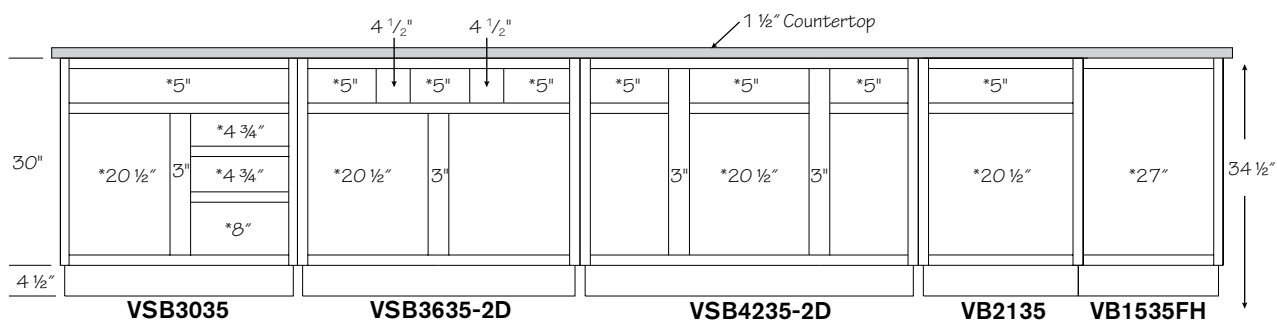
31 1/2" Vanity Frame Dimensions

- Vertical opening sizes are preceded by an asterisk (*)
- Unless otherwise noted, all stiles and rails are 1 1/2" wide
- Unless otherwise noted, depth of cabinets excludes doors



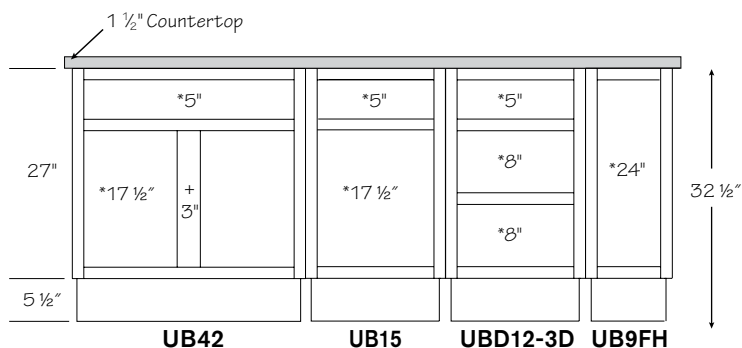
34 1/2" Vanity Frame Dimensions

- Vertical opening sizes are preceded by an asterisk (*)
- Unless otherwise noted, all stiles and rails are 1 1/2" wide
- Unless otherwise noted, depth of cabinets excludes doors



Universal Frame Dimensions

- Vertical opening sizes are preceded by an asterisk (*)
- Unless otherwise noted, all stiles and rails are 1 1/2" wide
- Unless otherwise noted, depth of cabinets excludes doors
- 3" wide vertical stiles divide double door cabinets, + indicates stiles are removed on butt door cabinets



Construction Options

Construction Options and Modifications

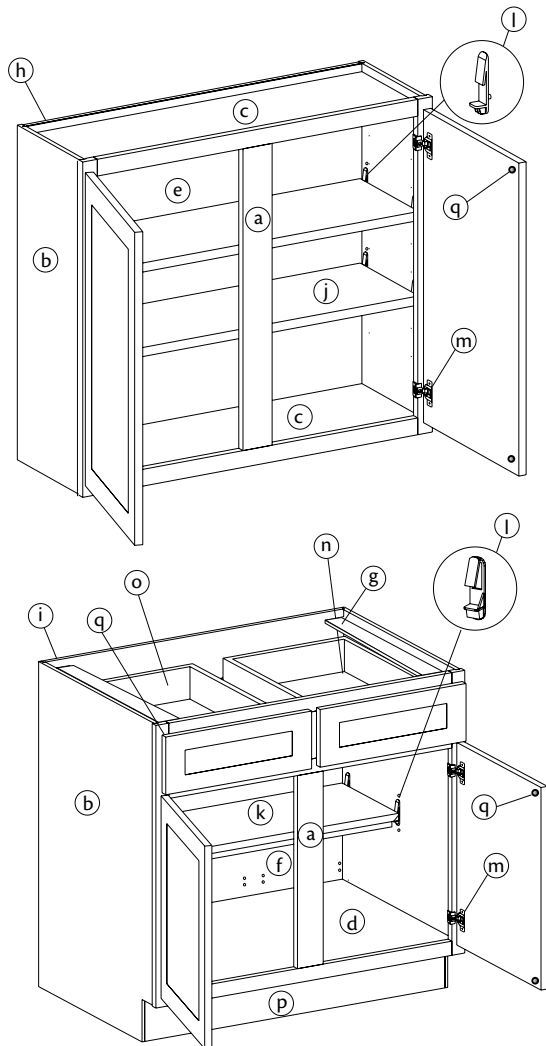
- ❖ Included as standard
- Available with an upcharge
- ☆ Available with exceptions

(Blank) **Not** available

SSS	Construction	-----	⑦
SDS	Construction	-----	⑦
09	Depth Modification	----	⑩b
12	Depth Modification	----	⑩b
15	Depth Modification	----	⑩b
18	Depth Modification	----	⑩b
21	Depth Modification	----	⑩b
24	Depth Modification	----	⑩b
HDS	Half Depth Shelf	-----	⑩c
FDS	Full Depth Shelf	-----	⑩c
FT	Standard Full Width Trays	-----	⑩c
ST	Standard Trays	-----	⑩c
CFO	Cabinet Front Only	----	⑩g
CSO	Case Only	-----	⑩g
FRM	Frame Only	-----	⑩g



Cabinet Construction



- a. Face Frames
- b. End Panels
- c. Wall and Tall Tops and Bottoms
- d. Base and Vanity Bottoms
- e. Wall Backs
- f. Tall, Base and Vanity Backs
- g. Base and Vanity I-Beam support
- h. Wall and Tall Hang Rails
- i. Base and Vanity Hang Rails
- j. Wall and Tall Shelves
- k. Base Shelves
- l. Shelf Supports
- m. Hinges
- n. Drawer Guides
- o. Drawer Cores
- p. Base and Vanity Toeboard Backers
- q. Door and Drawer Bumpers

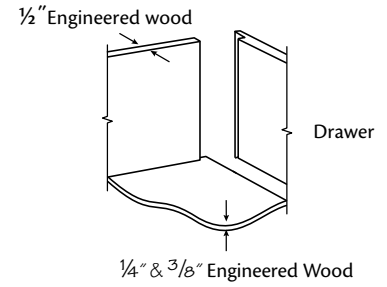
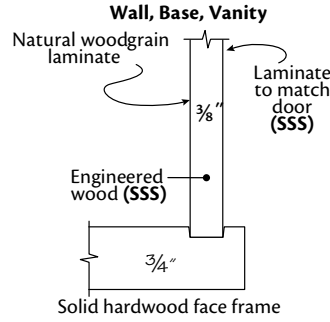
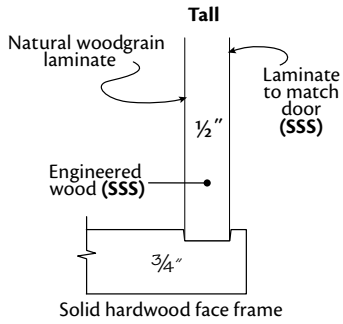
Construction Options Chart

	Standard Construction (SSS)	(SSS) Details	Standard Construction with Dovetail Drawers (SDS)	(SDS) Details
Face Frame	Solid Hardwood			
Wall, Base and Vanity End Panels	3/8" Engineered Wood	Ext. Finish: laminate to match door and frame Int. Finish: natural woodgrain laminate	3/8" Engineered Wood	Ext. Finish: laminate to match door and frame Int. Finish: natural woodgrain laminate
Tall End Panels	1/2" Engineered Wood		1/2" Engineered Wood	
Wall Tops and Bottoms	3/8" Engineered Wood	Ext. Finish: natural woodgrain laminate Int. Finish: natural woodgrain laminate	3/8" Engineered Wood	Ext. Finish: natural woodgrain laminate Int. Finish: natural woodgrain laminate
Tall Tops and Bottoms	1/2" Engineered Wood		1/2" Engineered Wood	
Base and Vanity Bottoms	3/8" Engineered Wood	Ext. Finish: unfinished Int. Finish: natural woodgrain laminate	3/8" Engineered Wood	Ext. Finish: unfinished Int. Finish: natural woodgrain laminate
Wall Backs	3/8" Engineered Wood	Ext. Finish: unfinished Int. Finish: natural woodgrain laminate	3/8" Engineered Wood	Ext. Finish: unfinished Int. Finish: natural woodgrain laminate
Base and Vanity Backs	1/4" Engineered Wood		1/4" Engineered Wood	
Tall Backs	1/4" Engineered Wood		1/4" Engineered Wood	
Base and Vanity I-Beams	3/8" Engineered Wood			
Shelves	1/2" Engineered Wood w/Clear Polycarbonate Shelf Supports	15 lbs. per sq. ft., 50 lbs. maximum load capacity	1/2" Engineered Wood w/Clear Polycarbonate Shelf Supports	15 lbs. per sq. ft., 50 lbs. maximum load capacity
Hinges	Nickel-finished, self-closing, 6-way adjustable			
Drawer Guides	3/4 extension side-mount drawer slide system	75 lbs. load capacity	Full extension, concealed, soft-close, undermount slide system	75 lbs. load capacity
Drawer Core/ Drawer Bottom	Core: 1/2" Engineered Wood Bottom: 1/4" Engineered Wood	Drawers 30" and wider have 3/8" Engineered Wood bottoms	Core: 5/8" Solid Hardwood Bottom: 3/16" 3-ply Plywood	Drawers 30" and wider have 3/16" 3-ply plywood bottom with wood center cleat for extra support
Toeboard Backer	3/8" Engineered Wood Toespace - 4 1/2" tall (Universal is 5 1/2" tall) x *3 1/8" Deep			
Roll-Out Trays (ROT)	1/2" Engineered or Solid Wood			

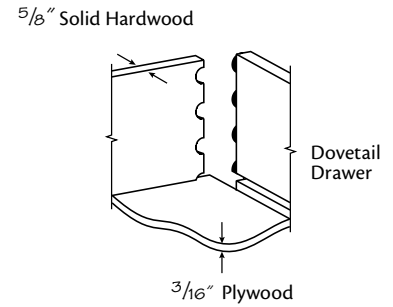
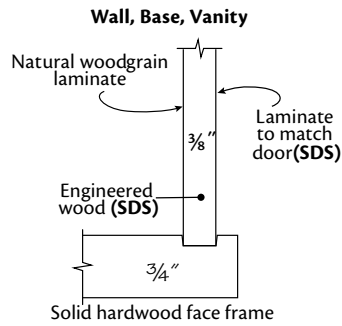
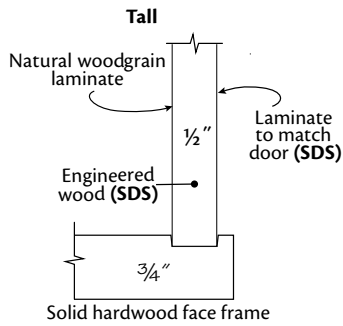
* **Not** including finished Toekick Cover

Construction Options Diagram

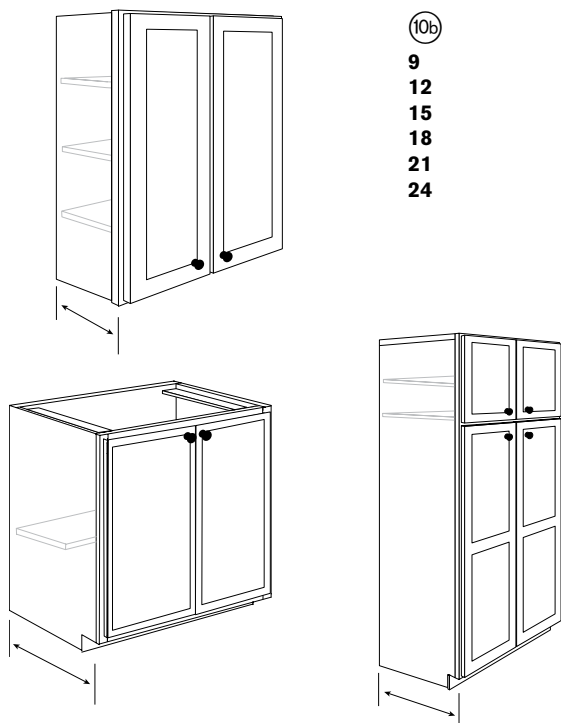
Standard Construction (SSS)



Standard Construction with Dovetail Drawers (SDS)



Depth Modification



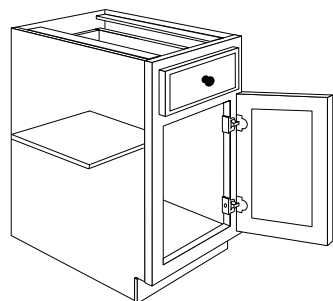
⑩b

- 9
- 12
- 15
- 18
- 21
- 24

- Some cabinets can be reduced or increased in depth to fit design requirements. See specific cabinet information for availability
- When this option is selected, Cabinet Front Only (CFO) and Frame Only (FRM) is no longer available
- Select trays are **not** available with this option. See individual cabinets for specific availability
- Cabinets that normally have drawers ordered less than 18" deep will be replaced with a false drawer front only

SSS ⑦	● 24 ⑩b
SDS ⑦	HDS ⑩d
● 09 ⑩b	FDS ⑩c
● 12 ⑩b	FT ⑩d
● 15 ⑩b	ST ⑩d
● 18 ⑩b	CFO ⑩g
● 21 ⑩b	CSO ⑩g
	FRM ⑩g

Half Depth Shelf



⑩d

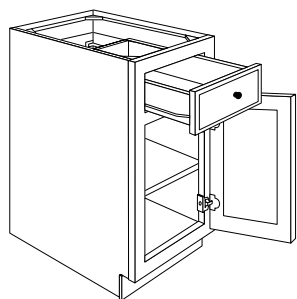
HDS

- 1/2" engineered wood with natural woodgrain laminate
- Standard shelf for most Base and Universal cabinets
- Half-depth shelves in Base cabinets 33" wide and wider have a matching full-length support apron secured to the underside near the front edge for additional support. Shelves are designed to support 15 lbs. per square foot, **not** to exceed 50 lbs. per shelf

SSS ⑦	24 ⑩b
SDS ⑦	❖ HDS ⑩d
09 ⑩b	FDS ⑩c
12 ⑩b	FT ⑩d
15 ⑩b	ST ⑩d
18 ⑩b	CFO ⑩g
21 ⑩b	CSO ⑩g
	FRM ⑩g

Full Depth Shelf

New



⑩d

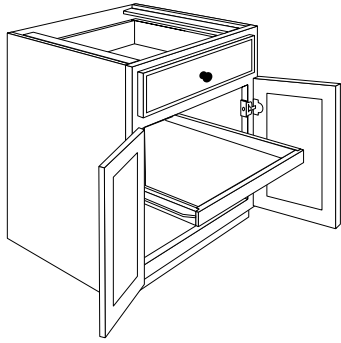
FDS

Grey color coding indicates new product, size or code.

- 3/4" engineered wood; 3/4" Plywood if All Plywood Construction with Dovetail Drawers Option (ADT) is selected
- Only available for Peninsula Base cabinets
- **Note:** When selected, replace HDS (10d) with FDS

SSS ⑦	24 ⑩b
SDS ⑦	HDS ⑩d
09 ⑩b	❖ FDS ⑩c
12 ⑩b	FT ⑩d
15 ⑩b	ST ⑩d
18 ⑩b	CFO ⑩g
21 ⑩b	CSO ⑩g
	FRM ⑩g

Standard Full-Width Trays

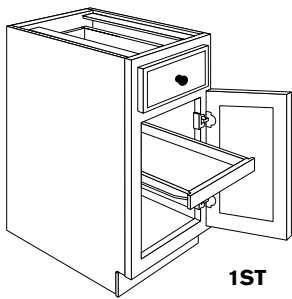


⑩d
1FT

- Standard tray spans the full-width of cabinet
- Standard trays sides and back are 1/2" inch engineered wood with 1/4" engineered wood bottom. Fronts are 3/4" solid hardwood
- Available in select Base cabinets
- Natural woodgrain laminate
- 3/4 extension side mount glide
- 75 lbs. capacity
- Shelves are omitted from cabinets when roll-out tray options are selected
- **Note: Not** available on cabinets reduced to 12" or 15" deep

SSS ⑦	24 ⑩b
SDS ⑦	HDS ⑩d
09 ⑩b	FDS ⑩d
12 ⑩b	● FT ⑩d
15 ⑩b	ST ⑩d
18 ⑩b	CFO ⑩g
21 ⑩b	CSO ⑩g
	FRM ⑩g

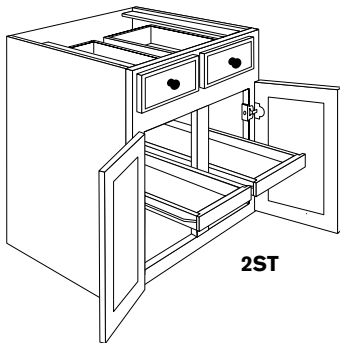
Standard Trays



⑩d
1ST
2ST

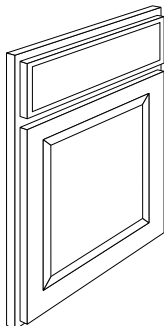
- Standard trays sides and back are 1/2" inch engineered wood with 1/4" engineered wood bottom. Fronts are 3/4" solid hardwood
- Available for most Base and Universal cabinets
- Natural woodgrain laminate
- 3/4 extension side mount glide
- 75 lbs. capacity
- Shelves are omitted from cabinets when roll-out tray options are selected
- **Note: Not** available on cabinets reduced to 12" or 15" deep

SSS ⑦	24 ⑩b
SDS ⑦	HDS ⑩d
09 ⑩b	FDS ⑩d
12 ⑩b	FT ⑩d
15 ⑩b	● ST ⑩d
18 ⑩b	CFO ⑩g
21 ⑩b	CSO ⑩g
	FRM ⑩g



2ST

Cabinet Front Only

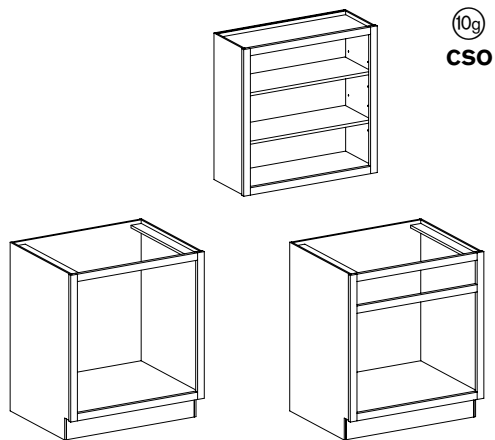


⑩g
CFO

- Available in standard Wall, Base, Vanity, and Tall sizes
- Front frame and appropriate doors and drawer fronts only
- Does **not** include toe kick
- **Note: Cannot** be combined with any depth modifications, tray or shelf options

SSS ⑦	24 ⑩b
SDS ⑦	HDS ⑩d
09 ⑩b	FDS ⑩d
12 ⑩b	FT ⑩d
15 ⑩b	ST ⑩d
18 ⑩b	● CFO ⑩g
21 ⑩b	CSO ⑩g
	FRM ⑩g

Case Only Option

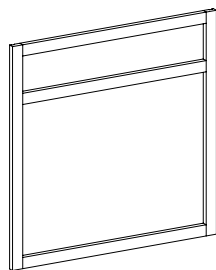


⑩g
CSO

- For Case Only (CSO) option on Walls:
 - Includes shelves, if applicable
 - Interior and shelves are natural woodgrain laminate
 - No doors or hinges
- For Case Only (CSO) option on Base, Base Drawer, Vanity, Vanity Drawer, Tall and Universal:
 - Includes cabinet box only
 - Does **not** include doors, drawer fronts, drawer cores, hinges, shelves, trays and slides
- Available on most cabinets, see individual models for exceptions
- Cabinets with revolving shelves will ship with revolving shelves; Base Corner Fixed Shelf (BCFS36) will ship with fixed shelf

SSS ⑦	24 ⑩b
SDS ⑦	HDS ⑩d
09 ⑩b	FDS ⑩d
12 ⑩b	FT ⑩d
15 ⑩b	ST ⑩d
18 ⑩b	CFO ⑩g
21 ⑩b	● CSO ⑩g
	FRM ⑩g

Frame Only Option



⑩g
FRM

- Face Frame only
- Does **not** include doors, drawer fronts, or hinges
- Available in standard wall, base, vanity, universal and tall sizes
- Cabinet face frames (FRM) are **not** available in all cabinets. Contact your Customer Service Representative for exceptions

SSS ⑦	24 ⑩b
SDS ⑦	HDS ⑩d
09 ⑩b	FDS ⑩d
12 ⑩b	FT ⑩d
15 ⑩b	ST ⑩d
18 ⑩b	CFO ⑩g
21 ⑩b	CSO ⑩g
	● FRM ⑩g

Wall Cabinets

Construction Options and Modifications

- ❖ Included as standard
- Available with an upcharge
- ☆ Available with exceptions

(Blank) **Not** available

SSS	Construction	-----	⑦
SDS	Construction	-----	⑦
09	Depth Modification	----	⑩b
15	Depth Modification	----	⑩b
18	Depth Modification	----	⑩b
21	Depth Modification	----	⑩b
24	Depth Modification	----	⑩b

Note: Standard wall cabinet box depth is 12" unless stated otherwise. Add door thickness with bumpers for total depth.

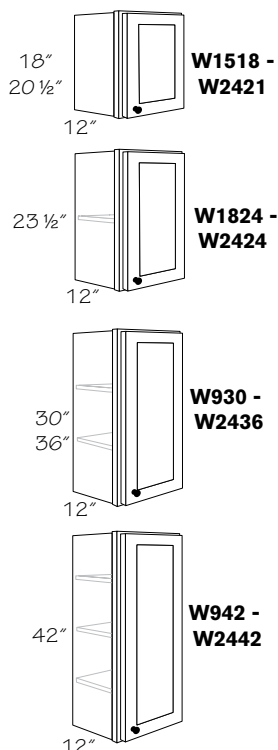
Caution: Installation of a wall cabinet 30" or wider requires additional support, such as attachment to a soffit, or support from below. Failure to provide additional support could result in collapse of the cabinet, serious personal injury, or property damage. Damage relating to failure to provide additional support is **not** covered by the limited warranty. See inside cover for warranty details

Any wall cabinet over 24" wide or 30" high with a depth greater than 12" and/or butt doors **must** be installed between two cabinets, a cabinet and a wall, or supported from below. Material dimensions may vary slightly based on lumber industry standards.

Specifications subject to change without notice.



Wall Single Door



⑩a	⑩c	⑩a	⑩c
Specify R or L 18" High		Specify R or L 36" High	
W1518 R or L		W936 R or L	
W1818 R or L		W1236 R or L	
W2418 R or L	†	W1536 R or L	
W2421 R or L	†	W1836 R or L	
		W2136 R or L	
		W2436 R or L	
		42" High	
		W942 R or L	
		W1242 R or L	
		W1542 R or L	
		W1842 R or L	
		W2142 R or L	
		W2442 R or L	
†		W1530 R or L	
†		W1830 R or L	
†		W2130 R or L	
†		W2430 R or L	

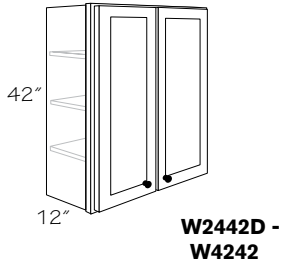
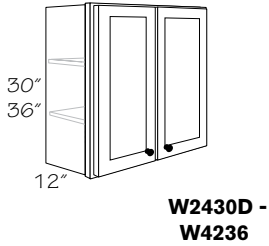
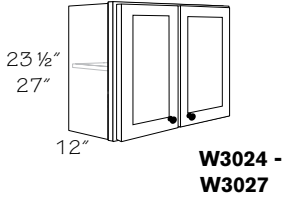
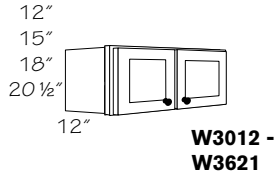
- 18" & 20 12" high cabinets have no shelves
- 23 1/2" high cabinets have one adjustable shelf
- 30" - 36" high cabinets have two adjustable shelves
- 42" high cabinets have three adjustable shelves
- Accessory Hinged Prep for Glass Door (PG) is available in select door styles and sizes. See Accessory Hinged Prep for Glass Door Information located in Replacement Parts>Hardware of this book
- Actual height of 21" cabinet is 20 1/2"
- Actual height of 24" cabinet is 23 1/2"

- ❖ SSS ⑦
- ❖ SDS ⑦
- 09 ⑩b
- 15 ⑩b
- 18 ⑩b
- 21 ⑩b
- 24 ⑩b

† Door size available with Accessory Hinged Prep for Glass Door (PG), in select door styles only

Grey color coding indicates new product, size or code.

Wall Double Door



⑩a

- 12" High
W3012
W3612
W3912
- 15" High
W3015
W3315
W3615
W3915
- 18" High
W3018
W3318
W3618
W3918
- 20 1/2" High
W3021
W3621
- 23 1/2" High
W3024
W3324
W3624
W3924
W4224
- 27" High
W3027

⑩a

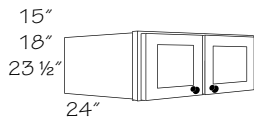
- 30" High
W2430D
W2730B
† **W3030**
† **W3330**
† **W3630**
W3930
† **W4230**
W4530
† **W4830**
- 36" High
W2436D
W2736B
† **W3036**
† **W3336**
† **W3636**
W3936
† **W4236**
- 42" High
W2442D
W2742B
† **W3042**
† **W3342**
† **W3642**
W3942
† **W4242**

- 12" - 20 1/2" high cabinets have no shelves
- 23 1/2" and 27" high cabinets have one adjustable shelf
- 30" - 36" high cabinets have two adjustable shelves
- 42" high cabinets have three adjustable shelves
- Cabinets with a "B" suffix have BUTT doors without a center stile
- Accessory Hinged Prep for Glass Door (PG) is available in select door styles and sizes. See Accessory Hinged Prep for Glass Door Information located in Replacement Parts>Hardware of this book
- Actual height of 21" cabinet is 20 1/2"
- Actual height of 24" cabinet is 23 1/2"

- ❖ SSS ⑦
- ❖ SDS ⑦
- 09 ⑩b
- 15 ⑩b
- 18 ⑩b
- 21 ⑩b
- 24 ⑩b

† Door size available with Accessory Hinged Prep for Glass Door (PG), in select door styles only

Wall Refrigerator



⑩a

- 15" High
WR3315
WR3615
WR3915
- 18" High
WR3318
WR3618
WR3918
- 23 1/2" High
WR3324
WR3624
WR3924

- No shelf
- Designed for use over refrigerators where there is adequate clearance
- Actual height of 24" cabinet is 23 1/2"

Caution: Additional support is required. See installation sheet provided with the Framed Cabinet Installation Guide

- ❖ SSS ⑦
- ❖ SDS ⑦
- 09 ⑩b
- 15 ⑩b
- 18 ⑩b
- 21 ⑩b
- 24 ⑩b

Wall Corner Cabinets

Construction Options and Modifications

- ❖ Included as standard
- Available with an upcharge
- ☆ Available with exceptions

(Blank) **Not** available

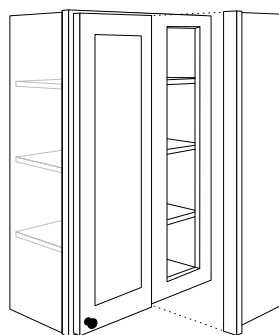
SSS	Construction	-----	⑦
SDS	Construction	-----	⑦
09	Depth Modification	----	⑩b
15	Depth Modification	----	⑩b
18	Depth Modification	----	⑩b
21	Depth Modification	----	⑩b
24	Depth Modification	----	⑩b

⑩a

⑩c

WBC24/2730 BR

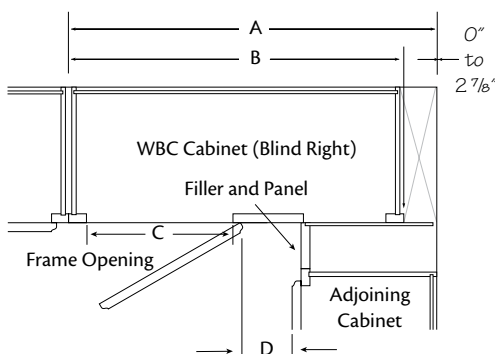
Wall Blind Corner Cabinet Information



Wall Blind Corner Cabinet
Blind Right (BR) shown

- Wall blind corner cabinets provide access to corner space and permits adjustability of up to 2 7/8" maximum to aid in kitchen cabinet layout. Consult chart for "pull" dimensions and minimum wall space requirements.
- "Pulling" the cabinet away from the corner (2 7/8" maximum), and using the supplied filler and panel provides clearance for opening doors when decorative hardware is used.
- BR or BL indicates blind end of cabinet. Please specify.
- Door hinged on same side as blind
- Cabinets may be changed from right to left blind by inverting cabinet.
- **Note:** A 3" Wall Filler and Blind Panel is included with each WBC cabinet ordered, shipped unattached.

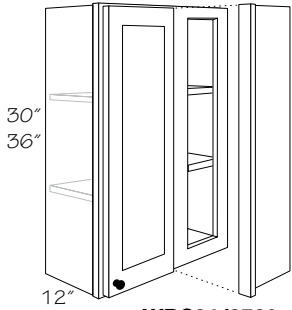
Wall Blind Corner



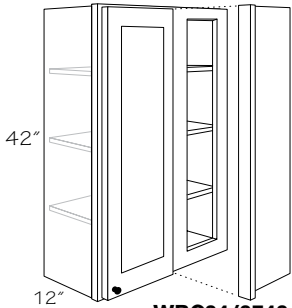
Wall Blind Corner	Partial Overlay						Full Overlay					
	(A) Wall Space		(B) Cabinet Width	(C) Frame Opening	(D) Door Hardware Clearance		(A) Wall Space		(B) Cabinet Width	(C) Frame Opening	(D) Door Hardware Clearance	
	No Pull	Max Pull			No Pull	Max Pull	No Pull	Max Pull			No Pull	Max Pull
WBC24/27	24"	26 7/8"	24"	7 1/2"	1 1/2"	4 3/8"	24"	26 7/8"	24"	7 1/2"	13/16"	3 1/16"
WBC30/33	30"	32 7/8"	30"	13 1/2"	1 1/2"	4 3/8"	30"	32 7/8"	30"	13 1/2"	13/16"	3 1/16"
WBC33/36	33"	35 7/8"	33"	16 1/2"	1 1/2"	4 3/8"	33"	35 7/8"	33"	16 1/2"	13/16"	3 1/16"
WBC36/39	36"	38 7/8"	36"	19 1/2"	1 1/2"	4 3/8"	36"	38 7/8"	36"	19 1/2"	13/16"	3 1/16"
WBC39/42	39"	41 7/8"	39"	10 1/2", 9"	1 1/2"	4 3/8"	39"	41 7/8"	39"	10 1/2", 9"	13/16"	3 1/16"
WBC42/45	42"	44 7/8"	42"	10 1/2", 12"	1 1/2"	4 3/8"	42"	44 7/8"	42"	10 1/2", 12"	13/16"	3 1/16"
WBC48/51	48"	50 7/8"	48"	13 1/2", 15"	1 1/2"	4 3/8"	48"	50 7/8"	48"	13 1/2", 15"	13/16"	3 1/16"

Wall Blind Corner Single Door

Blind Right (BR) shown



**WBC24/2730 -
WBC36/3936**



**WBC24/2742 -
WBC36/3942**

⑩a

Specify BR or BL
30" High

- WBC24/2730 BR or BL**
- † **WBC30/3330 BR or BL**
- WBC33/3630 BR or BL**
- WBC36/3930 BR or BL**

36" High

- WBC24/2736 BR or BL**
- † **WBC30/3336 BR or BL**
- WBC36/3936 BR or BL**

42" High

- WBC24/2742 BR or BL**
- † **WBC30/3342 BR or BL**
- WBC36/3942 BR or BL**

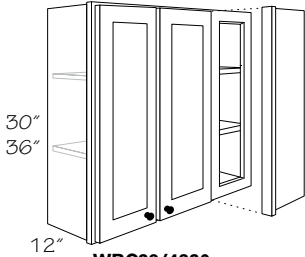
† Door size available with Accessory Hinged Prep for Glass Door (PG), in select door styles only

- 30" - 36" high cabinets have two adjustable shelves
- 42" high cabinets have three adjustable shelves
- Door hinged to center stile
- Do **not** pull cabinet more than 2 7/8" from corner
- Accessory Hinged Prep for Glass Door (PG) is available in select door styles and sizes. See Accessory Hinged Prep for Glass Door Information located in Replacement Parts>Hardware of this book
- Invertable for L or R blind corner
- **Note:** Blind Panel with 3" filler included, shipped unattached

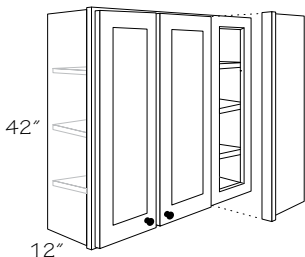
- ❖ **SSS** ⑦
- ❖ **SDS** ⑦
- **09** ⑩b
- **15** ⑩b
- **18** ⑩b
- **21** ⑩b
- **24** ⑩b

Wall Blind Corner Double Door

Blind Right (BR) shown



**WBC39/4230-
WBC42/4536**



**WBC39/4242-
WBC42/4542**

⑩a

Specify BR or BL
30" High

- WBC39/4230 BR or BL**
- WBC42/4530 BR or BL**
- WBC48/5130 BR or BL**

36" High

- WBC39/4236 BR or BL**
- WBC42/4536 BR or BL**

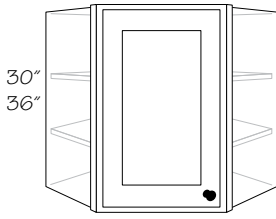
42" High

- WBC39/4242 BR or BL**
- WBC42/4542 BR or BL**

- 30" - 36" high cabinets have two adjustable shelves
- 42" high cabinets have three adjustable shelves
- Two different width doors; the narrower is located next to the blind panel
- Do **not** pull cabinet more than 2 7/8" from corner
- Invertable for L or R blind corner
- **Note:** Blind Panel with 3" filler included, shipped unattached

- ❖ **SSS** ⑦
- ❖ **SDS** ⑦
- **09** ⑩b
- **15** ⑩b
- **18** ⑩b
- **21** ⑩b
- **24** ⑩b

Wall Angle Single Door



30"
36"

WA2430-WA2736

10a

Specify R or L
30" High

† **WA2430 R or L** † **WA2436 R or L**
 † **WA2730 R or L** † **WA2736 R or L**

10c

Specify R or L
36" High

† **WA2436 R or L** † **WA2736 R or L**
 † **WA2736 R or L**

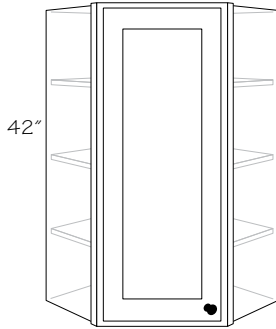
42" High

† **WA2442 R or L** † **WA2742 R or L**

† Door size available with Accessory Hinged Prep for Glass Door (PG), in select door styles only

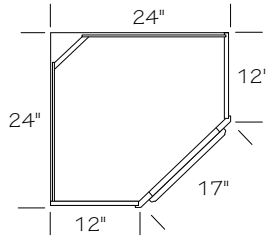
- 30" - 36" high cabinets have two adjustable shelves
- 42" high cabinets have three adjustable shelves
- Back corner removed for easy installation
- Full and Traditional overlay door widths are similar to avoid interference with adjacent cabinet doors
- Adjacent cabinets can be installed directly without fillers
- Accessory Hinged Prep for Glass Door (PG) is available in select door styles and sizes. See Accessory Hinged Prep for Glass Door Information located in Replacement Parts>Hardware of this book

❖ SSS	7
❖ SDS	7
09	10b
15	10b
18	10b
21	10b
24	10b

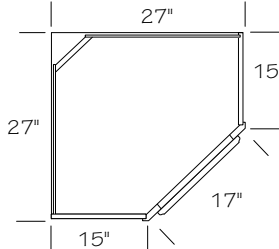


42"

WA2442 - WA2742



WA24__



WA27__

Wall Open Cabinets

Construction Options and Modifications

SSS	Construction - - - - -	(7)
SDS	Construction - - - - -	(7)
09	Depth Modification - - - - -	(10b)
15	Depth Modification - - - - -	(10b)
18	Depth Modification - - - - -	(10b)
21	Depth Modification - - - - -	(10b)
24	Depth Modification - - - - -	(10b)

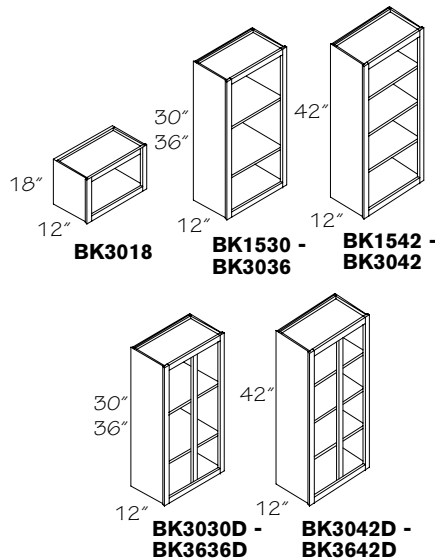
(10a)

BK3018

- ❖ Included as standard
 - Available with an upcharge
 - ☆ Available with exceptions
- (Blank) **Not** available

Caution: Bookcases are typically subjected to extreme weight. Additional support is required. Wall hung applications **must** be limited to 15 lbs. per square foot of shelf area; **not** to exceed 50 lbs. per shelf.

Specifications subject to change without notice.



Bookcase Cabinets

(10a)

- 18" High
BK3018
30" High
BK1530
BK1830
BK2130
BK2430
BK3030

(10a)

- 36" High
BK1536
BK1836
BK2136
BK2436
BK3036
42" High
BK1542
BK1842
BK2142
BK2442
BK3042

(10a)

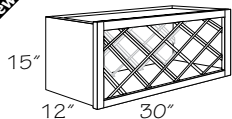
- With Frame
Center Stile
30" High
BK3030D
BK3630D
36" High
BK3036D
BK3636D
42" High
BK3042D
BK3642D

- 18" high bookcases have no shelves
- 30" and 36" high bookcases have two adjustable shelves
- 42" high bookcases have three adjustable shelves
- 3/4" thick shelves
- Matching interior
- Vertical wood grain back panel; except for painted finishes
- Includes low profile clear polycarbonate shelf supports in addition to hold-down style supports used for shipping
- **Note:** Cabinet Front Only (CFO), Case Only (CSO), and Frame Only (FRM) options are **not** available

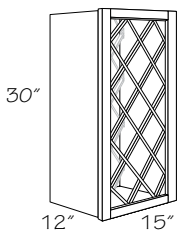
❖ SSS	(7)
❖ SDS	(7)
● 09	(10b)
● 15	(10b)
● 18	(10b)
● 21	(10b)
● 24	(10b)

Grey color coding indicates new product, size or code.

New



WL3015
(horizontal)



WL1530
(vertical)

Wall Lattice

(10a)

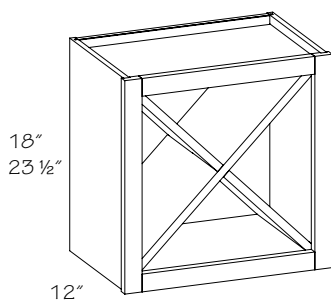
- 15" High
WL3015 11 Bottles
30" High
WL1530 11 Bottles

Grey color coding indicates new product, size or code.

- Matching laminate interior
- Vertical wood grain back panel; except for painted finishes
- Lattices are finished to match
- Lattice in painted finishes are painted hardwood
- Lattices are **not** removable
- 4" x 4" bottle openings

❖ SSS	(7)
❖ SDS	(7)
● 09	(10b)
● 15	(10b)
● 18	(10b)
● 21	(10b)
● 24	(10b)

Wine Storage Cabinet



(10a)

- WSC1818**
WSC2424

- Matching interior
- Actual height of 24" cabinet is 23 1/2"
- Requires additional support. Installation between two cabinets or cabinet and wall recommended.
- Vertical wood grain back panel; except for painted finishes
- Cross member **cannot** be removed
- **Note:** Cabinet Front Only (CFO), Case Only (CSO), and Frame Only (FRM) options are **not** available

❖ SSS	(7)
❖ SDS	(7)
● 09	(10b)
● 15	(10b)
● 18	(10b)
● 21	(10b)
● 24	(10b)

Wall Appliance Cabinets

SSS Construction ----- (7)

SDS Construction ----- (7)

Construction Options and Modifications

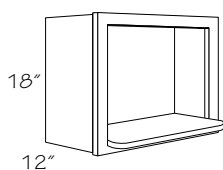
- ❖ Included as standard
- Available with an upcharge
- ☆ Available with exceptions

(Blank) **Not** available

(10a)

WMS301812

Wall Microwave Shelf



(10a)

12" Deep
WMS301812

- 3/4" thick shelf extends 3 25/32" beyond face frame of cabinet ❖ SSS (7)
- Matching interior ❖ SDS (7)
- Shelf shipped unattached for easier installation; mounting hardware included
- Vertical wood grain back panel; except for painted finishes
- Designed for countertop style microwaves
- **Note: Must** be installed between two cabinets or between cabinet and side wall

Cabinet	Opening Sizes
WMS301812	27" W x 14 1/4" H x 15" D (shelf)

Wall Accessories

BR Birch ----- (2)
 LM Laminate ----- (2)

Construction Options and Modifications

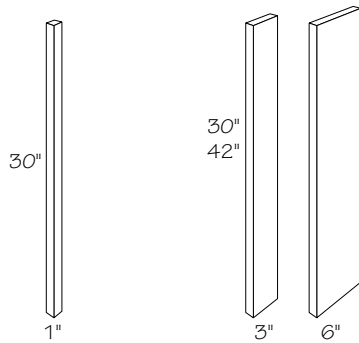
- ❖ Included as standard
- Available with an upcharge
- ☆ Available with exceptions

(Blank) **Not** available

(10a)

WEP30

Wall Filler



(10a)

- 1" Wide*
WF1-30
WF1-30-6
- 3" Wide*
WF3-30
WF3-30-6
WF3-42
WF3-42-6

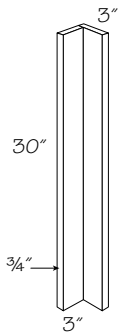
(10a)

- 6" Wide*
WF6-30
WF6-30-6
WF6-42
WF6-42-6

- 3/4" thick solid wood
- Available in all finishes
- Cotton and White are painted hardwood
- Finished on face surface only
- Offered individually or six per carton

❖ BR (2)
 ❖ LM (2)

Wall Filler Corner



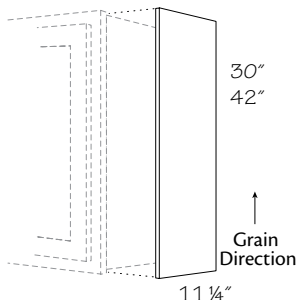
(10a)

WFC3-30

- 3" on each face
- 3/4" thick solid wood
- Available in all finishes
- Cotton and White are painted hardwood
- Finished on face surface only
- One per carton

❖ BR (2)
 ❖ LM (2)

Wall End Panel



(10a)

- 11 1/4" Wide Veneer*
- **WEP30**
 - **WEP30-10**
 - **WEP42**
 - **WEP42-10**
- 11 1/4" Wide Paper Laminate*
- **WEP30P**
 - **WEP30P-10**
 - **WEP42P**
 - **WEP42P-10**

■ Cotton and White are painted veneer

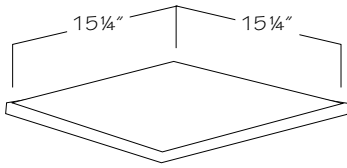
- Used to trim or flush out laminate exposed end of wall cabinet
- For right or left hand use
- Veneer: 5/32" thick panel, finished on one side; grain runs lengthwise
- Laminate: 1/8" thick panel, laminate on front side, back side unfinished
- Available in all finishes
- 42" panels trimmable for 36" wall cabinets
- Offered individually or 10 per carton

❖ BR (2)
 ❖ LM (2)

Wall Corner Closure

10a

WCC



- Easy to clean natural wood grain laminate; laminated two sides
- 1/2" thick engineered wood core
- **Not** available in White
- One per carton

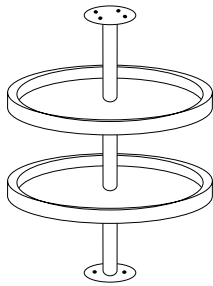
❖ BR 2

❖ LM 2

Lazy Susan Shelf Kit

10a

LS2



- Two 18" diameter white plastic independently revolving shelves
- Center post adjusts from 26" to 31" in height
- Designed to fit WA2430, WA2436, and WA2442 cabinets
- WA2436 and WA2442 cabinets require top adjustable shelf to be installed for post mounting
- One per carton

BR 2

LM 2

Notes

Base Cabinets

Construction Options and Modifications

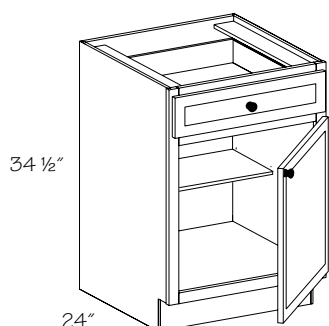
- ❖ Included as standard
- Available with an upcharge
- ☆ Available with exceptions

(Blank) **Not** available

SSS	Construction	-----	(7)
SDS	Construction	-----	(7)
12	Depth Modification	-----	(10b)
15	Depth Modification	-----	(10b)
18	Depth Modification	-----	(10b)
21	Depth Modification	-----	(10b)
HDS	Half Depth Shelf	-----	(10d)
FDS	Full Depth Shelf	-----	(10d)
FT	Standard Full Width Trays	-----	(10d)
ST	Standard Trays	-----	(10d)

(10a) (10c) (10d)
B15 **L** **HDS**

Base Single Door



(10a) (10c) (10d)

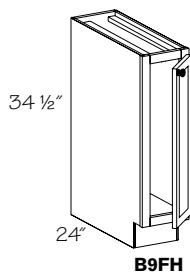
Specify R or L

B12	R or L	HDS
B15	R or L	HDS
B18	R or L	HDS
B21	R or L	HDS
B24	R or L	HDS

- Standard height top drawer
- Back panel is pre-drilled for accessory Base Tray Kits (BTK); only available on 21" and 24" deep cabinets
- ☆ Tray options are available for cabinets with select depth modifications. See Construction Options for specifics
- ☆ **Note:** When depth is reduced to 12" or 15", drawers become a false drawer front
- **Note:** For tray or shelf options for select cabinets, replace HDS (10d) with the option code of your choice

❖ SSS (7)	● 21 (10b)
● SDS (7)	❖ HDS (10d)
☆ 12 (10b)	FDS (10d)
☆ 15 (10b)	FT (10d)
● 18 (10b)	☆ ST (10d)

Base Single Door Full-Height



34 1/2"

24"

B9FH

(10a) (10c) (10d)

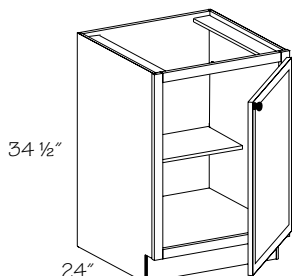
Specify R or L
 24" Deep

▲ B9FH	R or L	
B12FH	R or L	HDS
B15FH	R or L	HDS
B18FH	R or L	HDS
B21FH	R or L	HDS
B24FH	R or L	HDS

▲ **Not** available with tray or shelf options

- B9FH has no shelf
- Back panel is pre-drilled for accessory Base Tray Kits (BTK); only available on 21" and 24" deep cabinets

❖ SSS (7)	● 21 (10b)
❖ SDS (7)	❖ HDS (10d)
● 12 (10b)	FDS (10d)
● 15 (10b)	FT (10d)
● 18 (10b)	☆ ST (10d)

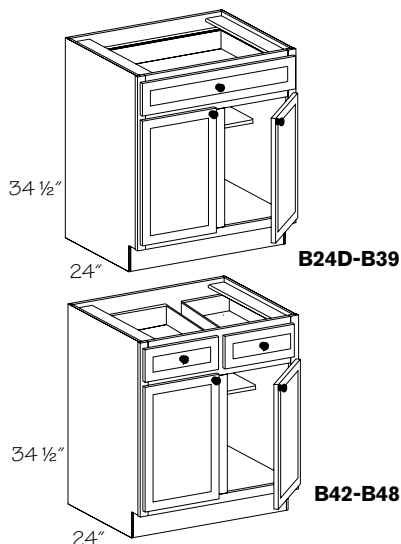


34 1/2"

24"

**B12FH-
B24FH**

Base Double Door



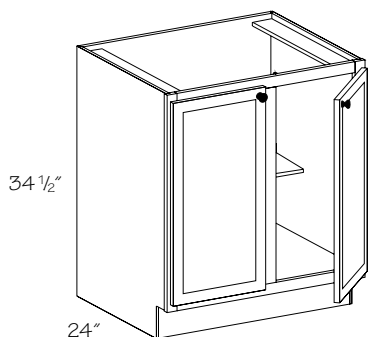
- | | | | | | |
|------------|-------------|-------------|----|------------|-----|
| ⑩a | ⑩c | ⑩a | ⑩c | | |
| One Drawer | | Two Drawers | | | |
| + | B24D | HDS | + | B42 | HDS |
| ■ | B27B | HDS | + | B45 | HDS |
| + | B30 | HDS | + | B48 | HDS |
| + | B33 | HDS | | | |
| + | B36 | HDS | | | |
| + | B39 | HDS | | | |

- + Standard Tray (ST) option only
- Full Width Tray (FT) option only

- Standard height top drawers
- B24D-B39 have one standard full-width drawer
- B42-B48 have two standard drawers
- ☆ Tray options are available for cabinets with select depth modifications. See Construction Options for specifics
- Back panel is pre-drilled for accessory Base Tray Kits (BTK); only available on 21" and 24" deep cabinets
- Cabinets with a "B" suffix have BUTT doors without a center stile
- ☆ **Note:** When depth is reduced to 12" or 15", drawers become a false drawer front
- **Note:** For tray or shelf options for select cabinets, replace HDS (10d) with the option code of your choice

❖ SSS ⑦	● 21 ⑩b
● SDS ⑦	❖ HDS ⑩c
☆ 12 ⑩b	● FDS ⑩c
☆ 15 ⑩b	☆ FT ⑩c
● 18 ⑩b	☆ ST ⑩c

Base Double Door Full-Height

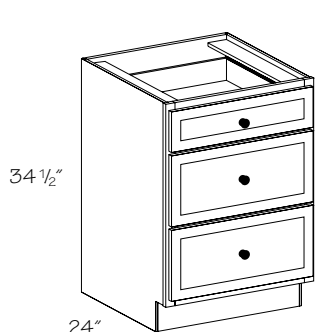


- | | |
|---------------|-----|
| ⑩a | ⑩d |
| 24" Deep | |
| B27BFH | HDS |
| B30FH | HDS |
| B33FH | HDS |
| B36FH | HDS |
| B39FH | HDS |
| B42FH | HDS |
| B48FH | HDS |

- Cabinets with a "B" suffix have BUTT doors without a center stile
- Two full-height doors
- Back panel is pre-drilled for accessory Base Tray Kits (BTK); only available on 21" and 24" deep cabinets

❖ SSS ⑦	● 21 ⑩b
❖ SDS ⑦	❖ HDS ⑩c
● 12 ⑩b	● FDS ⑩c
● 15 ⑩b	● FT ⑩c
● 18 ⑩b	● ST ⑩c

Base Three Drawer

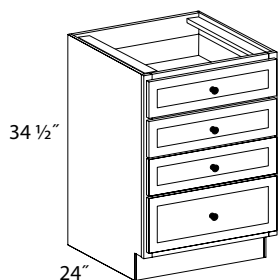


- | |
|-----------------------|
| ⑩a |
| 3/4 Extension Drawer |
| BD12-3D |
| BD15-3D |
| BD18-3D |
| BD21-3D |
| BD24-3D |
| Full Extension Drawer |
| BD30-3D |
| BD36-3D |

- One standard height drawer on top
- Two deep drawers on bottom
- Cabinets BD12-3D to BD24-3D in SSS construction will have 3/4 extension epoxy side mount slides on all three drawers. SDS construction will have full-extension undermount soft-close slides on all three drawers
- Cabinets BD30-3D to BD36-3D in SSS construction will have standard 3/4 extension side mount slides on top drawer and full-extension ball bearing side mount slides on deep drawers. SDS construction will have full-extension undermount soft-close slides on all three drawers
- Cabinets BD30-3D to BD36-3D in SSS construction reduced depth to 18", will have all epoxy side mounted standard slides on all drawers
- **Note:** See frame dimensions in the Cabinet Specifications section for drawer opening heights

❖ SSS ⑦	● 21 ⑩b
● SDS ⑦	● HDS ⑩c
12 ⑩b	● FDS ⑩c
15 ⑩b	● FT ⑩c
● 18 ⑩b	● ST ⑩c

Base Four Drawer



- | |
|----------------|
| ⑩a |
| BD12-4D |
| BD15-4D |
| BD18-4D |
| BD21-4D |
| BD24-4D |

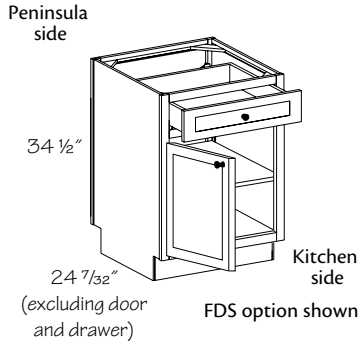
- Three standard height drawers
- One deep drawer on bottom
- **Note:** See frame dimensions in the Cabinet Specifications section for drawer opening heights

❖ SSS ⑦	● 21 ⑩b
● SDS ⑦	● HDS ⑩c
12 ⑩b	● FT ⑩c
15 ⑩b	● ST ⑩c
● 18 ⑩b	

Grey color coding indicates new product, size or code.

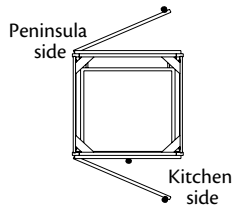
New

Peninsula Base Single Door



10a 10d
PB18 FDS
PB24 FDS

Grey color coding indicates new product, size or code.

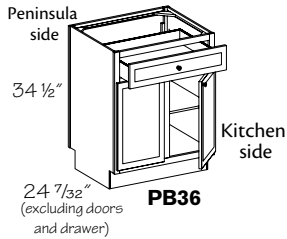


- One standard height full-width drawer opens on kitchen side
- Peninsula side has one full-width false drawer front above door
- Each side has one door hinged at the same end of cabinet
- Door hinged left on kitchen side
- **Note:** Full depth shelf (FDS) option **must** be selected for this cabinet
- **Note:** Because these cabinets do **not** have back panels, it is **not** recommended to use Peninsula Base cabinets in island applications. Failure to follow this limitation could cause serious injury and will void the product warranty

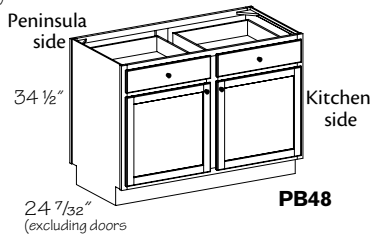
❖ SSS 7	21 10b
● SDS 7	HDS 10d
12 10b	❖ FDS 10d
15 10b	FT 10d
18 10b	ST 10d

New

Peninsula Base Double Door



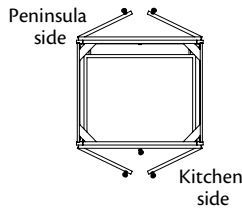
PB36



PB48

10a 10d
PB36 FDS
PB48 FDS

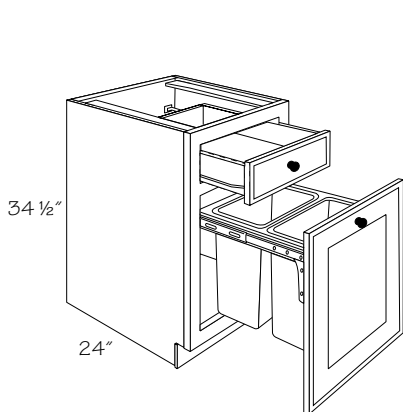
Grey color coding indicates new product, size or code.



- Kitchen side has standard height full-width drawer(s); Peninsula side has false drawer front(s) above door
- Each side has two doors
- **Note:** Full depth shelf (FDS) option **must** be selected for this cabinet
- **Note:** Because these cabinets do **not** have back panels, it is **not** recommended to use Peninsula Base cabinets in island applications. Failure to follow this limitation could cause serious injury and will void the product warranty

❖ SSS 7	21 10b
● SDS 7	HDS 10d
12 10b	❖ FDS 10d
15 10b	FT 10d
18 10b	ST 10d

Base Wastebasket Top Mount



10a
BWBT18

- One standard height full-width drawer
- Door is attached to wastebasket assembly and is pulled open to access baskets
- Top mounted wastebasket assembly rolls out on full-extension ball-bearing slides
- Includes two 35 qt. white plastic baskets which are easily removable for emptying and cleaning
- Baskets rest on solid wood platform
- 35 qt. basket size is 10 1/2" x 14 5/8" x 18" tall
- **Note:** Cabinet Front Only (CFO), Case Only (CSO), and Frame Only (FRM) options are **not** available

❖ SSS 7	21 10b
● SDS 7	HDS 10d
12 10b	FDS 10d
15 10b	FT 10d
18 10b	ST 10d

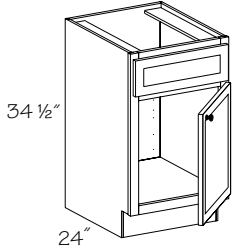
Base Sink Cabinets

Construction Options and Modifications

10a SB12 10c L

- ❖ Included as standard
- Available with an upcharge
- ☆ Available with exceptions
- (Blank) **Not** available

- SSS Construction ----- (7)
- SDS Construction ----- (7)
- 12 Depth Modification ----- (10b)
- 15 Depth Modification ----- (10b)
- 18 Depth Modification ----- (10b)
- 21 Depth Modification ----- (10b)

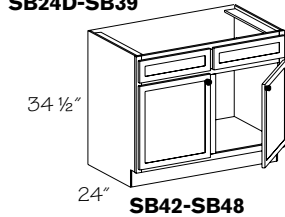
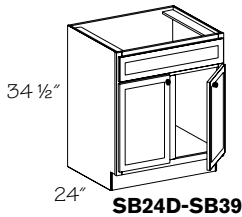


Sink Base Single Door

10a 10c
Specify R or L
SB12 R or L
SB15 R or L
SB18 R or L
SB21 R or L
SB24 R or L

- No shelf
- One full-width false drawer front
- Back panel is pre-drilled for accessory Base Tray Kits (BTK); only available on 21" and 24" deep cabinets

- ❖ SSS (7)
- ❖ SDS (7)
- 12 (10b)
- 15 (10b)
- 18 (10b)
- 21 (10b)

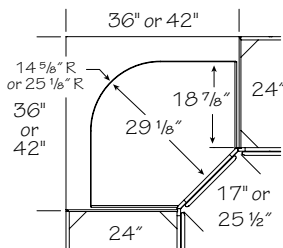
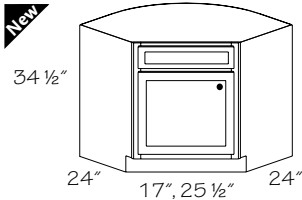


Sink Base Double Door

10a
SB24D
SB27B
SB30
SB33
SB36
SB39
SB42
SB45
SB48

- No shelf
- One full-width false drawer front above doors except SB42, SB45, and SB48 which have two drawer fronts
- Cabinets with a "B" suffix have BUTT doors without a center stile
- Back panel is pre-drilled for accessory Base Tray Kits (BTK); only available on 21" and 24" deep cabinets

- ❖ SSS (7)
- ❖ SDS (7)
- 12 (10b)
- 15 (10b)
- 18 (10b)
- 21 (10b)



Sink Base Angle

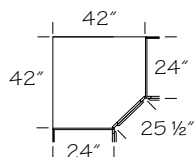
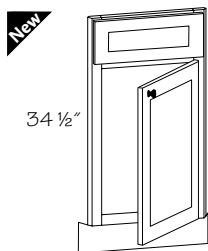
10a 10c
Specify R or L
SBA36 R or L
SBA42 R or L

Grey color coding indicates new product, size or code.

Caution: If cabinet is installed next to an appliance deeper than 25", it may interfere with the cabinet door opening. Options available: A) Use a filler between cabinet and appliance, B) Pull cabinet even with appliance front, which will result in a deeper countertop and overall base cabinet depth dimension

- One full-width false drawer front above door
- Full overlay sink front door and false drawer front are similar in width to traditional overlay cabinets in order to avoid interference with adjacent cabinet doors. This exposes more of the cabinet face frame
- Top panel **must** be cut in field to receive sink
- Use Base End Panel Filler (BEPF3) if end is exposed (requires 3" of space)
- 29 1/4" minimum doorway clearance required for delivery with cabinet door removed
- Adjacent cabinets can be installed directly without fillers

- ❖ SSS (7)
- ❖ SDS (7)
- 12 (10b)
- 15 (10b)
- 18 (10b)
- 21 (10b)



Sink Front Angle

10a 10c
Specify R or L
SFA42 R or L

Grey color coding indicates new product, size or code.

- One full-width false drawer front above door
- Full overlay sink front door and false drawer front are similar in width to traditional overlay cabinets in order to avoid interference with adjacent cabinet doors. This exposes more of the cabinet face frame
- Toespace (toe kick backer assembly) included, shipped unattached
- Bottom panel **not** included, order separately. See Sink Front Diagonal Bottom (SFDB2442)

- ❖ SSS (7)
- ❖ SDS (7)
- 12 (10b)
- 15 (10b)
- 18 (10b)
- 21 (10b)

Base Corner Cabinets

Construction Options and Modifications

- ❖ Included as standard
- Available with an upcharge
- ☆ Available with exceptions

(Blank) **Not** available

- SSS Construction ----- (7)
- SDS Construction ----- (7)
- 12 Depth Modification ----- (10b)
- 15 Depth Modification ----- (10b)
- 18 Depth Modification ----- (10b)
- 21 Depth Modification ----- (10b)
- HDS Half Depth Shelf ----- (10d)

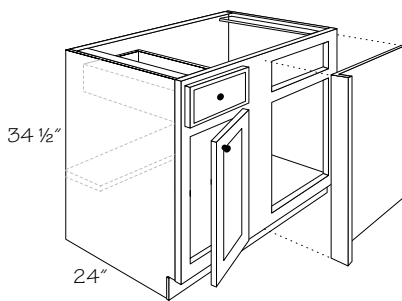
(10a)

BBC36/39FH

BR

(10d)

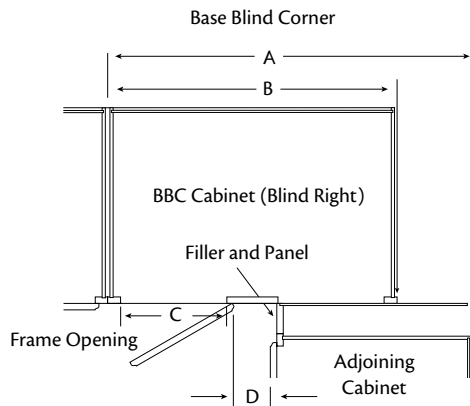
HDS



Base Blind Corner Cabinet Blind Right (BR) shown

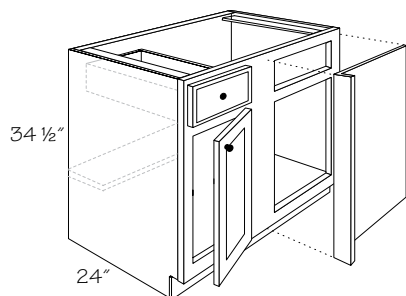
Base Blind Corner Cabinet Information

- Base blind corner cabinets provide access to corner space and permit adjustability of up to 2 7/8" maximum to aid in kitchen layout. Consult chart for "pull" dimensions and minimum wall space requirements
- "Pulling" the cabinet away from the corner (adding up to 2 7/8" maximum to the void area), and using the supplied filler and panel, provides clearance for opening doors and drawers when decorative hardware is used
- BR or BL indicates blind end of cabinet. Please specify.
- Door hinged on same side as blind
- Blind side **must** be ordered left or right (**Not** field convertible)
- Full overlay products **must** be pulled the maximum 2 7/8" for proper hardware clearance for drawer and roll-out trays of adjoining cabinet
- **Note:** A 3" Base Filler and Blind Panel is included with each BBC cabinet ordered, shipped unattached

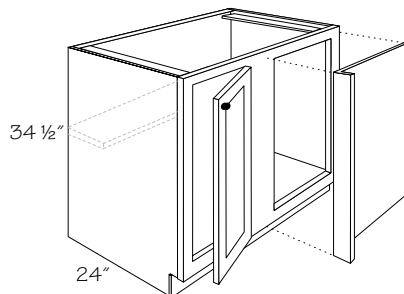


Base Blind Corner	Traditional Overlay						
	(A) Wall Space		(B) Cabinet Width	(C) Frame Opening		(D) Door Hardware Clearance	
	No Pull	Max Pull		Drawer Opening	Door Opening	No Pull	Max Pull
BBC36/39	36"	38 7/8"	24"	7 1/2" W x 5" H	7 1/2" W x 20 1/2" H	1 1/2"	4 3/8"
BBC39/42	39"	41 7/8"	30"	10 1/2" W x 5" H	10 1/2" W x 20 1/2" H	1 1/2"	4 3/8"
BBC42/45	42"	44 7/8"	36"	13 1/2" W x 5" H	13 1/2" W x 20 1/2" H	1 1/2"	4 3/8"
BBC45/48	45"	47 7/8"	42"	16 1/2" W x 5" H	16 1/2" W x 20 1/2" H	1 1/2"	4 3/8"
BBC48/51	48"	50 7/8"	48"	19 1/2" W x 5" H	19 1/2" W x 20 1/2" H	1 1/2"	4 3/8"
Full Overlay							
BBC36/39	36"	38 7/8"	24"	7 1/2" W x 5" H	7 1/2" W x 20 1/2" H	13/16"	3 11/16"
BBC39/42	39"	41 7/8"	30"	10 1/2" W x 5" H	10 1/2" W x 20 1/2" H	13/16"	3 11/16"
BBC42/45	42"	44 7/8"	36"	13 1/2" W x 5" H	13 1/2" W x 20 1/2" H	13/16"	3 11/16"
BBC45/48	45"	47 7/8"	42"	16 1/2" W x 5" H	16 1/2" W x 20 1/2" H	13/16"	3 11/16"
BBC48/51	48"	50 7/8"	48"	19 1/2" W x 5" H	19 1/2" W x 20 1/2" H	13/16"	3 11/16"

Base Blind Corner



Blind Right (BR)
BBC39/42 BR or BL-
BBC48/51 BR or BL



Blind Right (BR)
BBC36/39FH BR or BL

⑩a

Specify BR or BL

BBC39/42 BR or BL HDS
BBC42/45 BR or BL HDS
BBC45/48 BR or BL HDS
BBC48/51 BR or BL HDS

Full height door

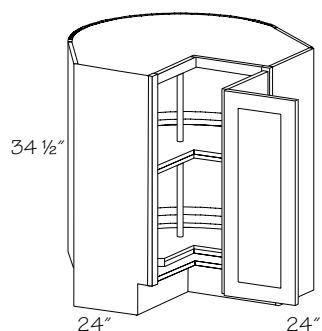
BBC36/39FH BR or BL HDS

⑩d

- Standard height top drawer, except BBC36/39FH which does *not* have a drawer
- Door hinged to center stile
- Do *not* pull cabinet more than 2 7/8". This is not the space from the wall to the cabinet. This varies depending on cabinet size.
- Back panel is pre-drilled for accessory Base Tray Kits (BTK); only available on 21" and 24" deep cabinets
- One full-width half-depth adjustable shelf
- **Note:** Blind Panel with 3" filler included, shipped unattached
- ☆ **Note:** When depth is reduced to 12" or 15", drawers become a false drawer front

- ❖ SSS ⑦
- SDS ⑦
- ☆ 12 ⑩b
- ☆ 15 ⑩b
- 18 ⑩b
- 21 ⑩b
- ❖ HDS ⑩d

Base Corner Revolving Builder



Right Hand Hinging shown

⑩a

⑩c

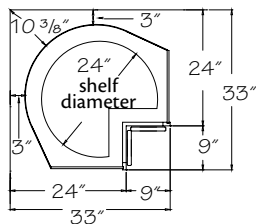
Specify R or L

BCRB33 R or L
BCRB36 R or L

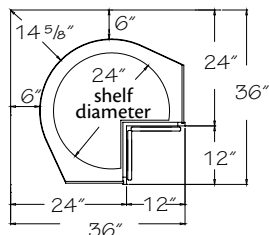
- Two 24" diameter high impact, pie-cut revolving white plastic shelves
- Shelves rotate independently of doors and each other
- Shelf load rating of 15 lbs. per square foot, *not* to exceed 50 lbs.
- Shelf height *cannot* be adjusted
- Two piece bi-fold door with independent adjustment
- Use Base End Panel Filler (BEPF3) if end is exposed (requires 3" of space)
- 168° opening hinges on face frame door
- Hinging is *not* invertible in the field
- **Note:** Frame Only (FRM) option *not* available

- ❖ SSS ⑦
- ❖ SDS ⑦
- 12 ⑩b
- 15 ⑩b
- 18 ⑩b
- 21 ⑩b
- HDS ⑩d

Caution: If cabinet is installed next to an appliance deeper than 25", it may interfere with the cabinet door opening. Options available: A) Use a filler between cabinet and appliance, B) Pull cabinet even with appliance front, which will result in a deeper countertop and overall base cabinet depth dimension

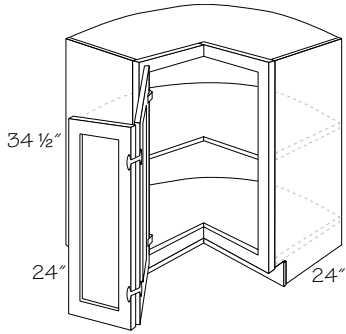


BCRB33

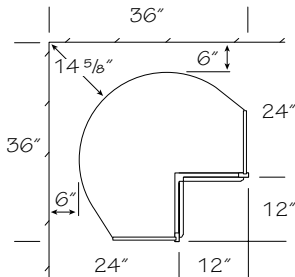


BCRB36

Base Corner Fixed Shelf



Left Hand Hinging shown



10a

10c

Specify R or L
BCFS36 R or L

- One fixed, pie-cut shelf in center position (**not** adjustable)
- Two piece bi-fold door with independent adjustment
- 168° opening hinges on face frame door
- Full overlay door style face frame stiles are notched to accept door hinges. Door hinging **cannot** be inverted in field
- Use Base End Panel Filler (BEPF3) if end is exposed (requires 3" of space)
- **Note:** Frame Only (FRM) option **not** available

- ❖ SSS 7
- ❖ SDS 7
- 12 10b
- 15 10b
- 18 10b
- 21 10b
- HDS 10d

Caution: If cabinet is installed next to an appliance deeper than 25", it may interfere with the cabinet door opening. Options available:
 A) Use a filler between cabinet and appliance, B) Pull cabinet even with appliance front, which will result in a deeper countertop and overall base cabinet depth dimension

Base Accessories

Construction Options and Modifications

- BR Birch ----- (2)
- LM Laminate----- (2)

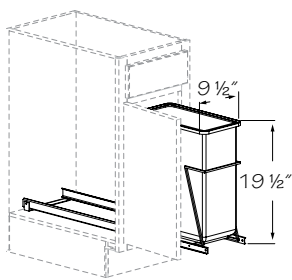
- ❖ Included as standard
- Available with an upcharge
- ☆ Available with exceptions

(Blank) **Not** available

(10a)

BEP34

Base Wastebasket Floor Mount Kit Single

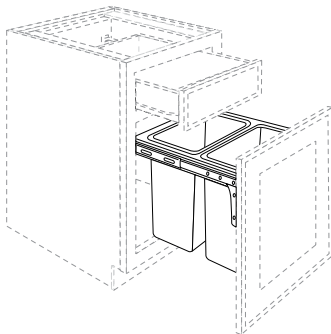


(10a)
BWBFMK-1

- White epoxy coated wire
- Fits base cabinets 15" or wider
- Includes 30 qt. white plastic bin
- 3/4 extension roll-out assembly mounts to floor of cabinet
- Installation instructions and mounting hardware included
- One per carton

- BR (2)
- LM (2)

Base Wastebasket Top Mount Assembly

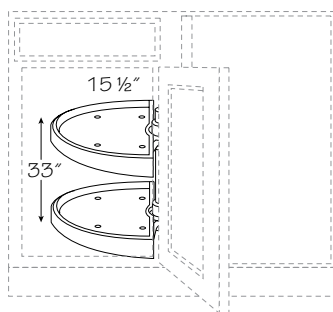


(10a)
BWFTA18

- Uses door from existing cabinet
- Top mounted wastebasket assembly rolls out on full-extension ball-bearing slides
- Includes two 35 qt. white plastic baskets which are easily removable for emptying and cleaning
- Baskets rest on solid wood platform
- 35 qt. basket is 10 1/2" x 14 5/8" x 18" high
- Installation instructions and mounting hardware included
- One per carton

- BR (2)
- LM (2)

Base Swing-Out Shelves



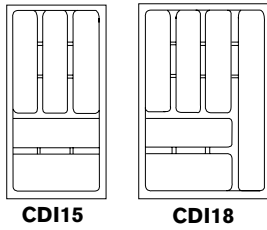
BSOS45 shown

(10a)
BSOS42
BSOS45

- For use in Base Blind Corner Cabinets (BBC)
- May be installed for right or left blind application
- Two high-impact white plastic half-moon swing-out shelves
- BSOS42 shelves support up to 38 lbs. and is 31 9/16" x 12 1/2"
- BSOS45 shelves support up to 45 lbs. and is 33" x 15 1/2"
- Bottom shelf pulls out for easy access
- Fixed height shelves attach to center post (included) and rotate independently to 90°
- BSOS42 requires 13 1/4" minimum cabinet opening (BBC42/45)
- BSOS45 requires 16 1/16" minimum cabinet opening (BBC45/48 and BBC48/51)
- Installation instructions and mounting hardware included
- One per carton

- BR (2)
- LM (2)

Cutlery Drawer Insert

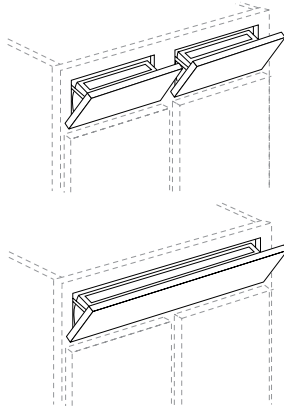


10a
CDI15
CDI18

- White polymer one piece trays
- CDI15 fits B15 and BD15-3D
- CDI18 fits B18 and BD18-3D
- One per carton

BR 2
 LM 2

Utility Tray Kit

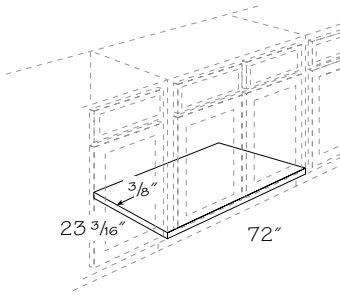


10a
UTK15
UTK15-10
UTK27
UTK27-10

- Removable high-impact white plastic tray installs on backside of drawer front for convenient out-of-sight storage of small items, soap, scouring pads, etc.
- UTK15 includes two 11" wide trays for use in cabinets 15" to 24" and 42" to 48" wide
- UTK27 includes one 22" wide tray for use in cabinets 27" to 39" wide
- Concealed self-closing hinges allow drawer front to tilt down 51° for tray access
- Hinge detent holds drawer front in full open position
- Order decorative hardware separately
- Installation instructions and mounting hardware included
- Offered individually or 10 per carton

BR 2
 LM 2

Sink Front Bottom



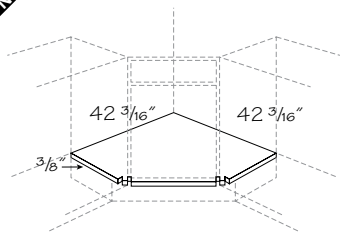
10a
SFB2372

- Designed to be used as an optional cabinet bottom for cabinets ordered with Cabinet Front Only (CFO) option
- Field trim to length required
- Easy to clean natural woodgrain laminate on one side; backside unfinished
- 3/8" thick engineered wood core
- Installation screws included
- **Not** available in White
- One per carton

BR 2
 LM 2

New

Sink Front Diagonal Bottom



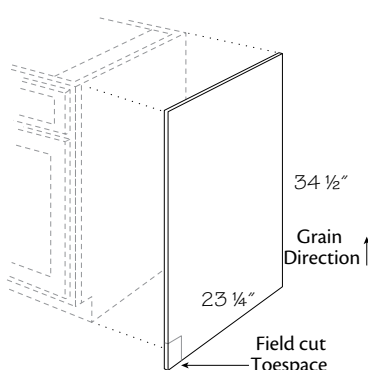
10a
SFDB4242

Grey color coding indicates new product, size or code.

- Designed to be used as an optional cabinet bottom with SFA42 sink front
- Fits SFA42 without field trimming
- 42 3/16" x 42 3/16"
- Easy to clean natural woodgrain laminate on one side; backside unfinished
- 3/8" thick engineered wood core
- Installation screws included
- One per carton

BR 2
 LM 2

Base End Panel



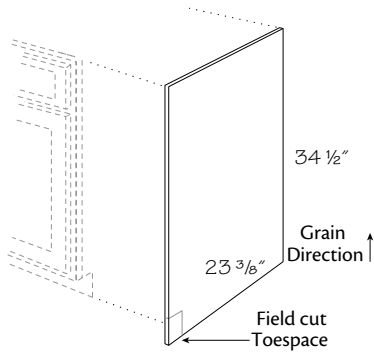
10a
 Veneer
 ■ **BEP34**
 ■ **BEP34-10**
 Paper Laminate
BEP34P
BEP34P-10

- Cotton and White are painted veneer

- Used to trim or flush out laminate exposed end of base cabinet
- For right or left hand use
- Veneer: 5/32" thick panel, finished on one side; grain runs lengthwise
- Laminate: 1/8" thick panel, laminate on front side, back side unfinished
- Available in all finishes
- Toespace notch **must** be field cut
- Trimmed to fit installation
- Offered individually or 10 per carton

BR 2
 LM 2

Sink Front End Panel

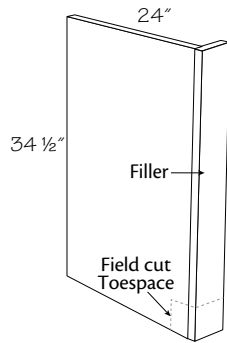


⑩a
SFEP

- Use with Cabinet Front Only (CFO) sink base on end of run
- 3/8" thick engineered wood, laminated both sides
- Matching laminate on front side and natural wood grain laminate on back side
- Toespace notch **must** be field cut
- Trimmable
- Edge band on front edges
- One per carton

❖ BR ②
❖ LM ②

Base End Panel Filler

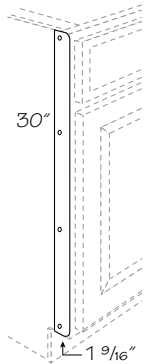


⑩a
BEPF3
BEPF6

- Used on the end of cabinet run to conceal dishwasher or cap end of BCFS/BCR cabinets
- 3/8" thick engineered wood, laminated both sides
- Matching laminate on front side and natural wood grain laminate on back side
- For right or left hand use
- Available in all finishes
- Toespace notch **must** be field cut
- Cotton and White have painted hardwood filler
- One per carton

❖ BR ②
❖ LM ②

Heat Shield

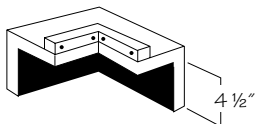


⑩a
HSD

- White epoxy-coated 18 gauge steel shield
- For use on Laminate door style
- Pre-drilled for mounting screws
- Installation instructions and mounting hardware included
- Two per carton

BR ②
LM ②

Corner Filler Toe Kick

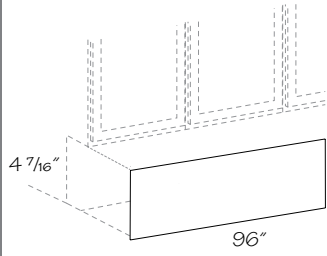


⑩a
CFTK3

- Use in 90° corners to fill the toe space opening created by using the Wall Filler Corner (WFC3-30)
- Order Wall Filler Corner (WFC3-30) separately
- One per carton

BR ②
LM ②

Toe Kick Cover - Laminate



1/8" thick MDF -
medium density fiberboard

10a

8' length
TKCL8
TKCL8-25

- 4 7/16" high x 96" long x 1/8" thick Medium Density Fiberboard (MDF) ❖ BR 2
- Matching easy clean laminate on one side ❖ LM 2
- Grain direction runs lengthwise (when applicable)
- Available in all finishes
- Offered individually or quantities of 25 per carton (200 ft.)

Notes

Tall Cabinets

Construction Options and Modifications

- ❖ Included as standard
- Available with an upcharge
- ☆ Available with exceptions

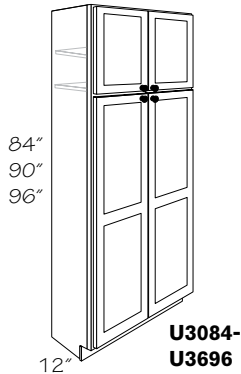
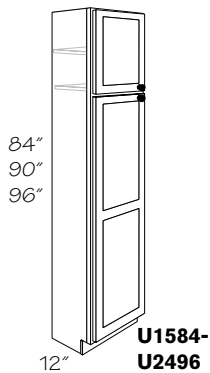
(Blank) **Not** available

SSS	Construction	-----	⑦
SDS	Construction	-----	⑦
09	Depth Modification	-----	⑩b
15	Depth Modification	-----	⑩b
18	Depth Modification	-----	⑩b
21	Depth Modification	-----	⑩b

⑩a
U1584

⑩c
U1584

Tall Utility Cabinet 12" Deep



⑩a	⑩c	⑩a	⑩c
<i>Specify R or L</i>		<i>Specify R or L</i>	
<i>84" High</i>		<i>96" High</i>	
U1584	R or L	U1596	R or L
U1884	R or L	† U1896	R or L
U2484	R or L	U2496	R or L
U3084		U3096	
U3684		† U3696	
<i>90" High</i>			
U1590	R or L		
U1890	R or L		
U2490	R or L		
U3090			
U3690			

† Top door size available with Accessory Hinged Prep for Glass Door (PG), in select door styles only

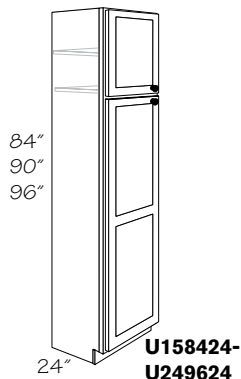
- Fixed shelf between top and bottom section with adjustable shelves in top section: 84" high-no shelves; 90"-1 shelf, and 96" high-2 shelves
- 30" and 36" wide cabinets have a 3" wide center stile in top and bottom section
- Interior height of tall section on 84" and 96" tall cabinets is 60 15/16"; 90" tall is 61 7/16"
- 96" high cabinets include toe kick platform shipped unattached for easier handling and installation
- Toe kick cover required on exposed sides of toe kick platform
- End panels of bottom section are pre-drilled for optional shelves
- Tall doors are two-piece panel construction, except Maddie
- Maddie tall doors have a single recessed panel
- Accessory Hinged Prep for Glass Door (PG) is available in select door styles and sizes. See Accessory Hinged Prep for Glass Door Information located in Replacement Parts>Hardware of this book

❖	SSS	⑦
❖	SDS	⑦
●	09	⑩b
	15	⑩b
	18	⑩b
	21	⑩b



If ordering a 96" high unit, consider ordering a tall end panel to flush out the exposed side

Tall Utility Cabinet 24" Deep

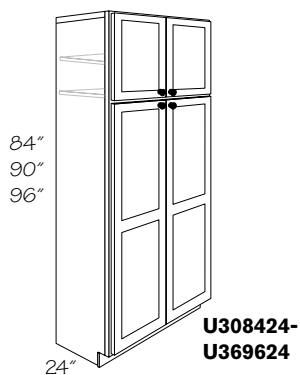


⑩a Specify R or L
84" High
U158424 R or L †
U188424 R or L †
U248424 R or L †
U308424 †
U368424 †
90" High
U159024 R or L
U189024 R or L
U249024 R or L
U309024 †
U369024 †

- ⑩c Specify R or L
96" High
U159624 R or L †
U189624 R or L †
U249624 R or L †
U309624 †
U369624 †
- Fixed shelf between top and bottom section with adjustable shelves in top section: 84" high-no shelves; 90"-1 shelf, and 96" high-2 shelves
 - 30" and 36" wide cabinets have a 3" wide center stile in top and bottom section
 - Interior height of tall section on 84" and 96" tall cabinets is 60 15/16"; 90" tall is 61 7/16"
 - 96" high cabinets include toe kick platform shipped unattached for easier handling and installation
 - Toe kick cover required on exposed sides of toe kick platform
 - Bottom section is pre-drilled for optional shelves and roll-out trays
 - 15"-24" wide cabinets use pre-drilled holes in end panels for roll-out tray mounting
 - 30" and 36" wide cabinets have pre-drilled back panels providing easy installation of (5) equally spaced roll-out trays behind both tall doors
 - Tall doors are two-piece panel construction, except Maddie
 - Maddie tall doors have a single recessed panel
 - ☆ Accessory roll-out trays **not** available when cabinet is reduced to 15" or 18" depth
 - Accessory Hinged Prep for Glass Door (PG) is available in select door styles and sizes. See Accessory Hinged Prep for Glass Door Information located in Replacement Parts>Hardware of this book

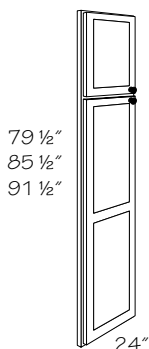
- ❖ SSS ⑦
- ❖ SDS ⑦
- 09 ⑩b
- ☆ 15 ⑩b
- ☆ 18 ⑩b
- 21 ⑩b

† Top door size available with Accessory Hinged Prep for Glass Door (PG), in select door styles only



If ordering a 96" high unit, consider ordering a tall end panel to flush out the exposed side

Utility Front



⑩a Specify R or L
84" High
UF2484 R or L
90" High
UF2490 R or L
96" High
† **UF2496 R or L**

- Includes face frame and appropriate hinged doors only
- Tall doors are two-piece panel construction, except Maddie
- Maddie tall doors have a single recessed panel
- Does **not** include toospace (toe kick backer) assembly

- ❖ SSS ⑦
- ❖ SDS ⑦
- 09 ⑩b
- 15 ⑩b
- 18 ⑩b
- 21 ⑩b

† Top door size available with Accessory Hinged Prep for Glass Door (PG), in select door styles only

Tall Appliance Cabinets

Construction Options and Modifications

- ❖ Included as standard
- Available with an upcharge
- ☆ Available with exceptions

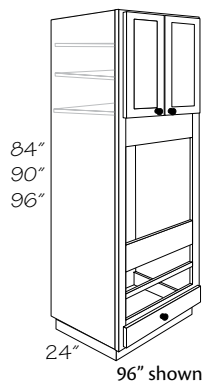
(Blank) **Not** available

(10a)

OCU3084

SSS	Construction	-----	(7)
SDS	Construction	-----	(7)
09	Depth Modification	-----	(10b)
15	Depth Modification	-----	(10b)
18	Depth Modification	-----	(10b)
21	Depth Modification	-----	(10b)

Oven Cabinet Universal



(10a)

84" High
OCU3084
OCU3384

90" High
OCU3090
OCU3390

96" High
† **OCU3096**
† **OCU3396**

† Top door size available with Accessory Hinged Prep for Glass Door (PG), in select door styles only

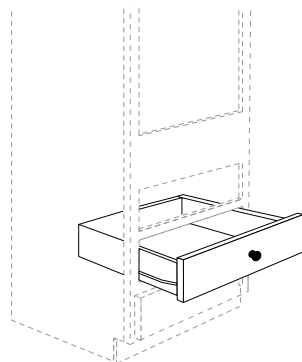
- Fixed shelf between top and bottom section with adjustable shelves in top section: 84" high-no shelves; 90"-1 shelf, and 96" high-2 shelves
- Three full-width drawer openings at bottom
- 3" wide trimmable vertical stiles provide oven opening width adjustment
- Includes one full-width drawer. Order additional drawer(s) as needed. See Oven Drawer Kit (ODK)
- Face-mounted door hinges provide matching frame reveals
- Center section accommodates single and double ovens by trimming or removing horizontal cross rails
- Face frame rails are attached to stiles with screws on the back side for easy removal
- 96" high cabinets include toe kick platform shipped unattached for easier handling and installation
- Toe kick cover required on exposed sides of toe kick platform
- See Cabinet Specifications and Options for oven cutout dimensions
- Accessory Hinged Prep for Glass Door (PG) is available in select door styles and sizes. See Accessory Hinged Prep for Glass Door Information located in Replacement Parts>Hardware of this book

❖ SSS	(7)
● SDS	(7)
09	(10b)
15	(10b)
18	(10b)
21	(10b)



If ordering a 96" high unit, consider ordering a tall end panel to flush out the exposed side

Oven Drawer Kit



(10a)

ODK30
ODK33

- Available in all door styles
- Available with solid wood dovetail drawer core with under-mount drawer guides
- Kit includes:
 - 1 drawer front
 - 1 drawer core
 - Guides and all mounting hardware
- One per carton

❖ SSS	(7)
● SDS	(7)
09	(10b)
15	(10b)
18	(10b)
21	(10b)

Tall Accessories

Construction Options and Modifications

- BR Birch ----- (2)
- LM Laminate ----- (2)

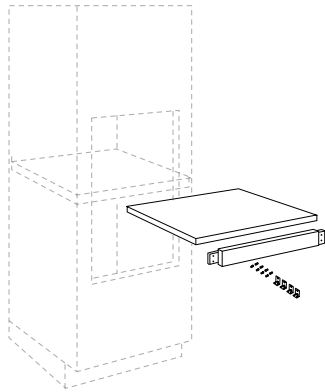
- ❖ Included as standard
- Available with an upcharge
- ☆ Available with exceptions

(Blank) **Not** available

(10a)

TEP84

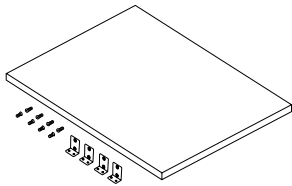
Double Oven Cabinet Kit



(10a)
DOCK30
DOCK33

- Designed to provide additional support for a combination microwave oven and built-in oven installation ❖ BR (2)
- Includes one Oven Cabinet Support Platform (OCSP) to support the microwave oven. This includes an engineered wood platform and mounting hardware which install into pre-drilled cabinet end panel holes ❖ LM (2)
- Includes a field installed 3" wide face frame rail to divide the two openings. Installation cleat attached.
Divider Rail Sizes:
DOCK30 - 3/4" x 3" x 24" long
DOCK33 - 3/4" x 3" x 27" long
- Specify wood species and finish for divider rail
- Requires a second Oven Cabinet Support Platform (OCSP) to support the built-in oven for a combination design. Order the second Oven Cabinet Support Platform (OCSP) separately.
- One per carton

Oven Cabinet Support Platform

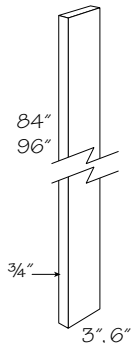


(10a)
OCSP30
OCSP33

- For installing second appliance in Oven Cabinet Universal (OCU) cabinet BR (2)
- 1" thick engineered wood unfinished on all surfaces LM (2)
- Includes four heavy-duty metal mounting brackets and eight screws which install into pre-drilled holes in cabinet end panels
- One per carton

Item	Width	Depth
OCSP30	28 1/4"	22 7/16"
OCSP33	31 1/4"	22 7/16"

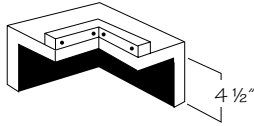
Tall Filler



(10a)
84" high
TF3-84
TF6-84
96" high
TF3-96
TF6-96

- 3/4" thick solid wood ❖ BR (2)
- Available in all finishes ❖ LM (2)
- Cotton and White are painted hardwood
- Finished on face surface only
- One per carton

Corner Filler Toe Kick

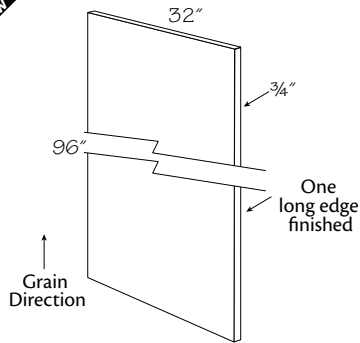


⑩a
CFTK3

- Use in 90° corners to fill the toe space opening created by using the Wall Filler Corner (WFC3-30)
- Order Wall Filler Corner (WFC3-30) separately
- One per carton

BR ②
 LM ②

New



Refrigerator End Panel

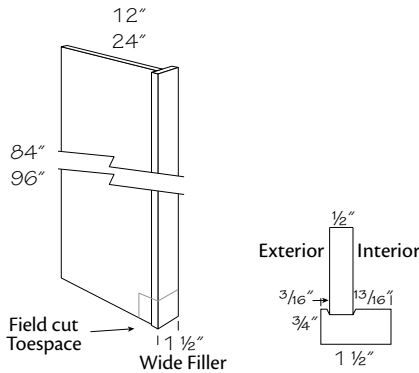
⑩a
REP3296

Grey color coding indicates new product, size or code.

- 3/4" thick plywood wood core with vertical grain veneer on both sides; edge banded on one long side
- Use next to refrigerator to conceal side, also supports 24" deep wall cabinet over refrigerator
- Available in Birch finishes only
- One per carton

BR ②
 LM ②

Refrigerator End Panel w/Attached Filler

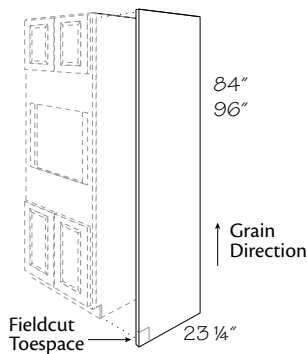


⑩a
 84" High
REPF1-5-1284
REPF1-5-2484
 96" High
REPF1-5-1296
REPF1-5-2496

- Use next to refrigerator to conceal side, also supports 24" deep wall cabinet over refrigerator
- 1 1/2" solid wood filler attached to panel
- 1/2" thick engineered wood panel laminated both sides
- Matching laminate on exterior side and natural wood grain laminate on interior side
- Cotton and White have painted hardwood filler
- One per carton

BR ②
 LM ②

Tall End Panel

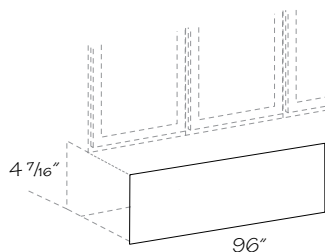


⑩a ⑩a
 84" Veneer 84" Paper Laminate
 ■ **TEP84** ■ **TEP84P**
 ■ **TEP84-2** ■ **TEP84P-2**
 96" 96"
 ■ **TEP96** ■ **TEP96P**
 ■ **TEP96-2** ■ **TEP96P-2**
 ■ Cotton and White are painted veneer

- Optional panel used to trim or flush out laminate exposed end of tall cabinet
- Can also be used as decorative panel on doors of side by side refrigerator where trim kits from the refrigerator manufacturer are available
- For right or left hand use
- Veneer: 5/32" thick panel, finished on one side; grain runs lengthwise
- Laminate: 1/8" thick panel, laminate on front side, back side unfinished
- Available in all finishes
- Toespace notch **must** be field cut
- Trimmed to fit installation
- Offered individually or two per carton

BR ②
 LM ②

Toe Kick Cover - Laminate



1/8" thick MDF - medium density fiberboard

⑩a
 8' length
TKCL8
TKCL8-25

- 4 7/16" high x 96" long x 1/8" thick Medium Density Fiberboard (MDF)
- Matching easy clean laminate on one side
- Grain direction runs lengthwise (when applicable)
- Available in all finishes
- Offered individually or quantities of 25 per carton (200 ft.)

BR ②
 LM ②

Notes

Vanity Cabinets

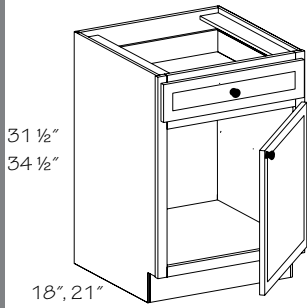
Construction Options and Modifications

10a 10c
VB12 **L**

- ❖ Included as standard
 - Available with an upcharge
 - ☆ Available with exceptions
- (Blank) **Not** available

SSS	Construction	-----	7
SDS	Construction	-----	7
12	Depth Modification	-----	10b
15	Depth Modification	-----	10b

Vanity Base Single Door



10a	10c	10a	10c
Specify R or L 18" Deep 31 1/2" High		Specify R or L 21" Deep 31 1/2" High	
☆ VB1218 R or L		VB12 R or L	
☆ VB1518 R or L		VB15 R or L	
☆ VB1818 R or L		VB18 R or L	
☆ VB2118 R or L		VB21 R or L	
☆ VB2418 R or L		VB24 R or L	
34 1/2" High		34 1/2" High	
☆ VB123518 R or L		VB1235 R or L	
☆ VB153518 R or L		VB1535 R or L	
☆ VB183518 R or L		VB1835 R or L	
☆ VB213518 R or L		VB2135 R or L	
☆ VB243518 R or L		VB2435 R or L	

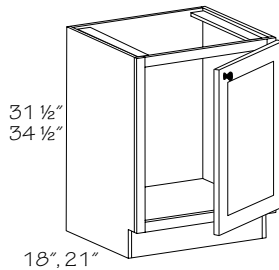
- No shelf
- Standard height top drawer
- Back is pre-drilled for optional bottom and mid-height accessory Vanity Tray Kits (VTK)
- Vanity Tray Kits (VTK) are only available on 21" deep Vanities
- ☆ **Note:** When depth is reduced to 12" or 15", drawers become a false drawer front

❖ SSS	7
● SDS	7
☆ 12	10b
☆ 15	10b

☆ **Not** available with depth modifications

New

Vanity Base Single Door Full-Height



10a	10c	10a	10c
Specify R or L 18" Deep 31 1/2" High		Specify R or L 21" Deep 31 1/2" High	
☆ VB1518FH R or L		VB15FH R or L	
☆ VB1818FH R or L		VB18FH R or L	
34 1/2" High		34 1/2" High	
☆ VB153518FH R or L		VB1535FH R or L	
☆ VB183518FH R or L		VB1835FH R or L	

- No shelf
- Back is pre-drilled for optional bottom and mid-height accessory Vanity Tray Kits (VTK)
- Vanity Tray Kits (VTK) are only available on 21" deep Vanities

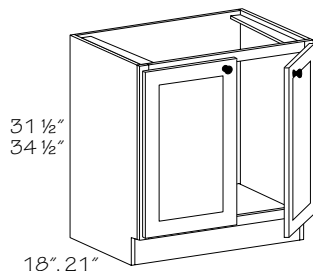
❖ SSS	7
❖ SDS	7
☆ 12	10b
☆ 15	10b

☆ **Not** available with depth modifications

Grey color coding indicates new product, size or code.

New

Vanity Base Double Door Full-Height



10a	10a
18" Deep 31 1/2" High	21" Deep 31 1/2" High
☆ VB3018FH	VB30FH
☆ VB3618FH	VB36FH
34 1/2" High	34 1/2" High
☆ VB303518FH	VB3035FH
☆ VB363518FH	VB3635FH

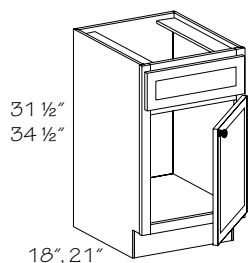
- No shelf
- Back is pre-drilled for optional bottom and mid-height accessory Vanity Tray Kits (VTK)
- Vanity Tray Kits (VTK) are only available on 21" deep Vanities

❖ SSS	7
❖ SDS	7
☆ 12	10b
☆ 15	10b

☆ **Not** available with depth modifications

Grey color coding indicates new product, size or code.

Vanity Sink Base Single Door

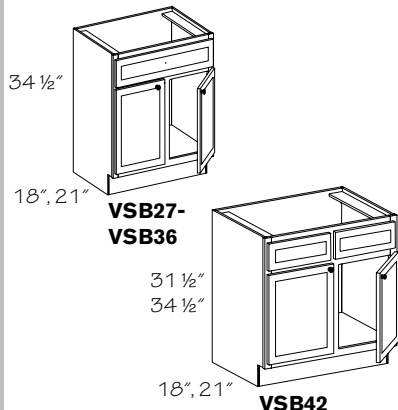


- ⑩a 18" Deep
31 1/2" High
★ **VSB2418** R or L
- ⑩c 21" Deep
31 1/2" High
★ **VSB24** R or L
- ⑩a 34 1/2" High
★ **VSB243518** R or L
- ⑩a 21" Deep
34 1/2" High
★ **VSB2435** R or L
- ★ **Not available with depth modifications**

- ⑩c • No shelf
- ⑩c • One full-width false drawer front above door
- R or L • Back is pre-drilled for optional bottom and mid-height accessory Vanity Tray Kits (VTK)
- R or L • Vanity Tray Kits (VTK) are only available on 21" deep Vanities

- ❖ SSS ⑦
- ❖ SDS ⑦
- ☆ 12 ⑩b
- ☆ 15 ⑩b

Vanity Sink Base Double Door

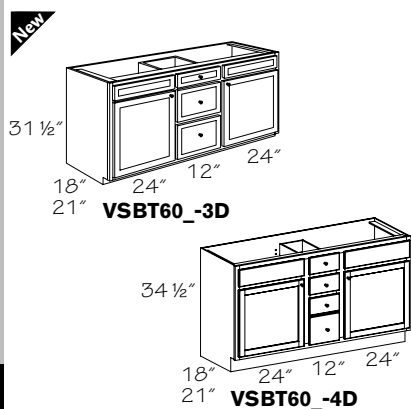


- ⑩a 18" Deep
31 1/2" High
★ **VSB2718B**
- ⑩a 21" Deep
31 1/2" High
★ **VSB27B**
- ★ **VSB3018** R or L
- ★ **VSB30** R or L
- ★ **VSB3318** R or L
- ★ **VSB33** R or L
- ★ **VSB3618** R or L
- ★ **VSB36** R or L
- ★ **VSB4218** R or L
- ★ **VSB42** R or L
- ⑩a 18" Deep
34 1/2" High
★ **VSB273518B**
- ⑩a 21" Deep
34 1/2" High
★ **VSB2735B**
- ★ **VSB303518** R or L
- ★ **VSB3035** R or L
- ★ **VSB333518** R or L
- ★ **VSB3335** R or L
- ★ **VSB363518** R or L
- ★ **VSB3635** R or L
- ★ **Not available with depth modifications**

- No shelf
- Cabinets with a "B" suffix have BUTT doors without a center stile
- All cabinets have one full-width false drawer front except VSB4218 and VSB42, which have two false drawer fronts
- Back is pre-drilled for optional bottom and mid-height accessory Vanity Tray Kits (VTK)
- Vanity Tray Kits (VTK) are only available on 21" deep Vanities

- ❖ SSS ⑦
- ❖ SDS ⑦
- 12 ⑩b
- 15 ⑩b

Vanity Sink Base Double Bowl



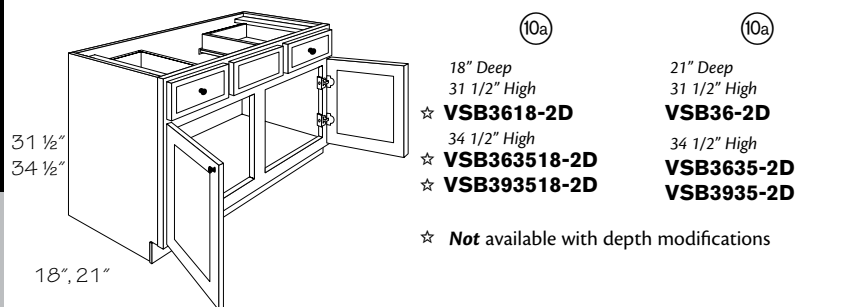
- ⑩a 31 1/2" High
18" Deep
★ **VSBT6018-3D**
- ⑩a 34 1/2" High
18" Deep
★ **VSBT603518-4D**
- 21" Deep
★ **VSBT60-3D**
- 21" Deep
★ **VSBT6035-4D**

- ★ **Not available with depth modifications**
- Grey color coding indicates new product, size or code.

- No shelf
- VSBT 31 1/2" high cabinets have 3 drawers in the center section; 1 standard height top drawer, 2 deep drawers below
- VSBT 34 1/2" high cabinets have 4 drawers in the center section; 3 standard height drawers, 1 deep drawer below
- One false drawer front above doors
- Full-width support crossrail across top front of cabinet
- Opening on each end for sink installation is 24 3/4"
- Back is pre-drilled for optional bottom and mid-height accessory Vanity Tray Kits (VTK)
- Vanity Tray Kits (VTK) are only available on 21" deep Vanities
- **Note:** Actual cabinet width is 60"
- ★ **Note:** When depth is reduced to 12" or 15", drawers become a false drawer front

- ❖ SSS ⑦
- ❖ SDS ⑦
- ☆ 12 ⑩b
- ☆ 15 ⑩b

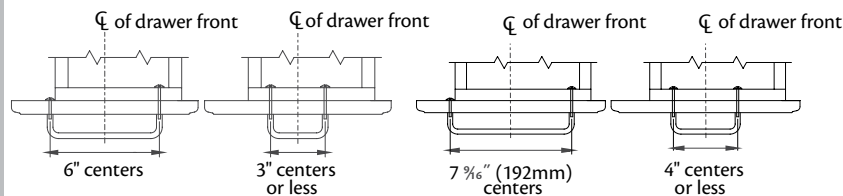
Vanity Sink Base Two Drawer Double Door



- ⑩a 18" Deep
31 1/2" High
★ **VSB3618-2D**
- ⑩a 21" Deep
31 1/2" High
★ **VSB36-2D**
- ★ **VSB363518-2D**
- ★ **VSB3635-2D**
- ★ **VSB393518-2D**
- ★ **VSB3935-2D**
- ★ **Not available with depth modifications**

- No shelf
- False front only between drawers
- Space between drawers for sink installation is 18"
- Back is pre-drilled for optional bottom and mid-height accessory Vanity Tray Kits (VTK)
- Vanity Tray Kits (VTK) are only available on 21" deep Vanities
- ★ **Note:** When depth is reduced to 12" or 15", drawers become a false drawer front
- **Note:** Two standard height top drawers. Drawer fronts are offset from drawer core. This limits the sizes of pulls that can be positioned in the middle of the drawer front to pulls with 6" centers or 3" and narrower centers. See details.

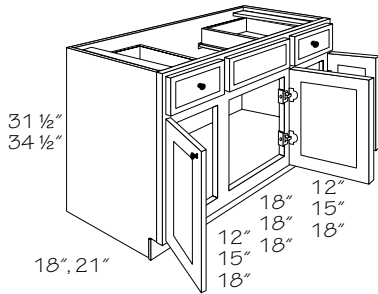
- ❖ SSS ⑦
- SDS ⑦
- ☆ 12 ⑩b
- ☆ 15 ⑩b



VSB36-2D and VSB3635-2D
Right hand drawer shown

VSB3935-2D
Right hand drawer shown

Vanity Sink Base Two Drawer Three Door



- | | |
|---|--------------------------|
| (10a) | (10a) |
| 18" Deep
31 1/2" High | 21" Deep
31 1/2" High |
| ☆ VSB4218-2D | VSB42-2D |
| ☆ VSB4818-2D | VSB48-2D |
| ☆ VSB5418-2D | VSB54-2D |
| 34 1/2" High | 34 1/2" High |
| ☆ VSB423518-2D | VSB4235-2D |
| ☆ VSB483518-2D | VSB4835-2D |
| ☆ VSB543518-2D | VSB5435-2D |
| ☆ Not available with depth modifications | |

- No shelf
- Two standard height top drawers
- False front only between drawers
- Center door is hinged right
- Middle door on 42" cabinets is 6" wider than outer doors
- Middle door on 48" cabinets is 3" wider than outer doors
- Doors are equal size on 54" wide cabinets
- Back is pre-drilled for optional bottom and mid-height accessory Vanity Tray Kits (VTK)
- Back is pre-drilled behind the center door for optional bottom and mid-height accessory Vanity Tray Kit (VTK) on VSB543518-2D and VSB5435-2D only
- Space between drawers for sink installation is 12"
- 54" wide cabinets have a full-width support cross rail across top front of cabinet
- Vanity Tray Kits (VTK) are only available on 21" deep Vanities
- ☆ **Note:** When depth is reduced to 12" or 15", drawers become a false drawer front

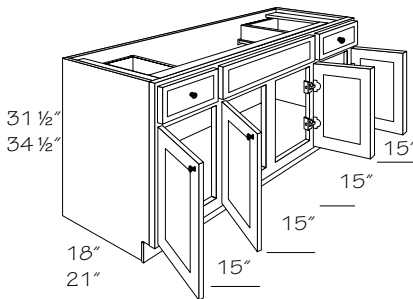
❖ **SSS** (7)

● **SDS** (7)

☆ **12** (10b)

☆ **15** (10b)

Vanity Sink Base Two Drawer Four Door



- | | |
|---|--------------------------|
| (10a) | (10a) |
| 18" Deep
31 1/2" High | 21" Deep
31 1/2" High |
| ☆ VSBT6018-2D | VSBT60-2D |
| ☆ VSBT603518-2D | VSBT6035-2D |
| 34 1/2" High | 34 1/2" High |
| ☆ Not available with depth modifications | |

- No shelf
- Doors are equal size
- Two standard height top drawers
- False front only between drawers
- Door left of center hinged left, door right of center hinged right
- Space between drawers for sink installation is 33"
- Traditional overlay inner and outer doors are 13 1/4" wide. Full overlay inner and outer doors are 14 5/8"
- Full-width support crossrail across top front of cabinet
- Back is pre-drilled for optional bottom and mid-height accessory Vanity Tray Kit (VTK) that fit behind outer doors
- Back is pre-drilled behind the center door for optional bottom and mid-height accessory Vanity Tray Kit (VTK) on VSBT60-2D and VSBT6035-2D only
- Vanity Tray Kits (VTK) are only available on 21" deep Vanities
- **Note:** Actual cabinet width is 60"
- ☆ **Note:** When depth is reduced to 12" or 15", drawers become a false drawer front

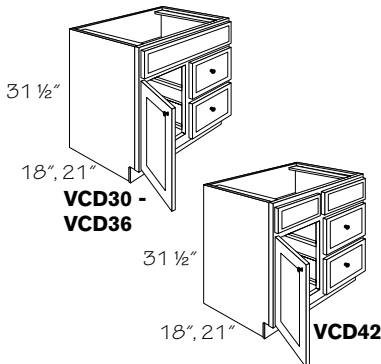
❖ **SSS** (7)

● **SDS** (7)

☆ **12** (10b)

☆ **15** (10b)

Vanity Combination Drawer Two Drawer



- | | |
|---|--|
| (10a) | (10a) |
| Specify DR or DL
18" Deep
31 1/2" High | Specify DR or DL
21" Deep
31 1/2" High |
| ☆ VCD3018 DR or DL | VCD30 DR or DL |
| ☆ VCD3318 DR or DL | VCD33 DR or DL |
| ☆ VCD3618 DR or DL | VCD36 DR or DL |
| ☆ VCD4218 DR or DL | VCD42 DR or DL |
| ☆ Not available with depth modifications | |

- No shelf
- One door and one full-width false drawer front above door and two deep bottom drawers, except VCD42 which has two false drawer fronts
- Specify DL (Drawer Left) or DR (Drawer Right) position for drawers
- Back is pre-drilled for optional bottom and mid-height accessory Vanity Tray Kits (VTK)
- Vanity Tray Kits (VTK) are only available on 21" deep Vanities
- ☆ **Note:** When depth is reduced to 12" or 15", drawers become a false drawer front

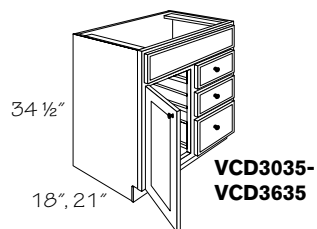
❖ **SSS** (7)

● **SDS** (7)

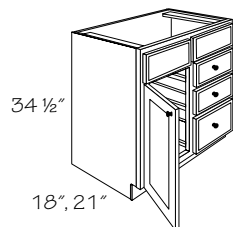
☆ **12** (10b)

☆ **15** (10b)

Vanity Combination Drawer Three Drawer



**VCD3035-
VCD3635**



VCD4235

⑩a

Specify DR or DL
18" Deep
34 1/2" High

- ☆ **VCD303518 DR or DL**
- ☆ **VCD333518 DR or DL**
- ☆ **VCD363518 DR or DL**
- ☆ **VCD423518 DR or DL**

☆ **Not** available with depth modifications

⑩a

Specify DR or DL
21" Deep
34 1/2" High

- ☆ **VCD3035 DR or DL**
- ☆ **VCD3335 DR or DL**
- ☆ **VCD3635 DR or DL**
- ☆ **VCD4235 DR or DL**

- No shelf
- One door and one standard height full-width false drawer front above door and drawers, except VCD4235 which has two false drawer fronts
- Two standard height drawers and one deep drawer
- Specify DL (Drawer Left) or DR (Drawer Right) position for drawers
- Back is pre-drilled for optional bottom and mid-height accessory Vanity Tray Kits (VTK)
- Vanity Tray Kits (VTK) are only available on 21" deep Vanities
- ☆ **Note:** When depth is reduced to 12" or 15", drawers become a false drawer front

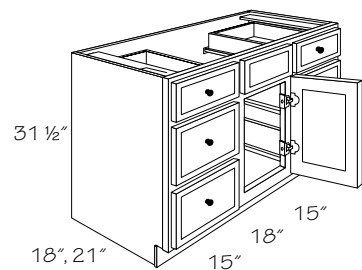
❖ SSS ⑦

● SDS ⑦

☆ 12 ⑩b

☆ 15 ⑩b

Vanity Combination Drawer Six Drawer Single Door



⑩a

18" Deep
31 1/2" High

☆ **VCD4818**

☆ **Not** available with depth modifications

⑩a

21" Deep
31 1/2" High

☆ **VCD48**

- No shelf
- Two standard height top drawers and four deep lower drawers
- Center door is hinged right
- False front only between drawers
- Space between drawers for sink installation is 21"
- Back is **not** pre-drilled for optional bottom and mid-height accessory Vanity Tray Kit (VTK)
- ☆ **Note:** When depth is reduced to 12" or 15", drawers become a false drawer front

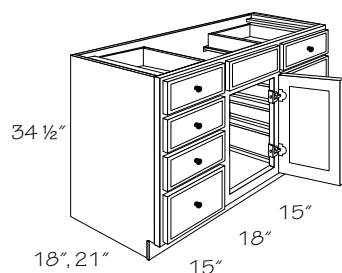
❖ SSS ⑦

● SDS ⑦

☆ 12 ⑩b

☆ 15 ⑩b

Vanity Combination Drawer Eight Drawer Single Door



⑩a

18" Deep
34 1/2" High

☆ **VCD483518**

☆ **Not** available with depth modifications

⑩a

21" Deep
34 1/2" High

☆ **VCD4835**

- No shelf
- Six standard height and two deep drawers
- Center door is hinged right
- False front only between drawers
- Space between drawers for sink installation is 21"
- Back is **not** pre-drilled for optional bottom and mid-height accessory Vanity Tray Kit (VTK)
- ☆ **Note:** When depth is reduced to 12" or 15", drawers become a false drawer front

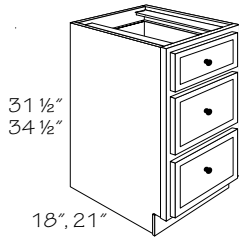
❖ SSS ⑦

● SDS ⑦

☆ 12 ⑩b

☆ 15 ⑩b

Vanity Drawer Three Drawer



10a

18" Deep
 31 1/2" High
VD1218-3D
VD1518-3D
VD1818-3D
VD2118-3D
VD2418-3D
 34 1/2" High
VD123518-3D
VD153518-3D
VD183518-3D
VD213518-3D
VD243518-3D

10a

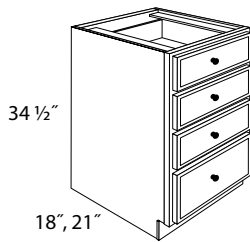
21" Deep
 31 1/2" High
VD12-3D
VD15-3D
VD18-3D
VD21-3D
VD24-3D
 34 1/2" High
VD1235-3D
VD1535-3D
VD1835-3D
VD2135-3D
VD2435-3D

- One standard height top drawer and two deep drawers below

❖ SSS 7
 ● SDS 7
 12 10b
 15 10b

Vanity Drawer Four Drawer

New



10a

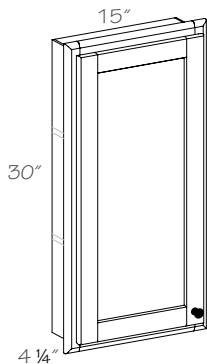
18" Deep
 34 1/2" High
VD123518-4D
VD153518-4D
VD183518-4D
VD213518-4D
VD243518-4D
 21" Deep
VD1235-4D
VD1535-4D
VD1835-4D
VD2135-4D
VD2435-4D

- Three standard height drawers and one deep drawer below

❖ SSS 7
 ● SDS 7
 12 10b
 15 10b

Grey color coding indicates new product, size or code.

Vanity Wall Recessed



10a

10c

Specify R or L
VWR1530 R or L

- For surface mount or recess installation
- Two adjustable shelves
- Sides, top, and bottom are laminated both sides
- Opening for recessed installation:
 13 1/2" W x 28 3/4" H x 3 1/2" D

❖ SSS 7
 ❖ SDS 7
 12 10b
 15 10b

Vanity Accessories

Construction Options and Modifications

BR Birch ----- (2)
 LM Laminate----- (2)

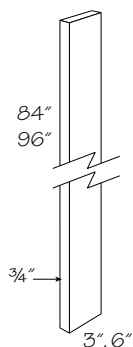
- ❖ Included as standard
- Available with an upcharge
- ☆ Available with exceptions

(Blank) **Not** available

(10a)

TKCL8

Tall Filler



(10a)

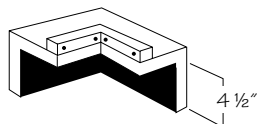
84" high
TF3-84
TF6-84
 96" high
TF3-96
TF6-96

- 3/4" thick solid wood
- Available in all finishes
- Cotton and White are painted hardwood
- Finished on face surface only
- One per carton

❖ **BR** (2)

❖ **LM** (2)

Corner Filler Toe Kick



(10a)

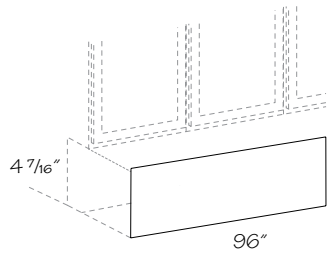
CFTK3

- Use in 90° corners to fill the toe space opening created by using the Wall Filler Corner (WFC3-30)
- Order Wall Filler Corner (WFC3-30) separately
- One per carton

BR (2)

LM (2)

Toe Kick Cover - Laminate



10a
 8' length
TKCL8
TKCL8-25

1/8" thick MDF -
 medium density fiberboard

- 4 7/16" high x 96" long x 1/8" thick Medium Density Fiberboard (MDF) **BR** 2
- Matching easy clean laminate on one side **LM** 2
- Grain direction runs lengthwise (when applicable)
- Available in all finishes
- Offered individually or quantities of 25 per carton (200 ft.)

Notes

Office Cabinets

SSS Construction ----- (7)

SDS Construction ----- (7)

Construction Options and Modifications

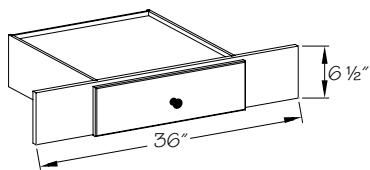
- ❖ Included as standard
- Available with an upcharge
- ☆ Available with exceptions

(Blank) **Not** available

(10a)

DKDDT36

Desk Knee Drawer Deep Trimmable



(10a)

18" deep
DKDDT3618
21" deep
DKDDT36

- Designed for use between base, desk, vanity, tall cabinets or with desk leg on one end
- One standard height drawer
- Frame is constructed of 3/4" plywood
- Drawer front is profiled on all edges
- Full-width top panel is recessed for easier installation
- Requires countertop or writing surface
- Trimmable to 21" wide; 7 1/2" each side
- **Note:** Frame Only (FRM) option **not** available

❖ SSS (7)

● SDS (7)

Office Cabinet Accessories

BR Birch ----- (2)
 LM Laminate ----- (2)

Construction Options and Modifications

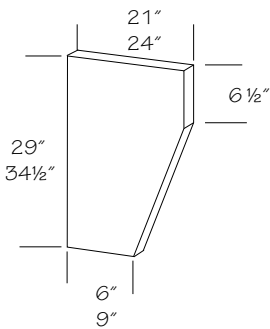
- ❖ Included as standard
- Available with an upcharge
- ☆ Available with exceptions

(Blank) **Not** available

(10a)

DEP2434

Desk End Panel



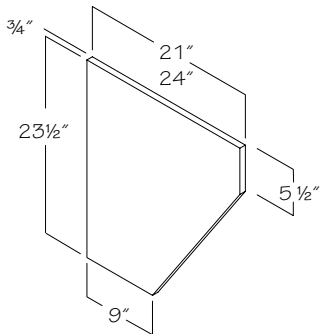
(10a)

DEP2129
DEP2434

- Used to support end of Desk Knee Drawer Trimmable (DKDDT). Fits behind extended frame stile
- 3/4" thick engineered wood core with vertical grain veneer on both sides
- Front edges are banded
- Available in all finishes
- Cotton and White are painted veneer
- Field cut to correct height where applicable
- One per carton

❖ **BR** (2)
 ❖ **LM** (2)

Universal Desk End Panel



(10a)

UDEP2124
UDEP2424

- Used to support end of Desk Knee Drawer Trimmable (DKDDT). Fits behind extended frame stile
- 3/4" thick engineered wood core with vertical grain veneer on both sides
- Front edges are banded
- Available in all finishes
- Cotton and White are painted veneer
- Field cut to correct height where applicable
- One per carton

❖ **BR** (2)
 ❖ **LM** (2)

Universal Access Cabinets

Construction Options and Modifications

- ❖ Included as standard
- Available with an upcharge
- ☆ Available with exceptions

(Blank) **Not** available

We manufacture cabinets that are readily used in floor plans that meet current ADA Accessibility Guidelines for Building and Facilities (ADAAG) guidelines. The primary responsibility to make a space comply with these guidelines is on the architect or space planner. Our products can be used to help satisfy the storage needs and accessibility requirements of disabled persons but depends on the knowledge, skill and creativity of the design professional and proper installation of these products. ADA Accessibility Guidelines for buildings and facilities can be visited online at: www.access-board.gov

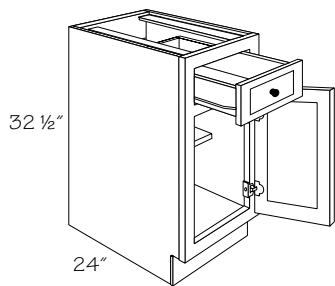
Material dimensions may vary slightly based on lumber industry standards.

Specifications subject to change without notice.

SSS	Construction	-----	(7)
SDS	Construction	-----	(7)
12	Depth Modification	-----	(10b)
15	Depth Modification	-----	(10b)
18	Depth Modification	-----	(10b)
21	Depth Modification	-----	(10b)
HDS	Half Depth Shelf	-----	(10d)

(10a) (10c) (10d)
UB24 **L** **HDS**

Universal Base Single Door

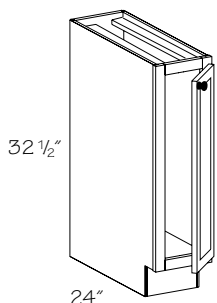


(10a) (10c) (10d)
 Specify R or L
UB12 R or L **HDS**
UB15 R or L **HDS**
UB18 R or L **HDS**
UB21 R or L **HDS**
UB24 R or L **HDS**

- Standard height top drawer
- ☆ **Note:** When depth is reduced to 12" or 15", drawers become a false drawer front

- ❖ **SSS** (7)
- **SDS** (7)
- ☆ **12** (10b)
- ☆ **15** (10b)
- **18** (10b)
- **21** (10b)
- ❖ **HDS** (10d)

Universal Base Single Door - Full-Height

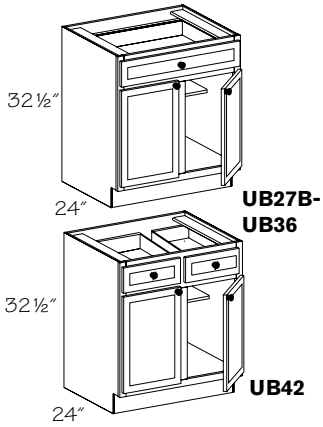


(10a) (10c)
 Specify R or L
UB9FH R or L

- No shelf

- ❖ **SSS** (7)
- ❖ **SDS** (7)
- **12** (10b)
- **15** (10b)
- **18** (10b)
- **21** (10b)
- HDS** (10d)

Universal Base Double Door



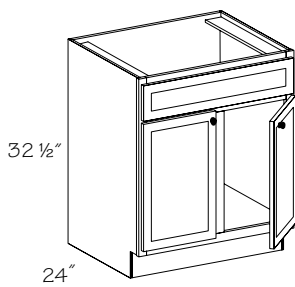
⑩a ⑩d

One Drawer
UB27B HDS
UB30 HDS
UB36 HDS
 Two Drawers
UB42 HDS

- Standard height top drawer
- Cabinets with a "B" suffix have BUTT doors without a center stile
- Back panel is pre-drilled for accessory Base Tray Kits (BTK); only available on 21" and 24" deep cabinets
- ☆ **Note:** When depth is reduced to 12" or 15", drawers become a false drawer front

- ❖ **SSS** ⑦
- **SDS** ⑦
- ☆ **12** ⑩b
- ☆ **15** ⑩b
- **18** ⑩b
- **21** ⑩b
- ❖ **HDS** ⑩d

Universal Sink Base



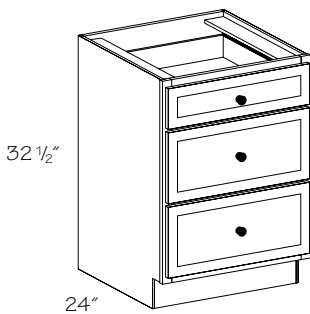
⑩a

USB30
USB36

- No shelf
- One full-width false drawer front
- Back panel is pre-drilled for accessory Base Tray Kits (BTK); only available on 21" and 24" deep cabinets

- ❖ **SSS** ⑦
- ❖ **SDS** ⑦
- **12** ⑩b
- **15** ⑩b
- **18** ⑩b
- **21** ⑩b
- HDS** ⑩d

Universal Base Three Drawer



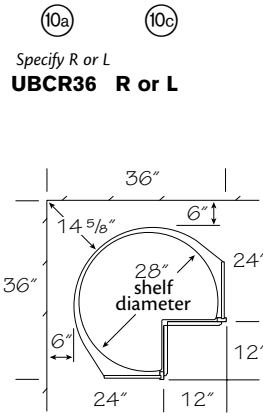
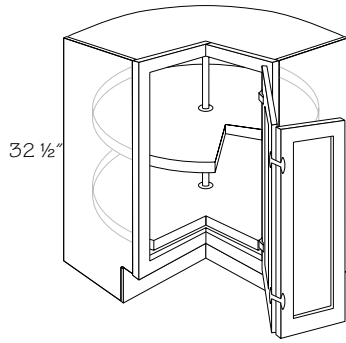
⑩a

UBD12-3D
UBD15-3D
UBD18-3D
UBD21-3D
UBD24-3D

- Standard height top drawer
- Bottom drawers are deep

- ❖ **SSS** ⑦
- **SDS** ⑦
- 12** ⑩b
- 15** ⑩b
- **18** ⑩b
- **21** ⑩b
- HDS** ⑩d

Universal Base Corner Revolving



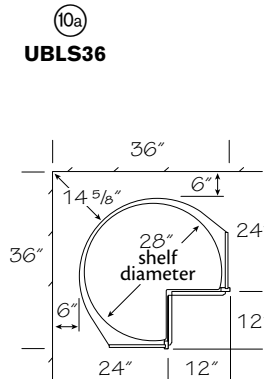
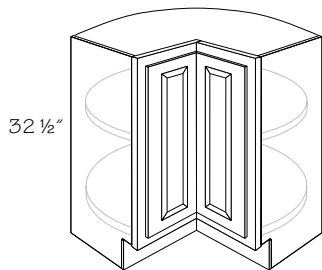
10a 10c
 Specify R or L
UBCR36 R or L

- Available in full overlay door styles only
- Two piece bi-fold door with independent adjustment
- 168° opening hinges on face frame door
- Two 28" diameter high impact, pie-cut revolving white plastic shelves
- Shelves rotate independently of doors and each other
- Shelf load rating of 15 lbs. per square foot, **not** to exceed 50 lbs.
- Shelf height **cannot** be adjusted
- Use Base End Panel Filler (BEPF3) if end is exposed (requires 3" of space)
- Requires 36" of wall space in each direction
- Hinging is **not** invertible in the field
- **Note:** Frame Only (FRM) option **not** available

- ❖ SSS 7
- ❖ SDS 7
- 12 10b
- 15 10b
- 18 10b
- 21 10b
- HDS 10d

Do **not** design a corner cabinet adjacent to an object deeper than the end panel. The door of the corner cabinet may **not** function properly.

Universal Base Lazy Susan

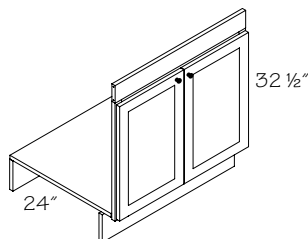


10a
UMLS36

- Available in traditional overlay door styles only
- Doors revolve with shelves
- Two 28" diameter high impact, pie-cut revolving white plastic shelves
- Shelf height **cannot** be adjusted
- Shelf load rating of 15 lbs. per square foot, **not** to exceed 50 lbs.
- Use Base End Panel Filler (BEPF3) if end is exposed (requires 3" of space)
- Requires 36" of wall space in each direction
- **Note:** Cabinet Front Only (CFO) and Frame Only Option (FRM) are **not** available

- ❖ SSS 7
- ❖ SDS 7
- 12 10b
- 15 10b
- 18 10b
- 21 10b
- HDS 10d

Universal Removable Sink Front Double Doors



10a
URSF30
URSF33
URSF36
URSF42

- Designed for easy field conversion from a standard sink base functionality to universal access open space
- Permanently installed countertop support rail is 3 1/2" high x 3/4" thick solid wood
- Doors and frame are shipped pre-assembled
- 3/4" thick removable plywood bottom panel with support hardware / leveling legs and a removable clipped-on toeboard provided
- Matching solid wood baseboard provided for bottom panel support along the kitchen wall
- Frame, doors, floor bottom and toeboard can be flat packed for easy storage in a minimum amount of space
- Frame attached to bottom panel using quick connect (cam-locks) fasteners providing a solid tight joint
- Some field assembly required; instructions and hardware included
- A Universal Access Panel (UAP) can be purchased separately to conceal/protect the water and drain lines. See "Panels" section. Please specify finish

- ❖ SSS 7
- ❖ SDS 7
- 12 10b
- 15 10b
- 18 10b
- 21 10b
- HDS 10d

Complete flooring under Universal Access Removable Sink Front (URSF) to prepare for the future when sink front and plywood bottom is removed.

Universal Access Cabinet Accessories

Construction Options and Modifications

- BR Birch ----- (2)
- LM Laminate ----- (2)

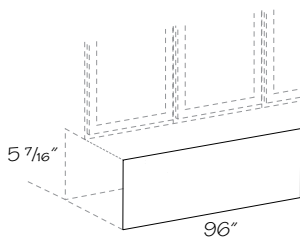
- ❖ Included as standard
- Available with an upcharge
- ☆ Available with exceptions

(Blank) **Not** available

(10a)

TKCUL8

Universal Base Toekick Cover - Laminate



(10a)
8' length
TKCUL8

- Laminate, 5 7/16" high x 96" long x 1/8" thick Medium Density Fiberboard (MDF)
- Matching easy clean laminate on one side
- Grain direction runs lengthwise (when applicable)
- Available in all finishes
- One per carton

- ❖ **BR** (2)
- ❖ **LM** (2)

Panels

BR Birch ----- (2)

LM Laminate ----- (2)

Construction Options and Modifications

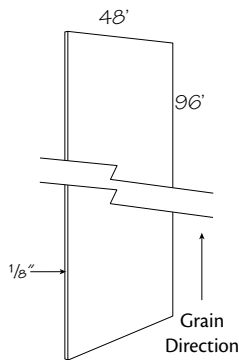
- ❖ Included as standard
- Available with an upcharge
- ☆ Available with exceptions

(Blank) Not available

(10a)

PB4834P

Panel Backer-Paper



(10a)

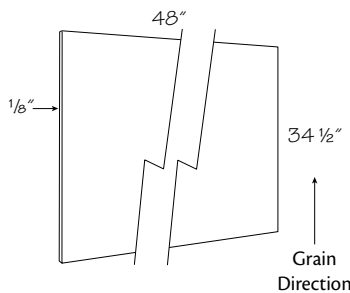
PB4896P
PB4896P-2

- Use to cover exposed backs of Base and Tall cabinets in peninsula or island configurations
- Medium Density Fiberboard (MDF) panel with easy clean laminate on front side and unfinished backside
- Available in all finishes
- Offered individually or two per carton

❖ BR (2)

❖ LM (2)

Panel Backer 3' Tall-Paper



(10a)

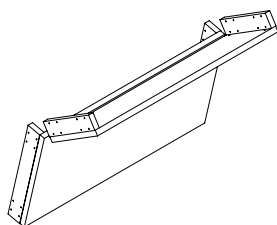
PB4834P
PB4834P-2

- Use to cover exposed backs of Base and Tall cabinets in peninsula or island configurations
- Medium Density Fiberboard (MDF) panel with easy clean laminate on front side and unfinished backside
- Available in all finishes
- Offered individually or two per carton

❖ BR (2)

❖ LM (2)

Universal Access Panel



(10a)

UAP30
UAP33
UAP36
UAP42

- Designed for optional use with Universal Removable Sink Front (URSF)
- Conceals/protects drain and water lines
- Includes one 9" and one 15" high, 3/4" thick laminate plywood panel
- Panels are held with hidden spring clips, removable without tools for easy access to plumbing
- **Must** be trimmed when Base End Panels (BEP) are used on adjacent cabinets
- Specify species and finish
- Installation instructions and mounting hardware included
- ☆ Regardless of construction option, panel is constructed and shipped the same

❖ BR (2)

❖ LM (2)

Shelving

BR Birch ----- (2)
 LM Laminate ----- (2)

Construction Options and Modifications

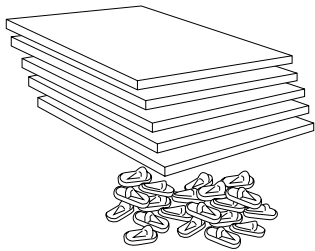
- ❖ Included as standard
- Available with an upcharge
- ☆ Available with exceptions

(Blank) Not available

(10a)

USK1524-1/2

Shelf Kits



1/2" Shelf	Width
USK15__	13 1/4"
USK18__	16 1/4"
USK24__	22 1/4"
5/8" Shelf	Width
USK30__	28 1/4"
USK36__	34 1/4"

(10a)

1/2" Thick Shelves
 Engineered Wood
 Utility Shelf Kit
 10 19/32" deep
USK1512-1/2
USK1812-1/2
USK2412-1/2
 19 19/32" deep
USK1521-1/2
USK1821-1/2
USK2421-1/2
 22 19/32" deep
USK1524-1/2
USK1824-1/2
USK2424-1/2

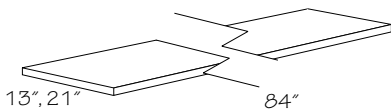
(10a)

5/8" Thick Shelves
 Plywood
 Utility Shelf Kit
 10 19/32" deep
USK3012-5/8
USK3612-5/8
 19 19/32" deep
USK3021-5/8
USK3621-5/8
 22 19/32" deep
USK3024-5/8
USK3624-5/8

- Easy to clean natural woodgrain laminated on both sides with matching edge banding on front edge
- Shelf kits that end in "1/2" are 1/2" thick engineered wood except USK3012-5/8, USK3612-5/8, US3024-5/8 and USK3624-5/8
- USK3012-5/8, USK3612-5/8, US3024-5/8 and USK3624-5/8 are 5/8" thick plywood and includes back supports
- Kit includes: five shelves, 20 clear supports, 30" and 36" wide shelf kits also include five clear back supports

❖ BR (2)
 ❖ LM (2)

New



Furniture Shelf Kit

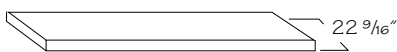
(10a)

13" Deep
FS1384
 21" Deep
FS2184

- 3/4" thick engineered wood
- Shelf load rating of 15 lbs. per square foot, **not** to exceed 50 lbs.
- 13" deep for books and decorative accessories, 21" deep for electronics
- Front and back edges finished
- Available in Birch finishes only
- Stained finishes are wood veneer; painted finishes are laminate
- Trimmed to fit installation
- Shelf supports **not** included
- One per carton

❖ BR (2)
 ❖ LM (2)

Base Shelving-Full Depth



(10a)

BS1224
BS1524
BS1824
BS2124
BS2424
BS2724

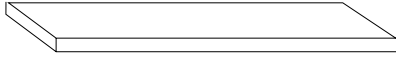
(10a)

BS3024
BS3324
BS3624
BS3924
BS4524
BS4824

- 1/2" engineered wood core
- Easy to clean natural woodgrain laminated on both sides with matching edge banding on front edge

❖ BR (2)
 ❖ LM (2)

Replacement Shelving



⑩a

Base Shelf
12" deep

RBS1212
RBS1512
RBS1812
RBS2112
RBS2412
RBS2712
RBS3012
RBS3312
RBS3312HDS
RBS3612
RBS3612HDS
RBS3912
RBS3912HDS
RBS4212
RBS4212HDS
RBS4512
RBS4512HDS
RBS4812
RBS4812HDS

Peninsula Base Shelf
24" deep

RBS1824PB
RBS2424PB
RBS3624PB
RBS4824PB

Base Corner Fixed Shelf
36" deep

RBS3636BCFS

Tall Shelf
12" deep

RTS1512
RTS1812
RTS2412
RTS3012
RTS3612

Tall Shelf
24" deep

RTS1524
RTS1824
RTS2424
RTS3024
RTS3324
RTS3624

Vanity Wall Recessed
4" deep

RVS1504VWR

Wall Shelf
12" deep

RWS0912
RWS1212
RWS1512
RWS1812
RWS2112
RWS2412
RWS2712
RWS3012
RWS3312
RWS3612
RWS3912
RWS4212
RWS4512
RWS4812

⑩a

Wall Shelf
15" deep

RWS0915
RWS1215
RWS1515
RWS1815
RWS2115
RWS2415
RWS2715
RWS3015
RWS3315
RWS3615
RWS3915
RWS4215
RWS4515
RWS4815

Wall Microwave Shelf
15" deep

RWS3015WMS

Wall Shelf
24" deep

RWS0924
RWS1224
RWS1524
RWS1824
RWS2124
RWS2424
RWS2724
RWS3024
RWS3324
RWS3624
RWS3924
RWS4224
RWS4524
RWS4824

Wall Angle
24" deep

RWS2424WA

Wall Angle
27" deep

RWS2727WA

Matching Interior
Wall Shelf
12" deep

RWS1512MI
RWS1812MI
RWS2112MI
RWS2412MI
RWS3012MI

Matching Interior
Wall Shelf
15" deep

RWS1515MI
RWS1815MI
RWS2115MI
RWS2415MI
RWS3015MI

Matching Interior
Wall Shelf
24" deep

RWS1524MI
RWS1824MI
RWS2124MI
RWS2424MI
RWS3024MI

- 1/2" engineered wood core
- Easy to clean natural woodgrain laminated on both sides with matching edge banding on front edge
- For Half Depth Shelf (HDS) items: Shelf will have a matching full-length support apron secured to the underside near the front edge for additional support
- For Matching Interior (MI) items: Matching easy to clean laminate on two sides with matching edge banding on front edge
- For Peninsula Base Shelf items: Matching edge banding on front and back edges

❖ BR ②
❖ LM ②

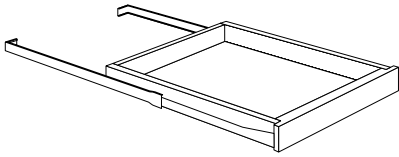
Grey color coding indicates new product, size or code.

Trays

10a

BTK12

Base Tray Kit - Standard



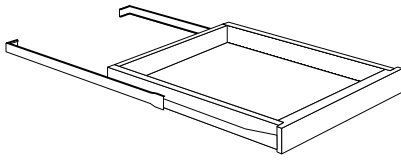
10a

- BTK12**
- BTK15**
- BTK18**
- BTK21**
- BTK24**
- BTK27B**
- BTK33**
- BTK36/39**
- BTK39**
- BTK45**

- BTK15, BTK18, and BTK24 include brackets and screws for installing in Utility cabinets (U), single door Utility cabinets utilize pre-drilled holes in cabinet end panels
- Installs in base and 24" deep utility cabinets. Base cabinets utilize pre-drilled holes in back panel; double door Utility cabinets utilize holes in end panels
- Includes tray core box, 3/4 extension left and right slides and installation hardware
- Tray front made of solid hardwood; tray sides, back and bottom panel are made of engineered wood covered with a moisture- and stain-resistant, easy clean laminate. Top edge of sides and back finished with matching edge banding
- One tray per kit
- Double-door cabinets with center stile require two kits if installing a tray on each side

Item	Tray Width	For Use In:
BTK12	8 3/4"	B12, B12FH, B24D, SB12, SB24D, UB12
BTK15	11 3/4"	B15, B15FH, B30, B30FH, SB15, SB30, U158424, U159024, U159624, U302484, U309024, U3090624, UB15, UB30, USB30
BTK18	14 3/4"	B18, B18FH, B36, B36FH, SB18, SB36, U188424, U189024, U189624, U362484, U369024, U369624, UB18, UB36, USB36
BTK21	17 3/4"	B21, B21FH, B42, B42FH, SB21, SB42, UB21, UB42
BTK24	20 3/4"	B24, B24FH, B48, B48FH, SB24, SB48, U248424, U249024, U249624, UB24
BTK27B	23 3/4"	B27B, B27BFH, SB27B, UB27B
BTK33	13 1/4"	B33, B33FH, BBC42/45, SB33
BTK36/39	7 1/4"	BBC36/39FH
BTK39	16 1/4"	B39, B39FH, BBC45/48, SB39
BTK45	19 1/4"	B45, BBC48/51, SB45, UB45FH

Vanity Tray Kit



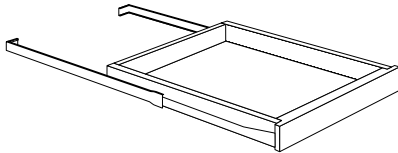
10a

VTK12
VTK15
VTK18
VTK21
VTK24
VTK27B
VTK33
VTK39

- Installs in 21" deep Vanity cabinets only, using pre-drilled holes in back panel
- Includes tray core box, 3/4 extension left and right slides and installation hardware
- Tray front is made of solid hardwood; tray sides, back and bottom panel are made of engineered wood covered with a moisture and stain-resistant, easy clean laminate. Top edge of sides and back finished with matching edge banding
- One tray per kit
- Double-door cabinets with center stile require two kits if installing a tray on each side

Item	Tray Width	For Use In:
VTK12	8 3/4"	VB12, VB1235, VSB42-2D, VSB4235-2D
VTK15	11 3/4"	VB15, VB15FH, VB1535FH, VB30FH, VB3035FH, VB1535, VCD30DR/L, VCD3035DR/L, VSB30, VSB3035, VSB48-2D, VSB4835-2D, VSBT60-2D, VSBT6035-2D
VTK18	14 3/4"	VB18, VB18FH, VB1535FH, VB36FH, VB3635FH, VB1835, VCD36DR/L, VCD3635DR/L, VSB36, VSB3635, VSB36-2D, VSB3635-2D, VSB54-2D, VSB5435-2D
VTK21	17 3/4"	VB21, VB2135, VCD42DR/L, VCD4235DR/L, VSB42
VTK24	20 3/4"	VB24, VB2435, VSB24, VSB2435, VSBT60-3D, VSBT60-4D
VTK27B	23 3/4"	VSB27B, VSB2735B
VTK33	13 1/4"	VCD33DR/L, VCD3335DR/L, VSB33, VSB3335
VTK39	16 1/4"	VSB3935-2D

Roll-Out Trays - Solid Wood



10a

ROT1524
ROT1824
ROT2424
ROT4524

- ROT1524, ROT1824, and ROT2424 include brackets and screws for installing in 24" deep Utility cabinets (U), single door Utility cabinets utilize pre-drilled holes in cabinet end panels
- Installs in base and 24" deep Utility cabinets. Base cabinets utilize pre-drilled holes in back panels; double door Utility cabinets utilize holes in the end panels
- Natural finish
- Includes tray core box, 3/4 extension left and right slides and installation hardware
- Solid hardwood tray core with 3/4" thick front and 1/2" thick sides and back
- 3/16" thick plywood bottom panel finished on the top side with a moisture and stain resistant, easy clean laminate with printed matching wood grain
- One tray per kit
- Double-door cabinets with center stile require two kits if installing a tray on each side

Item	Tray Width	For Use In:
ROT1524	11 3/4"	B15, B15FH, B30, B30FH, SB15, SB30, U158424, U159024, U159624, U308424, U309024, U309624, UB15, UB30, USB30
ROT1824	14 3/4"	B18, B18FH, B36, B36FH, SB18, SB36, U188424, U189024, U189624, U368424, U369024, U369624, UB18, UB36, USB36
ROT2424	20 3/4"	B24, B24FH, B48, B48FH, SB24, SB48, U248424, U249024, U249624, UB24
ROT4524	19 1/4"	B45, BBC48/51, SB45, UB45FH

Notes

Support and Valances

BR Birch ----- (2)
 LM Laminate ----- (2)

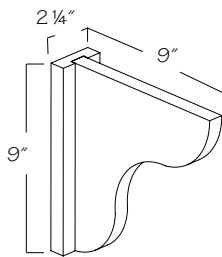
Construction Options and Modifications

- ❖ Included as standard
- Available with an upcharge
- ☆ Available with exceptions

(Blank) **Not** available



Countertop Support Bracket

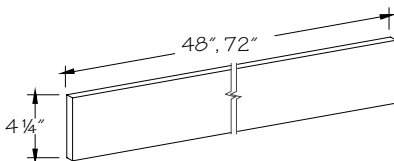


(10a)
CTSB
CTSB-2

- Solid wood
- Vertical wood grain
- For use as additional shelf or countertop support
- Mounting hardware included
- Available in all finishes
- Cotton and White are painted hardwood
- Offered individually or two per carton

❖ BR (2)
 ❖ LM (2)

Valance Contemporary



(10a)
V48C
V72C

- 3/4" thick solid wood
- Square edges
- Trimmable
- Finished on both sides and both long edges
- Available in all finishes
- Cotton and White are painted hardwood
- One per carton

❖ BR (2)
 ❖ LM (2)

Moldings

BR Birch ----- (2)

LM Laminate ----- (2)

Construction Options and Modifications

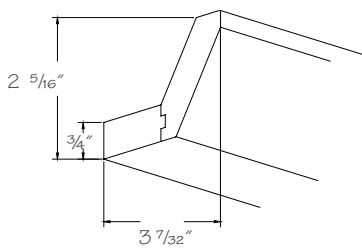
- ❖ Included as standard
- Available with an upcharge
- ☆ Available with exceptions

(Blank) **Not** available

(10a)

ACM8

Angle Crown Molding



(10a)

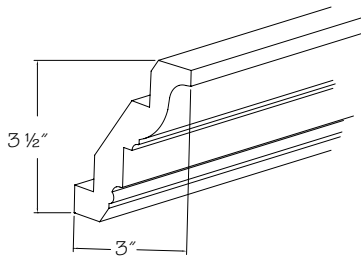
ACM8
ACM8-6

- Solid wood
- Available in Birch finishes only
- **Not** available in Print Molding or White
- Installs directly to top of cabinet
- Allow sufficient space between top of cabinet and soffit or ceiling to accommodate molding
- For use with traditional or full overlay door styles
- Offered in individual 8' lengths or cartons of six (48 ft.)

❖ BR (2)

LM (2)

Classic Crown Molding



(10a)

8' length
Solid Wood
CCM8
12' length
White only
CCM12

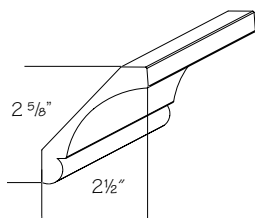
- CCM8:
 - Solid hardwood
 - Available in Birch finishes only
 - Offered individual 8' lengths
- CCM12:
 - Paper wrapped
 - Available in White only
 - Offered in individual 12' lengths
- **Not** available in print molding
- Backs **not** finished
- Allow sufficient space between top of cabinet and soffit or ceiling to accommodate molding

❖ BR (2)

❖ LM (2)

New

Cove Large Molding



(10a)

CVLM8
CVLM8-4

Grey color coding indicates new product, size or code.

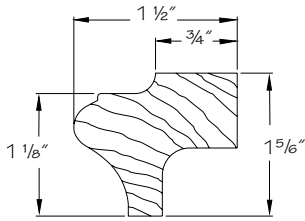
- Solid wood
- Available in Birch finishes only
- Back **not** finished
- Allow sufficient space between top of cabinet and soffit or ceiling to accommodate molding
- Offered in individual 8' lengths or cartons of 4 (32 ft.)

❖ BR (2)

LM (2)

New

Cove Light Rail Molding



⑩a

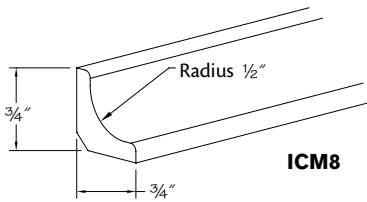
CVLR8
CVLR8-6

Grey color coding indicates new product, size or code.

- Solid wood
- Can be used under wall cabinets to conceal light fixtures
- Available in Birch finishes only
- All surfaces finished
- Offered in individual 8' lengths or cartons of six (48 ft.)

❖ **BR** ②
LM ②

Corner Molding



⑩a

Inside Corner Molding
Solid Wood

ICM8
ICM8-10

Print
ICM8P
ICM8P-10

⑩a

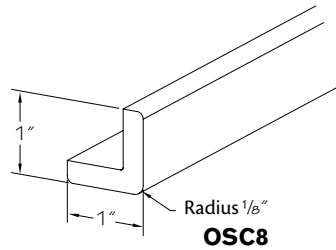
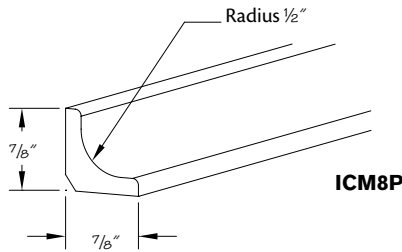
Outside Corner Molding
Solid Wood

OSC8
OSC8-10

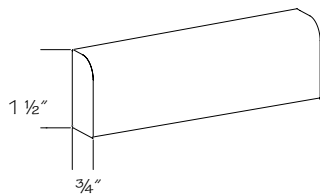
Print
OSC8P
OSC8P-10

- ICM8, ICM8-10, OSC8, OSC8-10:
 - Solid wood, except White
 - White is paper wrapped
 - Available in all Birch finishes
- ICM8P, ICM8P-10, OSC8P, OSC8P-10:
 - Woodgrain print molding
 - Available in Clove, Mirage, and Twilight finishes only
- Backs **not** finished
- Offered in individual 8' lengths or cartons of 10 (80 ft.)

❖ **BR** ②
❖ **LM** ②



Countertop Molding



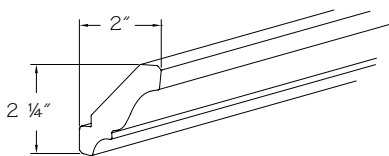
⑩a

CTR8
CTR8-10

- Used as countertop nosing
- Can be used under wall cabinets to conceal light fixtures
- Solid wood
- Backs **not** finished
- Available in Birch finishes only
- **Not** available in Print Molding or White
- Offered in individual 8' lengths or cartons of 10 (80 ft.)

❖ **BR** ②
LM ②

Crown Molding



⑩a

Solid Wood
CM8
CM8-10

Print
CM8P
CM8P-10

White only

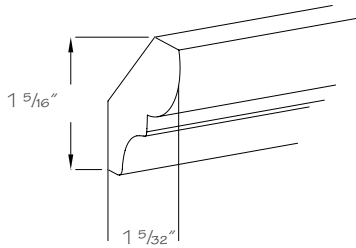
☆ **CM12**

☆ Available in White only

- CM8, CM8-10:
 - Solid wood, except White
 - White is paper wrapped
 - Available in all Birch finishes
 - Offered in individual 8' lengths or cartons of 10 (80 ft.)
- CM8P, CM8P-10:
 - Woodgrain print molding
 - Available in Clove, Mirage, and Twilight finishes only
 - Offered in individual 8' lengths or cartons of 10 (80 ft.)
- Backs **not** finished
- Allow sufficient space between top of cabinet and soffit or ceiling to accommodate molding
- White offered in individual 12' lengths

☆ **BR** ②
❖ **LM** ②

Crown Soffit Molding

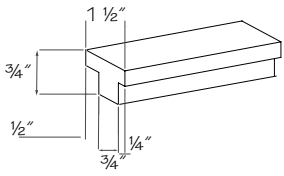


⑩a
CSM8
CSM8-10

- Solid wood
- Available in Birch finishes only
- **Not** available in Print Molding or White
- Backs **not** finished
- Allow sufficient space between top of cabinet and soffit or ceiling to accommodate molding
- Offered in individual 8' lengths or cartons of 10 (80 ft.)

❖ BR ②
❖ LM ②

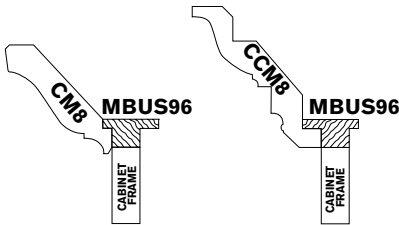
Molding Build-Up Strip 96"



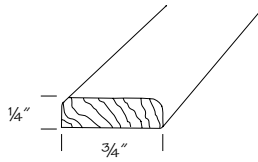
⑩a
MBUS96
MBUS96-6

- Unfinished soft wood
- "V" notch on back of Crown Molding (CM) required
- Designed for Crown Molding (CM) installation. Allows installer to fasten molding without face nailing.
- Offered in individual 8' lengths or cartons of six (48 ft.)

❖ BR ②
❖ LM ②



Narrow Batten Molding

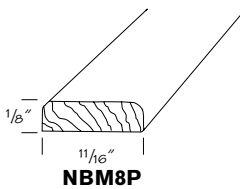


NBM8

⑩a
Solid Wood
NBM8
NBM8-20
Print
NBM8P
NBM8P-20

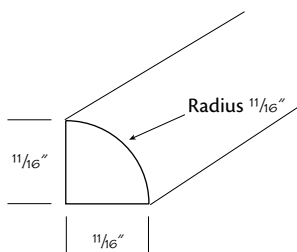
- NBM8, NBM8-20:
 - Solid wood, except White
 - White is paper wrapped
 - Available in all Birch finishes
- NBM8P, NBM8P-20:
 - Woodgrain print molding
 - Available in Clove, Mirage, and Twilight finishes only
- Backs **not** finished
- Offered in individual 8' lengths or cartons of 20 (160 ft.)

❖ BR ②
❖ LM ②



NBM8P

Quarter Round Molding

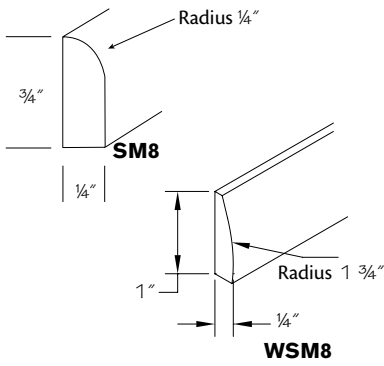


⑩a
QR8
QR8-10

- Solid wood, except White
- White is paper wrapped
- Available in Birch finishes
- **Not** available in print molding
- Backs **not** finished
- Can be used to trim between toe kick and floor
- Moldings may be shipped with the back corner mitered off
- Offered in individual 8' lengths or cartons of 10 (80 ft.)

❖ BR ②
❖ LM ②

Scribe Molding

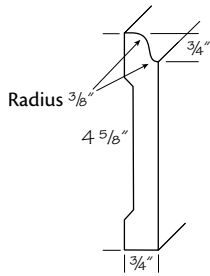


⑩a
Scribe Molding
 Solid Wood
SM8
SM8-20
Print
SM8P
SM8P-20
Wide Scribe Molding
 Solid Wood
WSM8
WSM8-10
Print
WSM8P
WSM8P-10

- SM8, SM8-20, WSM8, WSM8-10:
 - ❖ BR ②
 - ❖ LM ②
- Solid wood, except White
- White is paper wrapped
- Available in all Birch finishes
- SM8P, SM8P-20, WSM8P, WSM8P-10:
 - Woodgrain print molding
 - Available in Clove, Mirage, and Twilight finishes only
- Backs **not** finished
- SM8 and SM8P offered in individual 8' lengths or cartons of 20 (160 ft.)
- WSM8 and WSM8P offered in individual 8' lengths or cartons of 10 (80 ft.)

New

Traditional Furniture Base



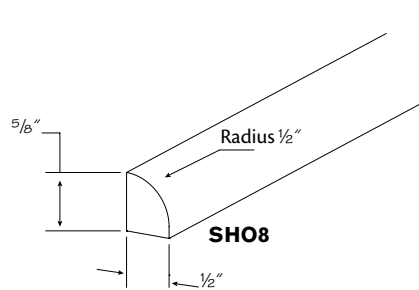
⑩a
TFB8

Grey color coding indicates new product, size or code.

- Solid wood
- Backs **not** finished
- Available in Birch finishes only
- Offered in individual 8' lengths

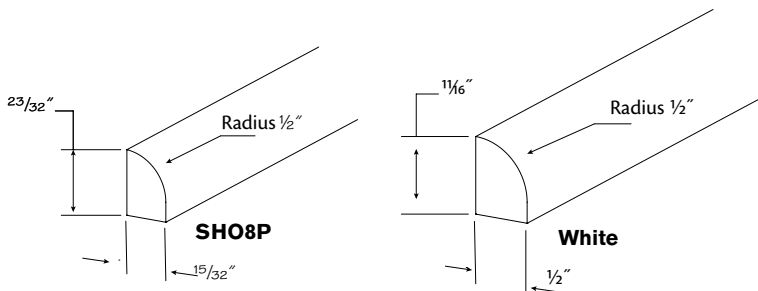
❖ BR ②
 ❖ LM ②

Shoe Molding

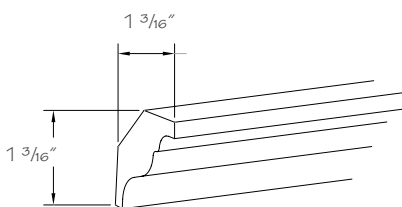


⑩a
Solid Wood
SHO8
SHO8-25
Print
SHO8P
SHO8P-25

- Used as inside corner molding or trim between toe kick and floor
- SHO8, SHO8-25:
 - ❖ BR ②
 - ❖ LM ②
- Solid wood, except White
- White is paper wrapped
- Available in all Birch finishes
- SHO8P, SHO8P-25:
 - Woodgrain print molding
 - Available in Clove, Mirage, and Twilight finishes only
- Backs **not** finished
- Offered in individual 8' lengths or cartons of 25 (200 ft.)



Soffit Crown Molding



⑩a
SCM8

- Paper wrapped
- Available in White only
- Backs **not** finished
- Allow sufficient space between top of cabinet and soffit or ceiling to accommodate molding
- Offered in individual 8' lengths

❖ BR ②
 ❖ LM ②

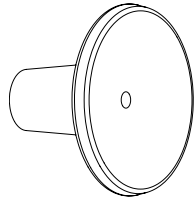
Hardware - Knobs

Construction Options and Modifications

10a

P50150-BLC-C

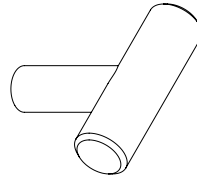
Concave Round Knob Chrome



10a

P65010-CHR-A

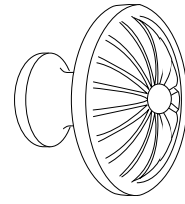
Flat End Bar Knob Stainless Steel



10a

P02140-SS-C

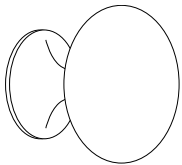
French Tassel Knob Brushed Satin Pewter



10a

PN1291-BSP-C

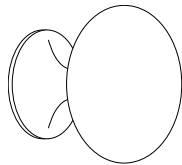
Large Football Knob Oil Rubbed Bronze



10a

PN0393-OB-C

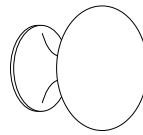
Large Football Knob Satin Nickel



10a

PN0393-SN-C

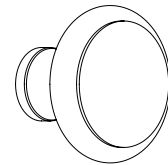
Medium Football Knob Polished Chrome



10a

PN0395-PC-C

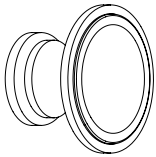
Perimeter Knob Satin Nickel



10a

PN0409-SN-C

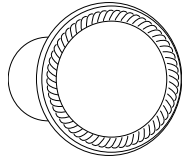
Ridge Knob Venetian Bronze



10a

PN0408-VBR-C

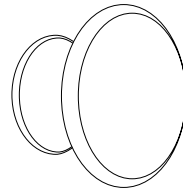
Rope Edged Knob Satin Nickel



10a

PN0293-SN-C

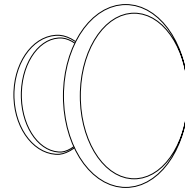
Round Knob Black Chrome



10a

P50150-BLC-C

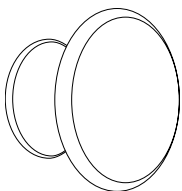
Round Knob Polished Brass



10a

P50153-PB-C7

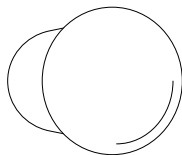
Round Knob Sterling Nickel



10a

P50154-STN-C

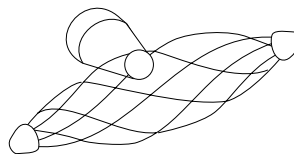
Round Knob White Ceramic



10a

P95712-W-C

Small Birdcage Oval Knob Antique Pewter



10a

PN0528-AP-C

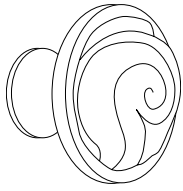
Sundial Round Knob Antique Brass



10a

P775A0-AB-C

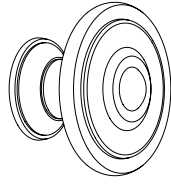
Totem Knob Satin Pewter



⑩a

PBF304-BSP-C

Two Tone Knob Antique Copper Nickel



⑩a

PN5025-ACN-C7

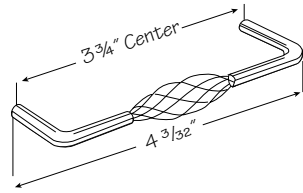
Hardware - Pulls

Construction Options and Modifications

10a

P13101-PC-C

Birdcage Wire Pull Antique Pewter



10a

PN0534-AP-C

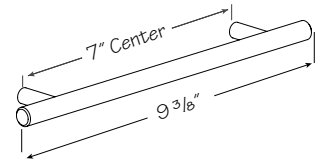
Cup Pull Satin Nickel



10a

PN0602-SN-C

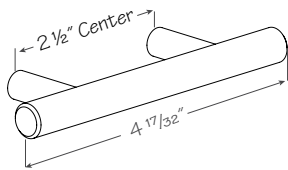
Flat End Bar Pull Stainless Steel



10a

P02112-SS-C

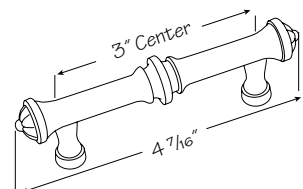
Flat End Bar Pull Stainless Steel



10a

P02164-SS-C

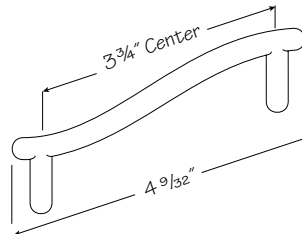
French Tassel Pull Brushed Satin Pewter



10a

PN1293-BSP-C

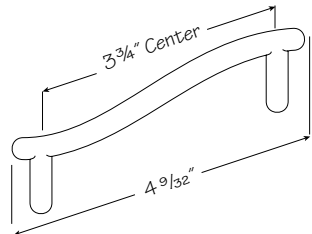
Fusilli Pull Black Nickel



10a

P83506-BLN-C

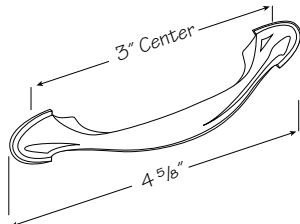
Fusilli Pull Satin Nickel



10a

P83506-SN-C

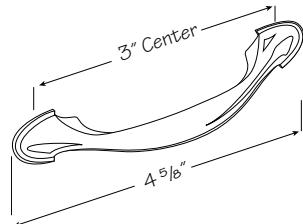
Half Round Foot Pull Antique Brass



10a

P39955-AB-C

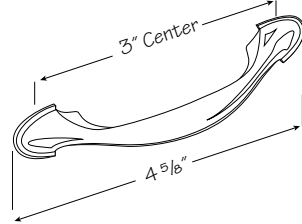
Half Round Foot Pull Oil Rubbed Bronze



10a

P39955-OBD-C

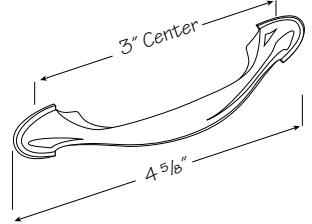
Half Round Foot Pull Polished Brass



10a

P39955-PB-C7

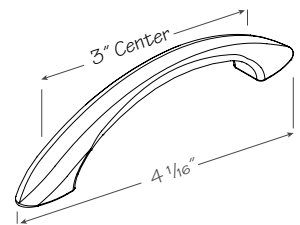
Half Round Foot Pull Satin Nickel



10a

P39955-SN-C

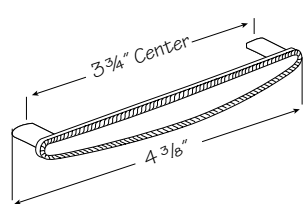
Pull Polished Chrome



10a

P13101-PC-C

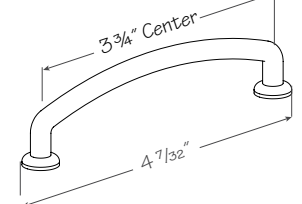
Rope Edged Pull Satin Nickel



10a

PN0402-SN-C

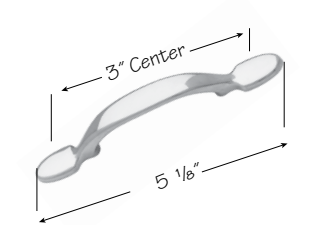
Slender Pull Venetian Bronze



10a

P45005-VBR-C

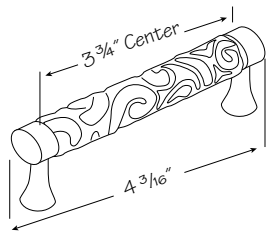
Spoon Foot Pull Polished Chrome



10a

P50121-PC-C7

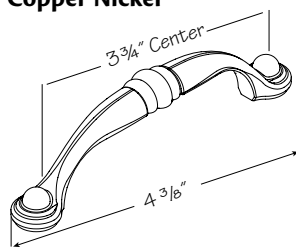
Totem Pull Satin Pewter



10a

PBF305-BSP-C

Two Tone Pull Antique Copper Nickel



10a

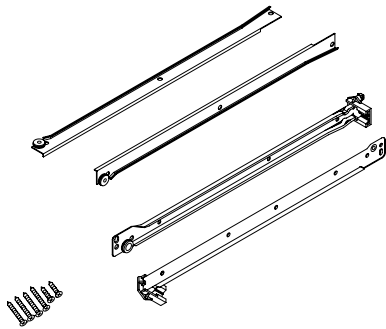
PN5024-ACN-C7

Notes

Hardware

10a

HIN170FRM-1CT



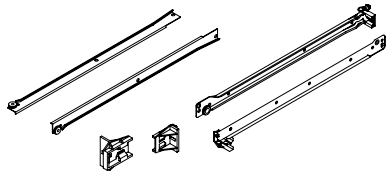
3/4 Extension Side Mount Roller Guide Kit

10a

GDESM18KIT
GDESM21KIT
GDESM24KIT

- 75 lbs. capacity
- White epoxy coated steel
- Kit includes left and right guides and mounting hardware
- 18 deep used on 18" deep cabinets
- 21 deep used on 21" deep cabinets
- 24 deep used on 24" deep cabinets
- One kit per carton

New



3/4 Extension Side Mount Roller Guide Peninsula Base Kit

10a

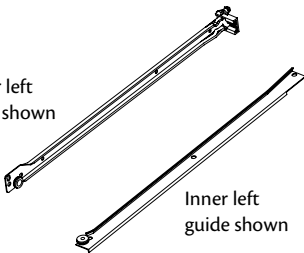
GDESMPB24KIT

Grey color coding indicates new product, size or code.

- 75 lbs. capacity
- White epoxy coated steel
- Kit includes left and right guides and mounting hardware
- Used on Peninsula Base (PB) cabinets
- One kit per carton

3/4 Extension Side Mount Roller Guides

Outer left
guide shown



Inner left
guide shown

10a

Inner Left
GDESMIL18
GDESMIL18-10
GDESMIL21
GDESMIL21-10
GDESMIL24
GDESMIL24-10

Inner Right
GDESMIR18
GDESMIR18-10
GDESMIR21
GDESMIR21-10
GDESMIR24
GDESMIR24-10

10a

Outer Left
GDESMOL18
GDESMOL18-10
GDESMOL21
GDESMOL21-10
GDESMOL24
GDESMOL24-10

Outer Right
GDESMOR18
GDESMOR18-10
GDESMOR21
GDESMOR21-10
GDESMOR24
GDESMOR24-10

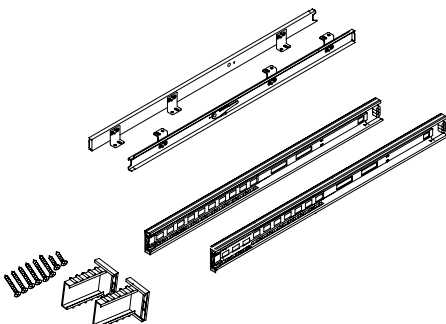
- 75 lbs. capacity
- White epoxy coated steel
- 18 deep used on 18" deep cabinets
- 21 deep used on 21" deep cabinets
- 24 deep used on 24" deep cabinets
- Offered individually or 10 per carton

Full Extension Side Mount Ball Bearing Guide Kit

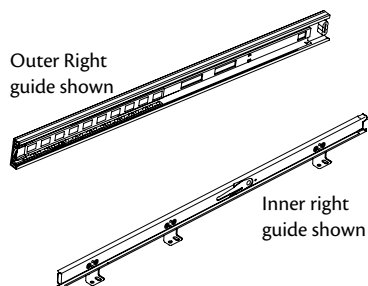
10a

21" Deep
GDEFESMBB21KIT
24" Deep
GDEFESMBB24KIT

- 75 lbs. capacity
- 21 deep used on 21" deep cabinets
- 24 deep used on 24" deep cabinets
- Full extension guide, pulls out past the face frame
- Kit includes left and right guides and mounting hardware
- One kit per carton



Full Extension Side Mount Ball Bearing Guides



⑩a

Inner Left
GDEFESMBBIL21
GDEFESMBBIL21-10
GDEFESMBBIL24
GDEFESMBBIL24-10

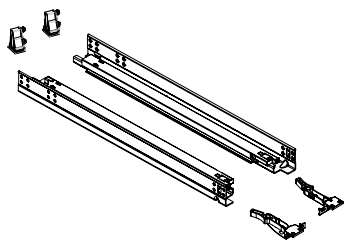
⑩a

Inner Right
GDEFESMBBIR21
GDEFESMBBIR21-10
GDEFESMBBIR24
GDEFESMBBIR24-10

Outer
GDEFESMBO21
GDEFESMBO21-10
GDEFESMBO24
GDEFESMBO24-10

- 75 lbs. capacity
- Full extension guide, pulls out past the face frame
- 21 deep used on 21" deep cabinets
- 24 deep used on 24" deep cabinets
- Offered individually or 10 per carton

Full Extension Under Mount Soft-Close Guide Kit

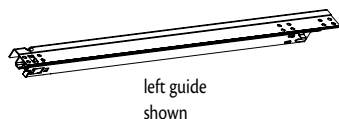


⑩a

GDEUMFESA18KIT
GDEUMFESA21KIT
GDEUMFESA24KIT

- 75 lbs. capacity
- Full extension guide, pulls out past the face frame
- Integrated soft-close closing mechanism
- Kit includes left and right guides and mounting hardware
- 18 deep used on 18" deep cabinets
- 21 deep used on 21" deep cabinets
- 24 deep used on 24" deep cabinets
- One kit per carton

Full Extension Under Mount Soft-Close Guides

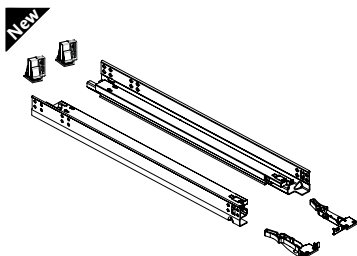


⑩a

Left
GDEUMFESAL18
GDEUMFESAL21
GDEUMFESAL24

Right
GDEUMFESAR18
GDEUMFESAR21
GDEUMFESAR24

- 75 lbs. capacity
- Full extension guide, pulls out past the face frame
- Integrated soft-close closing mechanism
- 18 deep used on 18" deep cabinets
- 21 deep used on 21" deep cabinets
- 24 deep used on 24" deep cabinets
- One kit per carton



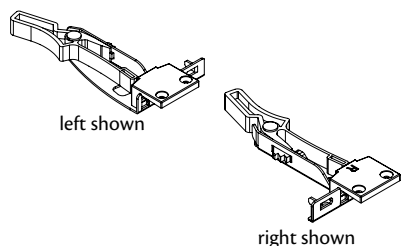
Full Extension Under Mount Soft-Close Peninsula Base Guide Kit

⑩a

GDEUMFESAPB24KIT

Grey color coding indicates new product, size or code.

- 75 lbs. capacity
- Full extension guide, pulls out past the face frame
- Integrated soft-close closing mechanism
- 24 deep used on 24" deep cabinets
- One kit per carton

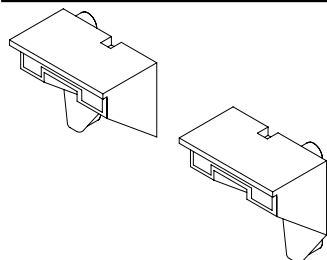


Locking Device - Full Extension Under Mount Soft-Close Guides

⑩a

Left
LKDVUMFESAGDEL
Right
LKDVUMFESAGDER

- LKDVUMFESAGDEL attaches under left front corner of drawer core
- LKDVUMFESAGDER attaches under right front corner of drawer core
- One per carton



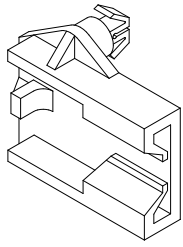
Rear Mounting Bracket Set

⑩a

RPLRMTGBRKT_BWBTSET

- Rear mounting bracket for the Base Wastebasket Top Mount (BWBT). Includes right and left brackets
- One set per carton

Rear Mounting Bracket - 3/4 Extension Side Mount Roller Guides

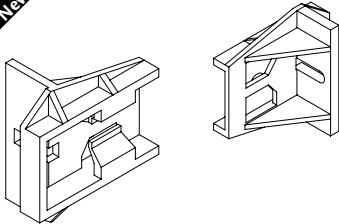


⑩a

RMBSMGDE
RMBSMGDE-25

- Attaches using the guide holes in the back of the cabinet
- For use with 3/4 Extension Side Mount Roller Guides
- Offered individually or quantities of 25 per carton

New



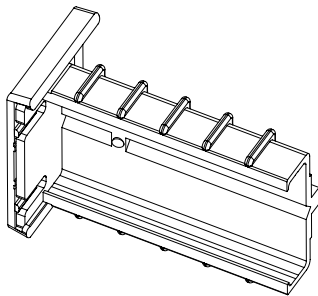
Rear Mounting Bracket - 3/4 Extension Side Mount Roller Guides Peninsula Base

⑩a

RMBSMGDEPB
RMBSMGDEPB-2

Grey color coding indicates new product, size or code.

- Attaches to back frame of cabinet using a screw
- For use with Peninsula Base (PB) cabinets with 3/4 Extension Side Mount Roller Guides
- Offered individually or two per carton

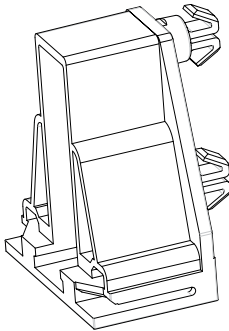


Rear Mounting Bracket - Full Extension Side Mount Ball Bearing Guides

⑩a

RMBFESMBBGDE

- Attaches using the guide holes in the back of the cabinet
- One per carton



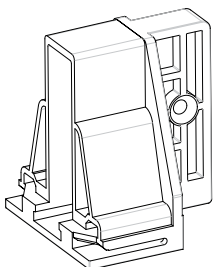
Rear Mounting Bracket - Full Extension Under Mount Soft-Close Guides

⑩a

RMBUMFESAGDE-2

- Attaches using the guide holes in the back of the cabinet
- Two per carton

New



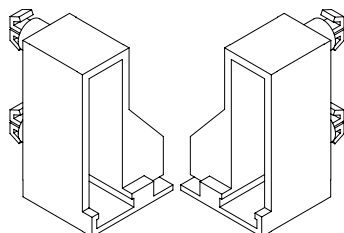
Rear Mounting Bracket - Full Extension Under Mount Soft-Close Guides Peninsula Base

⑩a

RMBUMFESAGDEPB-2

Grey color coding indicates new product, size or code.

- Attaches to back frame of cabinet using a screw
- Two per carton

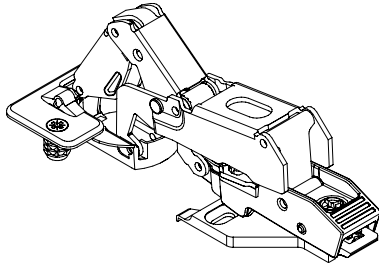


Rear Mounting Bracket - Full Extension Under Mount Soft-Close Guides DKD

⑩a

RMBUMFESAGDEDKDSET

- Attaches using the guide holes in the back of the cabinet
- Includes a left and right rear mounting bracket
- One set per carton

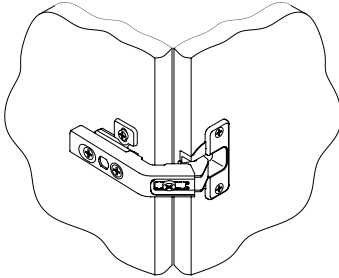


170 Degree Hinge

⑩a

HIN170FRM-1CT
HIN170FRM-10CT

- Nickel plated finish
- Includes hinge and mounting plate
- Used on Traditional and Full Overlay Base Corner Revolving (BCR) and Base Corner Fixed Shelf (BCFS) cabinets
- Offered individually or 10 per carton

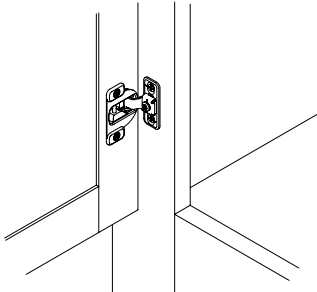


Bi-Fold Hinge

⑩a

HINBIFOLD-1CT
HINBIFOLD-10CT

- Nickel plated finish
- Includes hinge and mounting plate
- Used on Traditional and Full Overlay Base Corner Revolving (BCR) and Base Corner Fixed Shelf (BCFS) cabinets
- Offered individually or quantities of 10

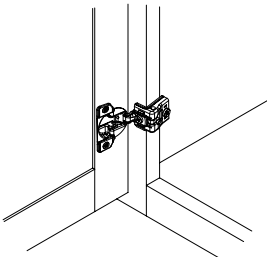


Face Mount Hinge

⑩a

HINFM-1PR
HINFM-10PR

- Nickel plated finish
- Used on Traditional and Full Overlay Oven Cabinet Universal (OCU) cabinets
- Offered as a pair or 10 pairs per carton

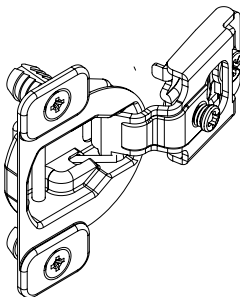


Full Overlay 6 Way Hinge

⑩a

HINFOL6WY-1PR
HINFOL6WY-10PR

- Nickel plated finish
- 6 way door adjustment
- Includes hinges and mounting screws
- Used on Full Overlay cabinets
- Offered as a pair or 10 pairs per carton

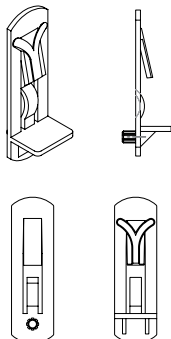


Traditional Overlay 6 Way Hinge

⑩a

HINTOL6WY-1PR
HINTOL6WY-10PR

- Nickel plated finish
- 6 way door adjustment
- Includes hinges and mounting screws
- Used on Traditional Overlay cabinets
- Offered as a pair or 10 pairs per carton



1/2", 5/8" and 3/4" Shelf Clip

⑩a

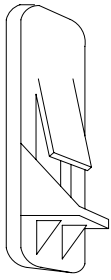
1/2" Shelf Clip
SHCLP12
SHCLP12-20
SHCLP12-100

⑩a

5/8" Shelf Clip
SHCLP58
SHCLP58-20
SHCLP58-100

3/4" Shelf Clip
SHCLP34
SHCLP34-20
SHCLP34-100

- Clear plastic locking clip
- Offered individually or quantities of 20 and 100



Left Clip Shown

1/2" Shelf Clip with Stop

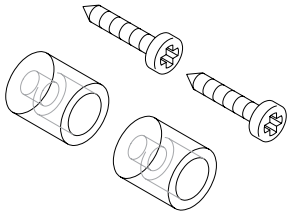
⑩a

Left
SHCLPLK12L
SHCLPLK12L-20

Right
SHCLPLK12R
SHCLPLK12R-20

- Clear plastic locking clip with front edge restraint
- Used for base cabinets with Half Depth Shelf Option
- Offered individually or 20 per carton

Shelf Support Back Pack

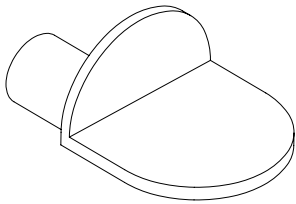


⑩a

SHSUPBPK
SHSUPBPK-100

- Clear plastic shelf support back
- Includes 2 supports and 2 screws per pack
- Used to support the back edge of shelf, attaches to back of cabinet with a screw
- Offered individually or 100 per carton

Shelf Support Center

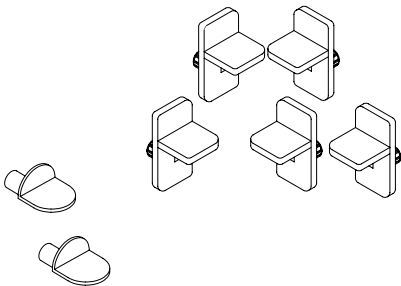


⑩a

SHSUPC
SHSUPC-10

- Clear plastic center shelf support
- Used to support the front edge of shelf, insert into hole in back of center stile
- Offered individually or 10 per carton

Shelf Support Pack

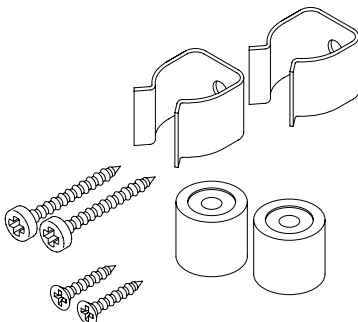


⑩a

SHSUPPK
SHSUPPK-25

- Clear plastic shelf support/center shelf support
- Includes 5 supports and 2 center shelf support
- Used in Bookcase (BK) cabinets
- Offered individually or quantities of 25 per carton

Vent Clip Pack

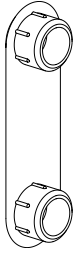


⑩a

VNTCLPPK
VNTCLPPK-25

- Used to attach false drawer fronts on Sink Base and select Vanity Cabinets
- Includes two clips, two post and mounting screws per pack
- Offered individually or quantities of 25 per carton

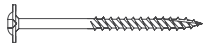
Back Plugs



⑩a
BACKPLUG2H-10
BACKPLUG2H-100

- Clear plastic plugs for base and vanity cabinet back panel factory drilled holes
- Each plug fills a pair of 10mm holes
- Offered in quantities of 10 or 100 per carton

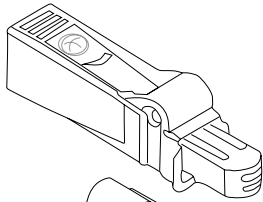
Installation Screws



⑩a
INSTALLSCREWS-100

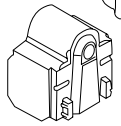
- Offered in quantities of 100
- Used to secure cabinets to the wall and face frames together

Soft-Close Door Hardware

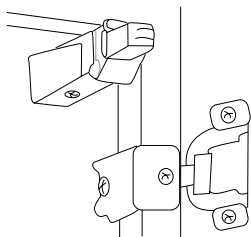
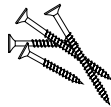


⑩a
SADO

- Soft-closing technology provides smooth and silent closure of door
- One required per door; U, and UF cabinets require two
- Mounting hardware included
- One per carton



Partial overlay spacer and screws



Cabinet	Prep for Glass Accessory Door	Traditional Overlay Size	Full Overlay Size
OCU3096*+	AHDO1530	13 1/4 x 28	14 5/8 x 29 1/4
U1596*	AHDO1530	13 1/4 x 28	14 5/8 x 29 1/4
U159624*	AHDO1530	13 1/4 x 28	14 5/8 x 29 1/4
U3096*+	AHDO1530	13 1/4 x 28	14 5/8 x 29 1/4
U309624*+	AHDO1530	13 1/4 x 28	14 5/8 x 29 1/4
W1530	AHDO1530	13 1/4 x 28	14 5/8 x 29 1/4
W3030	AHDO1530	13 1/4 x 28	14 5/8 x 29 1/4
WA2430	AHDO1530WA	Use AHDO3330	14 5/8 X 29 1/4
WA2730	AHDO1530WA	Use AHDO3330	14 5/8 X 29 1/4
W1536	AHDO1536	13 1/4 x 34	14 5/8 x 35 1/4
W3036	AHDO1536	13 1/4 x 34	14 5/8 x 35 1/4
WA2436	AHDO1536WA	Use AHDO3336	14 5/8 x 35 1/4
WA2736	AHDO1536WA	Use AHDO3336	14 5/8 x 35 1/4
W1542	AHDO1542	13 1/4 x 40	14 5/8 x 41 1/4
W3042	AHDO1542	13 1/4 x 40	14 5/8 x 41 1/4
WA2442	AHDO1542WA	Use AHDO3342	14 5/8 x 41 1/4
WA2742	AHDO1542WA	Use AHDO3342	14 5/8 x 41 1/4
U1896*	AHDO1830	16 1/4 x 28	17 5/8 x 29 1/4
U189624*	AHDO1830	16 1/4 x 28	17 5/8 x 29 1/4
U3696*+	AHDO1830	16 1/4 x 28	17 5/8 x 29 1/4
U369624*+	AHDO1830	16 1/4 x 28	17 5/8 x 29 1/4
W1830	AHDO1830	16 1/4 x 28	17 5/8 x 29 1/4
W3630+	AHDO1830	16 1/4 x 28	17 5/8 x 29 1/4
W1836	AHDO1836	16 1/4 x 34	17 5/8 x 35 1/4
W3636+	AHDO1836	16 1/4 x 34	17 5/8 x 35 1/4
W1842	AHDO1842	16 1/4 x 40	17 5/8 x 41 1/4
W3642+	AHDO1842	16 1/4 x 40	17 5/8 x 41 1/4
W2130	AHDO2130	19 1/4 x 28	20 5/8 x 29 1/4
W4230+	AHDO2130	19 1/4 x 28	20 5/8 x 29 1/4
W2136	AHDO2136	19 1/4 x 34	20 5/8 x 35 1/4
W4236+	AHDO2136	19 1/4 x 34	20 5/8 x 35 1/4
W2142	AHDO2142	19 1/4 x 40	20 5/8 x 41 1/4
W4242+	AHDO2142	19 1/4 x 40	20 5/8 x 41 1/4
U2496	AHDO2430	22 1/4 x 28	23 5/8 x 29 1/4
U249624	AHDO2430	22 1/4 x 28	23 5/8 x 29 1/4
UF2496	AHDO2430	22 1/4 x 28	23 5/8 x 29 1/4
W2430	AHDO2430	22 1/4 x 28	23 5/8 x 29 1/4
W4830+	AHDO2430	22 1/4 x 28	23 5/8 x 29 1/4
W2436	AHDO2436	22 1/4 x 34	23 5/8 x 35 1/4
W2442	AHDO2442	22 1/4 x 40	23 5/8 x 41 1/4
OCU3396*+	AHDO3330	14 3/4 x 28	16 1/8 x 29 1/4
W3330+	AHDO3330	14 3/4 x 28	16 1/8 x 29 1/4
WA2430	AHDO3330	14 3/4 x 28	Use AHDO1530WA
WA2730	AHDO3330	14 3/4 x 28	Use AHDO1530WA
WBC30/3330BL	AHDO3330	14 3/4 x 28	16 1/8 x 29 1/4
WBC30/3330BR	AHDO3330	14 3/4 x 28	16 1/8 x 29 1/4
W3336+	AHDO3336	14 3/4 x 34	16 1/8 x 35 1/4
WA2436	AHDO3336	14 3/4 x 34	Use AHDO1536WA
WA2736	AHDO3336	14 3/4 x 34	Use AHDO1536WA
WBC30/3336BL	AHDO3336	14 3/4 x 34	16 1/8 x 35 1/4
WBC30/3336BR	AHDO3336	14 3/4 x 34	16 1/8 x 35 1/4
W3342+	AHDO3342	14 3/4 x 40	16 1/8 x 41 1/4
WA2442	AHDO3342	14 3/4 x 40	Use AHDO1542WA
WA2742	AHDO3342	14 3/4 x 40	Use AHDO1542WA
WBC30/3342BL	AHDO3342	14 3/4 x 40	16 1/8 x 41 1/4
WBC30/3342BR	AHDO3342	14 3/4 x 40	16 1/8 x 41 1/4

* = Top Door Only + = Order 2 for cabinet

Accessory Hinged Prep for Glass Door Information

- Accessory Hinged Prep for Glass Door (PG) is available in select door styles and sizes. See informational chart for quantities needed for each cabinet
- Traditional Overlay available in Harborview or Seacrest door styles only
- Full Overlay available in Kittery door style only

Example for ordering Accessory Hinged Prep for Glass Doors: 10 **Model + Options**

10a	10c	10e		
Model	Hinging	Code	Glass Door	Code
AHDO1830	Left	L	Left	(SKU:AHDO1830LPG)
AHDO1830	Right	R	Right	(SKU:AHDO1830RPG)

Touch Up Materials

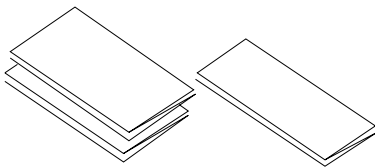


Cabinet Care Kit



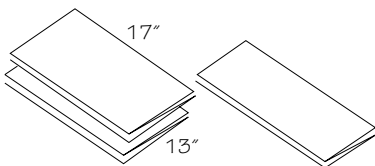
- One 8 oz. squeeze bottle of concentrated wood cleaner
- One 8 oz. squeeze bottle of cabinet/furniture polish and restorer
- Two 13" x 12" cleaning and polishing cloths
- One 17" x 13" dusting cloth
- Direct ship program

Cabinet Cleaning and Polishing Cloths



- 13" x 12" cleaning and polishing cloths
- 25 per carton
- Direct ship program

Cabinet Dusting Cloths



- Treated to pick up and hold dust within cloth
- Six per carton
- Direct ship program

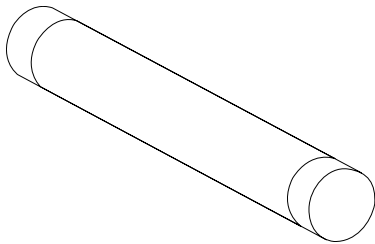
Cabinet Repair Kit



⑩a
CRK

- Repairs:
 - Scratches and chipped areas
 - Open joints
 - Cracks, cavities
 - Finish runs
 - Rough finish
 - Finish edge cut-through
 - Burn marks
 - Spray finish applications
 - Putty applications
- Kit includes:
 - 1-13 oz. can Touch-up Primer
 - 1-13 oz. can Touch-up Topcoat
 - 1-4 oz. can Soft White Putty
 - 1-1 oz. tube SeamFil
 - 1-Touch-up Marker
 - 1-Fill Stick
 - 1-Piece 220x Sand Paper
 - 3-Page instruction sheet
- Available in Cotton and White only

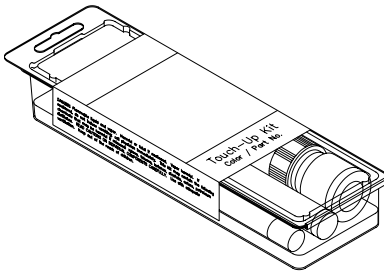
Fill Stick



⑩a
FS
FS-12

- Matching putty crayon
- Available in all finishes
- Offered individually or 12 per carton

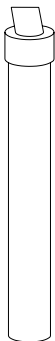
Touch Up Kit



⑩a
TUK

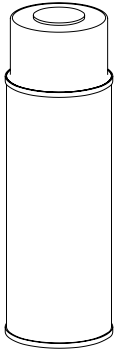
- Available in all finishes
- Used for final touch up and detailing
- Kit includes Touch Up Pen (TP), Fill Stick (FS), a bottle of touch up topcoat and a plastic storage case
- One per carton

Touch Up Pen



⑩a
TP
TP-12

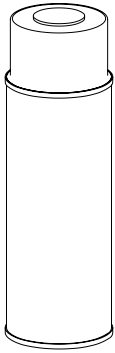
- Felt tip marker with matching stain or paint
- Available in all finishes
- Offered individually or 12 per carton



Touch Up Spray Can Primer

⑩a
TSCP
TSCP-12

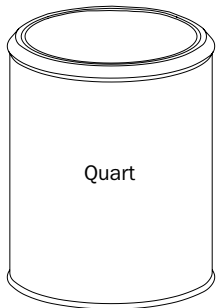
- Touch up topcoat paint for Cotton and White Finishes
- For use with Touch Up Spray Can Topcoat (TSCT)
- 13 oz. aerosol spray can
- Offered individually or 12 per carton
- Direct ship program



Touch Up Spray Can Topcoat

⑩a
TSCT
TSCT-12

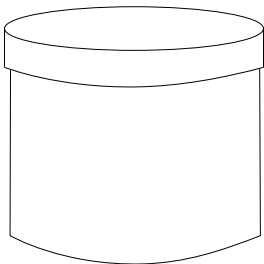
- Touch up topcoat paint for Cotton and White finishes
- For use with Touch Up Spray Can Primer (TSCP)
- 13 oz. aerosol spray can
- Offered individually or 12 per carton
- Direct ship program



Touch Up Quart

⑩a
Stain
QST
Paint
QP
Clear Sealer/Topcoat
QCST

- Matching stain, paint, and clear sealer/topcoat
- Available in quarts only
- Direct ship program



Putty

⑩a
PUTTY

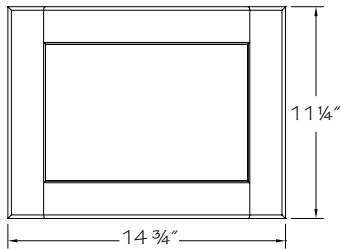
- 4 oz. jar
- Available in Cotton and White only

Sales Doors

(10a)

SLDO14.75X11.25

Sales Door

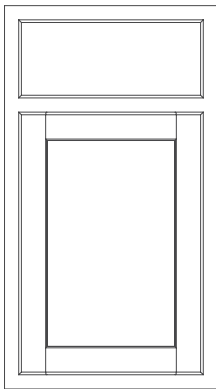


(10a)

SLDO14.75X11.25

- Available in all door styles, species and finishes
- Includes door only
- One per carton

Vanity Front Sample



(10a)

VF12
VF15

- Available in all door styles, species and finishes
- Includes face frame, door, and drawer front from a VB12 or VB15 Vanity cabinet
- Door and drawer front sizes may vary depending on full or partial overlay
- One per carton

How to Use This Section

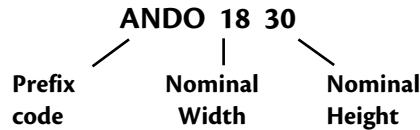
This guide details how to understand the replacement door(s) and drawer front nomenclature.

To choose doors and drawer fronts for special decorative applications, use the Sizes section and look in the appropriate overlay column to determine which doors and drawer fronts are needed. Then look up the door(s) and drawer front(s) in the Price List catalog under the price column number appropriate to your door style.

Accessory Non-Drilled Door Information (ANDO)

Accessory non-drilled doors are not prepared for hinges. Accessory non-drilled doors are shipped with pliable bumpers attached. Accessory non-drilled glass door, mullion glass and prairie doors are available on only certain sizes which are designated with an * symbol.

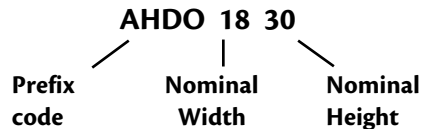
Accessory non-drilled doors and drawer fronts are coded for easy reference. The prefix indicates door and usage. The first two digits indicate nominal width and the second two digits indicate nominal height.



Accessory Hinged Door Information (AHDO)

Accessory Hinged doors are prepared for hinges. Replacement doors are shipped with pliable bumpers attached.

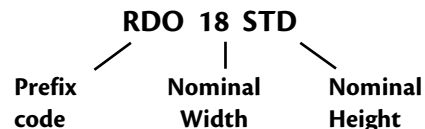
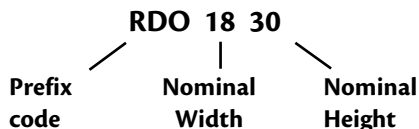
Replacement doors are coded for easy reference. The prefix indicates door usage. For replacement doors the first two digits indicate nominal width and the second two digits indicate nominal height.



Replacement Door and Drawer Front Information (RDO and RDF)

Replacement doors are prepared for hinges. Replacement doors and drawer fronts are shipped with pliable bumpers attached.

Replacement doors and drawer fronts are coded for easy reference. The prefix indicates door or drawer and usage. For replacement doors the first two digits indicate nominal width and the second two digits indicate nominal height. For replacement drawer fronts the first two digits indicate nominal height and second two digits indicate nominal width.



Prefix Codes

Prefix Code Index

AHDO	Accessory Hinged Door
ANDO	Accessory Non-Drilled Door
RDF	Replacement Drawer Front
RDO	Replacement Door
PKDC	Replacement Packaged Drawer Core

Replacement Door suffix codes are as follows:

B	Butt door
BWBT	Base Wastebasket Top Mount
TALL	Tall door
WA	Wall Angle

Accessory Non-Drilled Door specific prefix codes are as follows:

ANDOBCR33	Accessory non-drilled door for Base Corner Revolving 33
ANDOBCR36	Accessory non-drilled door for Base Corner Revolving 36
ANDOWBC24/27(xx)	Accessory non-drilled door for Wall Blind Corner 24/27 (all heights)

Replacement Drawer Front suffix codes are as follows:

STD	5.500 or 6.125 front height
DP1	9.000 or 9.750 front height
DP2	10.375 or 11.188 front height

PART	Traditional Overlay	Full Overlay
RDO24TALL	22 1/4 X 60 1/2	23 5/8 X 61 1/8
RDO18TALL	16 1/4 X 60 1/2	17 5/8 X 61 1/8
RDO15TALL	13 1/4 X 60 1/2	14 5/8 X 61 1/8
RDF45STD	5 1/2 X 20 3/4	6 1/8 X 22 1/8
RDF39STD	5 1/2 X 37 1/4	6 1/8 X 38 5/8
RDF36STD	5 1/2 X 34 1/4	6 1/8 X 35 5/8
RDF33STD	5 1/2 X 31 1/4	6 1/8 X 32 5/8
RDF30STD	5 1/2 X 28 1/4	6 1/8 X 29 5/8
RDF27STD	5 1/2 X 25 1/4	6 1/8 X 26 5/8
RDF24STD	5 1/2 X 22 1/4	6 1/8 X 23 5/8
RDF21STD	5 1/2 X 19 1/4	6 1/8 X 20 5/8
RDF18STD	5 1/2 X 16 1/4	6 1/8 X 17 5/8
RDF15STD	5 1/2 X 13 1/4	6 1/8 X 14 5/8
RDF12STD	5 1/2 X 10 1/4	6 1/8 X 11 5/8
RDF36DP2	10 3/8 X 34 1/4	11 3/16 X 35 5/8
RDF30DP2	10 3/8 X 28 1/4	11 3/16 X 29 5/8
RDF24DP2	10 3/8 X 22 1/4	11 3/16 X 23 5/8
RDF21DP2	10 3/8 X 19 1/4	11 3/16 X 20 5/8
RDF18DP2	10 3/8 X 16 1/4	11 3/16 X 17 5/8
RDF15DP2	10 3/8 X 13 1/4	11 3/16 X 14 5/8
RDF12DP2	10 3/8 X 10 1/4	11 3/16 X 11 5/8
RDF24DP1	9 X 22 1/4	9 3/4 X 23 5/8
RDF21DP1	9 X 19 1/4	9 3/4 X 20 5/8
RDF18DP1	9 X 16 1/4	9 3/4 X 17 5/8
RDF15DP1	9 X 13 1/4	9 3/4 X 14 5/8
RDF12DP1	9 X 10 1/4	9 3/4 X 11 5/8
RDO2742B	12 9/16 X 40	13 1/4 X 41 1/4
RDO942	7 1/4 X 40	8 5/8 X 41 1/4
RDO4542	20 3/4 X 40	22 1/8 X 41 1/4
RDO3942	17 3/4 X 40	19 1/8 X 41 1/4
RDO3342	14 3/4 X 40	16 1/8 X 41 1/4
RDO2742	11 3/4 X 40	13 1/8 X 41 1/4
RDO2442	22 1/4 X 40	23 5/8 X 41 1/4
RDO2142	19 1/4 X 40	20 5/8 X 41 1/4
RDO1842	16 1/4 X 40	17 5/8 X 41 1/4
RDO1542	13 1/4 X 40	14 5/8 X 41 1/4
RDO1242	10 1/4 X 40	11 5/8 X 41 1/4
RDO2736B	12 9/16 X 34	13 1/4 X 35 1/4
RDO936	7 1/4 X 34	8 5/8 X 35 1/4
RDO4536	20 3/4 X 34	22 1/8 X 35 1/4
RDO3936	17 3/4 X 34	19 1/8 X 35 1/4
RDO3336	14 3/4 X 34	16 1/8 X 35 1/4
RDO2736	11 3/4 X 34	13 1/8 X 35 1/4
RDO2436	22 1/4 X 34	23 5/8 X 35 1/4
RDO2136	19 1/4 X 34	20 5/8 X 35 1/4
RDO1836	16 1/4 X 34	17 5/8 X 35 1/4
RDO1536	13 1/4 X 34	14 5/8 X 35 1/4
RDO1236	10 1/4 X 34	11 5/8 X 35 1/4
RDO2730B	12 9/16 X 28	13 1/4 X 29 1/4

PART	Traditional Overlay	Full Overlay
RDO930	7 1/4 X 28	8 5/8 X 29 1/4
RDO4530	20 3/4 X 28	22 1/8 X 29 1/4
RDO3930	17 3/4 X 28	19 1/8 X 29 1/4
RDO3330	14 3/4 X 28	16 1/8 X 29 1/4
RDO2730	11 3/4 X 28	13 1/8 X 29 1/4
RDO2430	22 1/4 X 28	23 5/8 X 29 1/4
RDO2130	19 1/4 X 28	20 5/8 X 29 1/4
RDO1830	16 1/4 X 28	17 5/8 X 29 1/4
RDO1530	13 1/4 X 28	14 5/8 X 29 1/4
RDO1230	10 1/4 X 28	11 5/8 X 29 1/4
RDO927	7 1/4 X 25	8 5/8 X 26 1/4
RDO1527	13 1/4 X 25	14 5/8 X 26 1/4
RDO1827	16 1/4 x 25	17 5/8 x 26 1/4
RDO1824BWB	16 1/4 X 21 1/2	17 5/8 X 22 3/4
RDO2724B	12 9/16 X 21 1/2	13 1/4 X 22 3/4
RDO4524	20 3/4 X 21 1/2	22 1/8 X 22 3/4
RDO3924	17 3/4 X 21 1/2	19 1/8 X 22 3/4
RDO3324	14 3/4 X 21 1/2	16 1/8 X 22 3/4
RDO2724	11 3/4 X 21 1/2	13 1/8 X 22 3/4
RDO2424	22 1/4 X 21 1/2	23 5/8 X 22 3/4
RDO2124	19 1/4 X 21 1/2	20 5/8 X 22 3/4
RDO1824	16 1/4 X 21 1/2	17 5/8 X 22 3/4
RDO1524	13 1/4 X 21 1/2	14 5/8 X 22 3/4
RDO1224	10 1/4 X 21 1/2	11 5/8 X 22 3/4
RDO2721B	12 9/16 X 18 1/2	13 1/4 X 19 3/4
RDO3321	14 3/4 X 18 1/2	16 1/8 X 19 3/4
RDO2421	22 1/4 X 18 1/2	23 5/8 X 19 3/4
RDO2121	19 1/4 X 18 1/2	20 5/8 X 19 3/4
RDO1821	16 1/4 X 18 1/2	17 5/8 X 19 3/4
RDO1521	13 1/4 X 18 1/2	14 5/8 X 19 3/4
RDO1221	10 1/4 X 18 1/2	11 5/8 X 19 3/4
RDO3918	17 3/4 X 16	19 1/8 X 17 1/4
RDO3318	14 3/4 X 16	16 1/8 X 17 1/4
RDO2418	22 1/4 X 16	23 5/8 X 17 1/4
RDO1818	16 1/4 X 16	17 5/8 X 17 1/4
RDO1518	13 1/4 X 16	14 5/8 X 17 1/4
RDO3915	17 3/4 X 13	19 1/8 X 14 1/4
RDO3315	14 3/4 X 13	16 1/8 X 14 1/4
RDO1815	16 1/4 X 13	17 5/8 X 14 1/4
RDO1515	13 1/4 X 13	14 5/8 X 14 1/4
RDO3912	17 3/4 X 10	19 1/8 X 11 1/4
RDO1812	16 1/4 X 10	17 5/8 X 11 1/4
RDO1512	13 1/4 X 10	14 5/8 X 11 1/4
RDOBC24/2742	8 3/4 X 40	10 1/8 X 41 1/4
RDOBC24/2736	8 3/4 X 34	10 1/8 X 35 1/4
RDOBC24/2730	8 3/4 X 28	10 1/8 X 29 1/4
RDOUBLS	10 1/8 X 24 1/4	N/A
RDOUBCR36	10 1/4 X 25	10 15/16 X 26 1/4

PART	Traditional Overlay	Full Overlay
RDOBCR36	10 1/4 X 28	10 15/16 X 29 1/4
RDOBCR33	7 1/4 X 28	7 15/16 X 29 1/4
RDFBBC45/48STD	5 1/2 X 17 3/4	6 1/8 X 19 1/8
RDF33/2STD	5 1/2 X 14 3/4	6 1/8 X 16 1/8
RDF33/2DP1	9 x 14 3/4	9 3/4 x 16 1/8
RDF27/2STD	5 1/2 X 11 3/4	6 1/8 X 13 1/8

PART	Traditional Overlay	Full Overlay
AHDO1530WA	N/A	14 5/8 X 29 1/4
AHDO1536WA	N/A	14 5/8 X 35 1/4
AHDO1542WA	N/A	14 5/8 X 41 1/4
AHDO1830	16 1/4 X 28	17 5/8 X 29 1/4
AHDO1836	16 1/4 X 34	17 5/8 X 35 1/4
AHDO1842	16 1/4 X 40	17 5/8 X 41 1/4
AHDO3330	14 3/4 X 28	16 1/8 X 29 1/4
AHDO3336	14 3/4 X 34	16 1/8 X 35 1/4
AHDO3342	14 3/4 X 40	16 1/8 X 41 1/4
ANDO1221	10 1/4 X 18 1/2	11 5/8 X 19 3/4
ANDO1224	10 1/4 X 21 1/2	11 5/8 X 22 3/4
ANDO1230	10 1/4 X 28	11 5/8 X 29 1/4
ANDO1236	10 1/4 X 34	11 5/8 X 35 1/4
ANDO1242	10 1/4 X 40	11 5/8 X 41 1/4
ANDO1512	13 1/4 X 10	14 5/8 X 11 1/4
ANDO1515	13 1/4 X 15	14 5/8 X 14 1/4
ANDO1518	13 1/4 X 16	14 5/8 X 17 1/4
ANDO1521	13 1/4 X 18 1/2	14 5/8 X 19 3/4
ANDO1524	13 1/4 X 21 1/2	14 5/8 X 22 3/4
ANDO1527	13 1/4 X 25	14 5/8 X 26 1/4
ANDO1530	13 1/4 X 28	14 5/8 X 29 1/4
ANDO1536	13 1/4 X 34	14 5/8 X 35 1/4
ANDO1542	13 1/4 X 40	14 5/8 X 41 1/4
ANDO15TALL	13 1/4 X 60 1/2	14 5/8 X 61 1/8
ANDO1812	16 1/4 X 10	17 5/8 X 11 1/4
ANDO1815	16 1/4 X 13	17 5/8 X 14 1/4
ANDO1818	16 1/4 X 16	17 5/8 X 17 1/4
ANDO1821	16 1/4 X 18 1/2	17 5/8 X 19 3/4
ANDO1824	16 1/4 X 21 1/2	17 5/8 X 22 3/4
ANDO1827	16 1/4 X 25	17 5/8 X 26 1/4
ANDO1830	16 1/4 X 28	17 5/8 X 29 1/4
ANDO1836	16 1/4 X 34	17 5/8 X 35 1/4
ANDO1842	16 1/4 X 40	17 5/8 X 41 1/4
ANDO18TALL	16 1/4 X 60 1/2	17 5/8 X 61 1/8
ANDO2121	19 1/4 X 18 1/2	20 5/8 X 19 3/4
ANDO2124	19 1/4 X 21 1/2	20 5/8 X 22 3/4
ANDO2130	19 1/4 X 28	20 5/8 X 29 1/4
ANDO2136	19 1/4 X 34	20 5/8 X 35 1/4
ANDO2142	19 1/4 X 40	20 5/8 X 41 1/4
ANDO2418	22 1/4 X 16	23 5/8 X 17 1/4
ANDO2421	22 1/4 X 18 1/2	23 5/8 X 19 3/4
ANDO2424	22 1/4 X 21 1/2	23 5/8 X 22 3/4
ANDO2430	22 1/4 X 28	23 5/8 X 29 1/4
ANDO2436	22 1/4 X 34	23 5/8 X 35 1/4
ANDO2442	22 1/4 X 40	23 5/8 X 41 1/4
ANDO24TALL	22 1/4 X 60 1/2	23 5/8 X 61 1/8
ANDO2721B	12 9/16 X 18 1/2	13 1/4 X 19 3/4
ANDO2724	11 3/4 X 21 1/2	13 1/8 X 22 3/4
ANDO2724B	12 9/16 X 21 1/2	13 1/4 X 22 3/4
ANDO2730	11 3/4 X 28	13 1/8 X 29 1/4
ANDO2730B	12 9/16 X 28	13 1/4 X 29 1/4
ANDO2736	11 3/4 X 34	13 1/8 X 35 1/4
ANDO2736B	12 9/16 X 34	13 1/4 X 35 1/4
ANDO2742	11 3/4 X 40	13 1/8 X 41 1/4
ANDO2742B	12 9/16 X 40	13 1/4 X 41 1/4
ANDO3315	14 3/4 X 13	16 1/8 X 14 1/4
ANDO3318	14 3/4 X 16	16 1/8 X 17 1/4

PART	Traditional Overlay	Full Overlay
ANDO3321	14 3/4 X 18 1/2	16 1/8 X 19 3/4
ANDO3324	14 3/4 X 21 1/2	16 1/8 X 22 3/4
ANDO3330	14 3/4 X 28	16 1/8 X 29 1/4
ANDO3336	14 3/4 X 34	16 1/8 X 35 1/4
ANDO3342	14 3/4 X 40	16 1/8 X 41 1/4
ANDO3912	17 3/4 X 10	19 1/8 X 11 1/4
ANDO3915	17 3/4 X 13	19 1/8 X 14 1/4
ANDO3918	17 3/4 X 16	19 1/8 X 17 1/4
ANDO3921	17 3/4 X 18 1/2	19 1/8 X 19 3/4
ANDO3924	17 3/4 X 21 1/2	19 1/8 X 22 3/4
ANDO3930	17 3/4 X 28	19 1/8 X 29 1/4
ANDO3936	17 3/4 X 34	19 1/8 X 35 1/4
ANDO3942	17 3/4 X 40	19 1/8 X 41 1/4
ANDO4524	20 3/4 X 21 1/2	22 1/8 X 22 3/4
ANDO4530	20 3/4 X 28	22 1/8 X 29 1/4
ANDO4536	20 3/4 X 34	22 1/8 X 35 1/4
ANDO4542	20 3/4 X 40	22 1/8 X 41 1/4
ANDO927	7 1/4 X 25	8 5/8 X 26 1/4
ANDO930	7 1/4 X 28	8 5/8 X 29 1/4
ANDO936	7 1/4 X 34	8 5/8 X 35 1/4
ANDO942	7 1/4 X 40	8 5/8 X 41 1/4
ANDOBBCR33	7 1/4 X 28	7 15/16 X 29 1/4
ANDOBBCR36	10 1/4 X 28	10 15/16 X 29 1/4
ANDOUBCR36	10 1/4 X 25	11 5/8 X 26 1/4
ANDOWBC24/2730	8 3/4 X 28	10 1/8 X 29 1/4
ANDOWBC24/2736	8 3/4 X 34	10 1/8 X 35 1/4
ANDOWBC24/2742	8 3/4 X 40	10 1/8 X 41 1/4

CODE	PAGE	CODE	PAGE	CODE	PAGE	CODE	PAGE	CODE	PAGE
1		CTNON	B1			SFEP	E10		
12	C8	CTR	K3	M		SHCLP	L4	W	
15	C8	CTSB	K1	MBUS	K4	SHCLPLK12L	L5	W	D1-D2
18	C8	CVLM	K2	MCU	A5	SHCLPLK12R	L5	WA	D5
1FT	C9	CVLR	K3	MRNON	B1	SHO	K5	WBC	D4
1ST	C9					SHSUPBPK	L5	WCC	D9
		D		N		SHSUPC	L5	WEP	D8
		DEP	H2	NBM	K4	SHSUPPK	L5	WF1	D8
2		DKDDT	H1			SLDO	L11	WF3	D8
21	C8	DOCK	F4	O		SM	K5	WF6	D8
24	C8			OCSP	F4			WFC3	D8
2ST	C9			OCU	F3	T		WHNON	B1
		F		ODK	F3	TEP	F5	WL	D6
		FDS	C8	OSC	K3	TF3	F4, G6	WLY	A6
9		FRM	C10			TF6	F4, G6	WMS	D7
9	C8	FS	J2, L9	P		TFB	K5	WR	D2
				P	K6, K8	TKCL	E11, F5, G7	WSC	D6
A		G		PB	E3, J1	TKCUL	I4	WSM	K5
ACM	K2	GDEFESMBB	L1	PBF	K7, K9	TP	L9		
		GDEFESMBBIL	L2	PN	K6-K9	TSCP	L10		
B		GDEFESMBBIR	L2	PUTTY	L10	TSCT	L10		
B	E1-E2	GDEFESMBBO	L2			TUK	L9		
BACKPLUG2H	L6	GDESM	L1	Q		U			
BBC	E6	GDESMIL	L1	QCST	L10	U	F1-F2		
BCFS	E7	GDESMIR	L1	QP	L10	UAP	J1		
BCRB	E6	GDESMOL	L1	QR	K4	UB	I1		
BD	E2	GDESMOR	L1	QST	L10	UBCR	I3		
BEP	E9	GDESMPB	L1	R		UBD	I2		
BEPF	E10	GDEUMFESA	L2	RBS	J3	UBLS	I3		
BK	D6	GDEUMFESAL	L2	REP	F5	UDEP	H2		
BK	D6	GDEUMFESAPB	L2	REPF1	F5	UF	F2		
BS	J2	GDEUMFESAR	L2	RMBFESMBBGDE	L3	URSF	I3		
BSOS	E8			RMBSMGDE	L3	USB	I2		
BTK	J4	H		RMBSMGDEPB	L3	USK	J2		
BWBFMK	E8	HDS	C8	RMBUMFESAGDE	L3	UTK	E9		
BWBT	E3	HIN170FRM	L4	RMBUMFESAGDEDKDSET	L3	V			
BWBTA	E8	HINBIFOLD	L4	ROT	J5	V	K1		
		HINFM	L4	RPLRMTGBRKT_BWBTSET	L2	VB	G1		
		HINFOL6WY	L4	RTS	J3	VCD	G3-G4		
C		HINTOL6WY	L4	RVS	J3	VD	G5		
CCK	L8	HMD	A4	RWS	J3	VF	L11		
CCM	K2	HSD	E10	S		VNTCLPPK	L5		
CCPC	L8			SADO	L6	VS	G1-G3		
CDC	L8	I		SB	E4	VSBT	G2-G3		
CDI	E9	ICM	K3	SBA	E4	VTK	J5		
CFO	C9	INSTALLSCREWS	L6	SCM	K5	VWR	G5		
CFTK	E10, F5, G6			SFA	E4				
CLNON	B1	L		SFB	E9				
CLY	A3	LKDVUMFESAGDEL	L2	SFDB	E9				
CM	K3	LKDVUMFESAGDER	L2						
CNS	A2	LS2	D9						
CRK	L9								
CSM	K4								
CSO	C10								

Notes



QUALITY

CABINETS.

WoodStar® Series

QUALITY CABINETS

QualityCabinets™ cabinetry make better use of nature's hardwood, while providing a quality product. The wide range of wood colors and grain variations are natural characteristics of the wood and not a defect.

CABINET FRAMES

3/4" thick, kiln dried, solid hardwood joined with pocket screw joinery construction.

END PANELS

3/8" thick engineered wood is permanently finished on 2 sides with a laminate resistant to water and most household chemicals. End panels are machined to accept tops, bottoms, and backs. Ends are drilled to accept adjustable shelves. Tall cabinet end panels are 1/2" thick.

WALL TOPS AND BOTTOMS

3/8" thick engineered wood is permanently finished on 2 sides with a laminate resistant to water and most household chemicals.

BASE BOTTOM

3/8" thick engineered wood is permanently finished on 1 side with a laminate resistant to water and most household chemicals.

SHELVES

1/2" thick engineered wood is permanently finished on 2 sides for full depth shelves. Half-depth base cabinet shelves in 33" wide cabinets and wider are finished 1 side, half-depth base cabinet shelves in cabinets less than 33" wide are finished two sides with a laminate resistant to water and most household chemicals. Front edge is edge banded with melamine banding. Wall and Base cabinets have adjustable shelves supported by adjustable shelf clips.

Half-depth shelves in base cabinets 33" wide cabinets and wider have a matching full-length support apron secured to the underside near the front edge for additional support. Shelves are designed to support 15 lbs. per square foot, not to exceed 50 lbs. per shelf.

BOOKCASE SHELVES

3/4" thick engineered wood, permanently laminated two sides to match exterior finish of cabinet. All bookcase units have adjustable shelves. Front edge is edge banded.

WALL BACKS

3/8" thick engineered wood finished on one side with a laminate resistant to water and household chemicals. Full-length dadoes in back allow tops and bottoms to be captured, stapled and glued.

BASE BACKS

1/4" thick engineered wood finished on one side with a laminate resistant to water and household chemicals. Extends full-length to floor.

WALL HANGRAILS

3/8" thick engineered wood full-length across top and bottom secured with staples.

BASE HANGRAILS

1/4" engineered wood full-length across top secured with staples.

DRAWER GUIDES

75 pound rated drawer guide system, side mounted, 3/4 extension with self adjusting mounting brackets at rear. Drawer slides are fastened to the drawer box with screws.

DRAWER FRONTS

3/4" solid hardwood on all wood styles. Laminate and substrate on laminate drawer fronts use the same materials as corresponding door style.

DRAWER BOX

1/2" thick sides, fronts and backs of engineered wood. Top edges are finished with melamine banding. Side surfaces are finished with a laminate resistant to water and most household chemicals. 1/4" thick engineered wood bottom panel is finished on one side with same laminate. Laminate/edgebanding finish is Natural Maple. Drawer sides are rabbeted to join the drawer box fronts and backs. Each corner is joined with glue and stapled. Drawers 30" and wider have 3/8" thick bottoms. Standard drawer interior height is 3 5/8". Base cabinet interior front-to-back depth is 20 11/16", vanity is 17 15/16".

OPTIONAL DOVETAIL WOOD DRAWER WITH UNDERMOUNT GUIDE SYSTEM

5/8" sides, fronts and backs are solid hardwood. Drawer sides, fronts and backs are joined with half blind dovetail joints.

Nominal 3/16" plywood drawer bottom is laminate surface for easy cleaning. Drawer bottom is joined to the drawer sides, front and back on all 4 sides with a groove.

Hardwood drawer components are finished with clear sealer and topcoat on exposed surfaces. Standard drawer interior height is 2 3/4"; deep drawers are 5 3/4". Base cabinet interior front-to-back depth is 19 13/32", vanity is 16 7/16"

Full extension soft close undermount guide system is concealed, self closing and can be adjusted to align the drawer head.

TOEKICK

3/8" thick engineered wood. Toe kick extends from floor to bottom of cabinet, closing the toe kick area. Toe kick cover is required and sold separately.

HINGES

Traditional overlay door styles come with fully concealed European style hinges that feature 105° opening, 6-way adjustment, and a self-closing feature.

Full overlay door styles come with fully concealed European style hinges that feature 107° opening, 6-way adjustment, and a self closing feature.

Some corner cabinets using concealed hinges will have hinges with wider opening capability for improved access.

CARTONING

Select door styles and/or finishes are available with face wrap. Not all cabinets are available with face wrap. Contact your Customer Service Representative for details.

CERTIFIED CABINET AND FACILITY

QualityCabinets™ cabinetry carries the seal of the Kitchen Cabinet Manufacturers Association (KCMA) Certification Program, which assures that our cabinets meet or exceed the rigorous standards set by the American National Standards Institute (ANSI). Our cabinets are also independently tested to ANSI/KCMA A161.1-2000 and paragraph 611-1.1, "HUD Minimum Property Standards-Housing 4910.1" 9-8-86.

QualityCabinets demonstrates its commitment to environmental sustainability through meeting or exceeding the requirements as outlined in the Environmental Stewardship Program certification, administered by the KCMA.

All QualityCabinets facilities have also obtained ISO 14001 certificate of approval, demonstrating our commitment to reducing the impact of operations on the environment.



WARNING: This product can expose you to chemicals including formaldehyde, which is known to the State of California to cause cancer. For more information go to www.P65Warnings.ca.gov.

Construction



Base Cabinets

1. Constructed for daily use (3/8" thick end panels attached with wood-to-wood glue and staples)
2. Moisture resistant (natural woodgrain laminate interiors)
3. Strong and sturdy frames (1½" wide front, 3/4" thick, solid wood)
4. Reinforced components (1/4" thick engineered wood back extends all the way to the floor for added strength to reinforce back corners of the cabinet)
5. Base Hangrails are 1/4" thick Engineered Wood full-length across top secured with staples
6. 3/8" thick engineered wood I-beams
7. 1/2" thick engineered wood drawers feature natural woodgrain laminate interiors
8. 3/4 extension, self-aligning white drawer guides are side-mounted and hold up to 75 lbs.
9. Solid hold under-shelf support (locking shelf clips hold shelf securely; cabinets 33" and wider have support cleats as shown)
10. Strong shelves (1/2" thick engineered wood; natural woodgrain in color; require no shelf paper)



QualityCabinets™ Woodstar® Series offers a 3-Year Limited Warranty from the date of purchase. Full warranty details are available from your dealer or at www.QualityCabinets.com.

Learn more about planning
and visit the Idea Gallery at
www.QualityCabinets.com

